

# PRODUCT INFORMATION PACKET



Model No: A4K17DH19A

Catalog No: E100002.00

..1/2HP..1725RPM.S56.DP.115/230V.1PH.60HZ.CONT.40C.1.25SF.RIGID...GENERAL  
PURPOSE.AUTOMATIC.....

Open Drip Proof (ODP)



Regal and Leeson are trademarks of Regal Beloit Corporation or one of its affiliated companies.

©2018 Regal Beloit Corporation, All Rights Reserved. MC017097E





### Nameplate Specifications

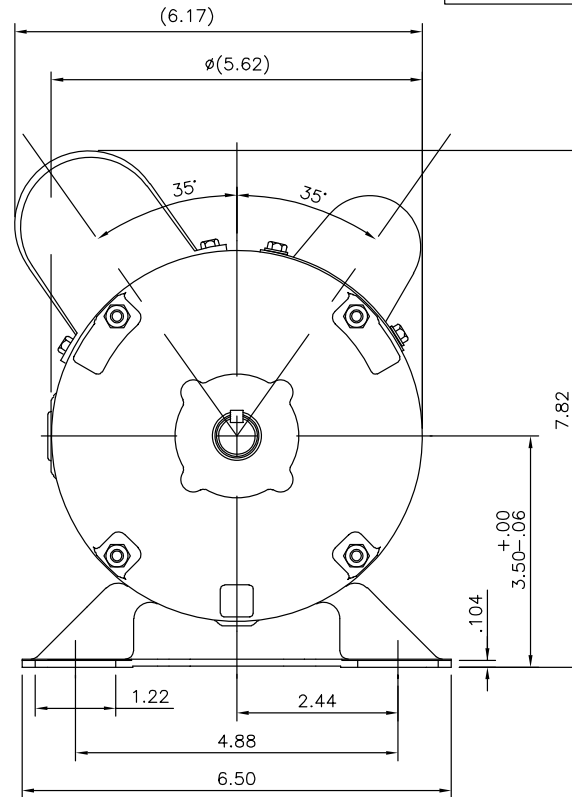
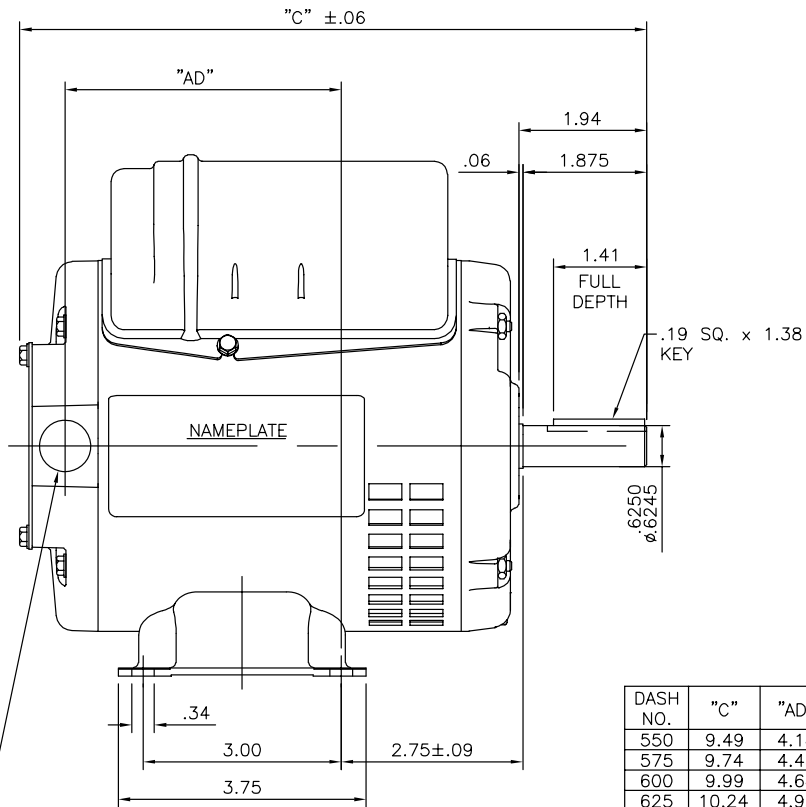
Output HP	<b>0.50 Hp</b>	Output KW	<b>0.37 kW</b>
Frequency	<b>60 Hz</b>	Voltage	<b>115/230 V</b>
Current	<b>4.6/2.3 A</b>	Speed	<b>1745 rpm</b>
Service Factor	<b>1.25</b>	Phase	<b>1</b>
Efficiency	<b>76.2 %</b>	Duty	<b>Continuous</b>
Insulation Class	<b>B</b>	Design Code	<b>N</b>
KVA Code	<b>K</b>	Frame	<b>S56</b>
Enclosure	<b>Drip Proof</b>	Overload Protector	<b>Automatic</b>
Ambient Temperature	<b>40 °C</b>	Drive End Bearing Size	<b>6203</b>
Opp Drive End Bearing Size	<b>6203</b>	UL	<b>Recognized</b>
CSA	<b>Y</b>	CE	<b>Y</b>
IP Code	<b>12</b>		

### Technical Specifications

Electrical Type	<b>Capacitor Start Capacitor Run</b>	Starting Method	<b>Across The Line</b>
Poles	<b>4</b>	Rotation	<b>Selective Counterclockwise</b>
Mounting	<b>Rigid base</b>	Motor Orientation	<b>HORIZONTAL</b>
Drive End Bearing	<b>BALL</b>	Opp Drive End Bearing	<b>BALL</b>
Frame Material	<b>Rolled Steel</b>	Shaft Type	<b>NEMA 56</b>
Overall Length	<b>11.49 in</b>	Frame Length	<b>7.50 in</b>
Shaft Diameter	<b>0.625 in</b>	Shaft Extension	<b>1.88 in</b>
Assembly/Box Mounting	<b>F1 ONLY</b>		
Outline Drawing	<b>A-SS404118-750</b>	Connection Diagram	<b>005053.40</b>

**This is an uncontrolled document once printed or downloaded and is subject to change without notice. Date Created: 10/15/2018**

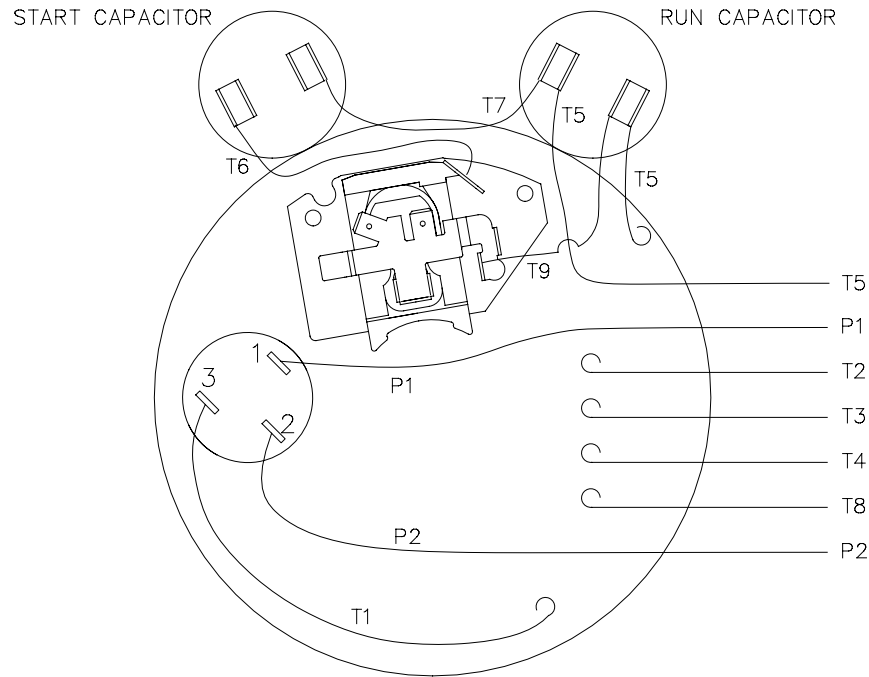
SS404118



DASH NO.	"C"	"AD"	ORACLE PART REV.
550	9.49	4.18	000
575	9.74	4.43	000
600	9.99	4.68	000
625	10.24	4.93	000
650	10.49	5.18	000
675	10.74	5.43	000
700	10.99	5.68	000
725	11.24	5.93	000
750	11.49	6.18	000
800	11.99	6.68	000

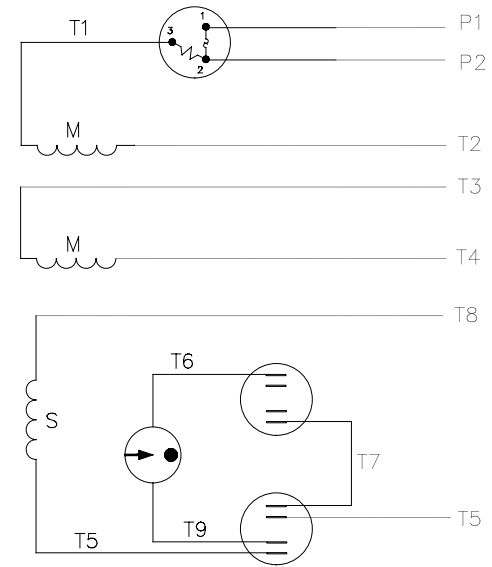
1/2-14 NPT CONDUIT HOLE (PLUGGED)

			TOLERANCES UNLESS SPECIFIED		<b>REGAL</b> ™ Regal Beloit America, Inc.	DRAWN PVR 11/28/14
			DEC.	INCHES		CHK VS 11/28/14
			.X	±.1		APPD
			.XX	±.03	TITLE OUTLINE	SCALE NTS
B	UPDATED DASH VALUES	PST 03/09/2015	VS	.XXX ±.005	S56 FRAME RIGID MOUNT – DRIP PROOF	REF 031619
A	ADDED DASH VALUES PER ECO-0066022	UD 12/17/14	ST	.XXXX ±.0005	MAT'L.	FMF
NO.	REVISION	BY & DATE	CHK	ANG ±7'30"	FINISH	PREV
THIS DRAWING IN DESIGN AND DETAIL IS OUR PROPERTY AND MUST NOT BE USED EXCEPT IN CONNECTION WITH OUR WORK ALL RIGHTS OF DESIGN AND INVENTION ARE RESERVED THIS IS AN ELECTRONICALLY GENERATED DOCUMENT – DO NOT SCALE THIS PRINT				RFP	CAD FILE SS404118	SIZE DRAWING NO. PAGE 1 OF 1 REV.
				DIST WP		A SS404118 B



VIEW FROM OUTSIDE OF MOTOR AT SWITCH END

LINE LEADS



	ROTATION FACING LEAD END	L1	L2	JOIN	INSULATE SEPARATE
HIGH VOLT	C.C.W.	P1	T4, T5	T2, T3 T8	P2
	C.W.	P1	T4, T8	T2, T3 T5	P2
LOW VOLT	C.C.W.	P1	T2, T4 T5	P2 T3, T8	---
	C.W.	P1	T2, T4 T8	P2 T3, T5	---

		TOLERANCES UNLESS SPECIFIED		DRAWN PG 7/2/02	
		DEC.	INCHES	CHK	
		.X	±.1	APPD	
		.XX	±.01	SCALE 5=8	
		.XXX	±.005	REF 005053.01	
A	CHANGED LOGO TO REGAL	PST	2/1/16	SKM	.XXXX ±.0005
NO.	REVISION	BY & DATE	CHK	ANG	±1/2°
THIS DRAWING IN DESIGN AND DETAIL IS OUR PROPERTY AND MUST NOT BE USED EXCEPT IN CONNECTION WITH OUR WORK ALL RIGHTS OF DESIGN AND INVENTION ARE RESERVED THIS IS AN ELECTRONICALLY GENERATED DOCUMENT - DO NOT SCALE THIS PRINT				RFP	CAD FILE 00505340
				DIST	SIZE A
				DRAWING NO.	005053-40
				REV.	A



TITLE EXTERNAL WIRING DIAGRAM  
TYPE "K" W/PROTECTOR  
MAT'L. DUAL VOLTAGE - DUAL ROTATION  
FINISH



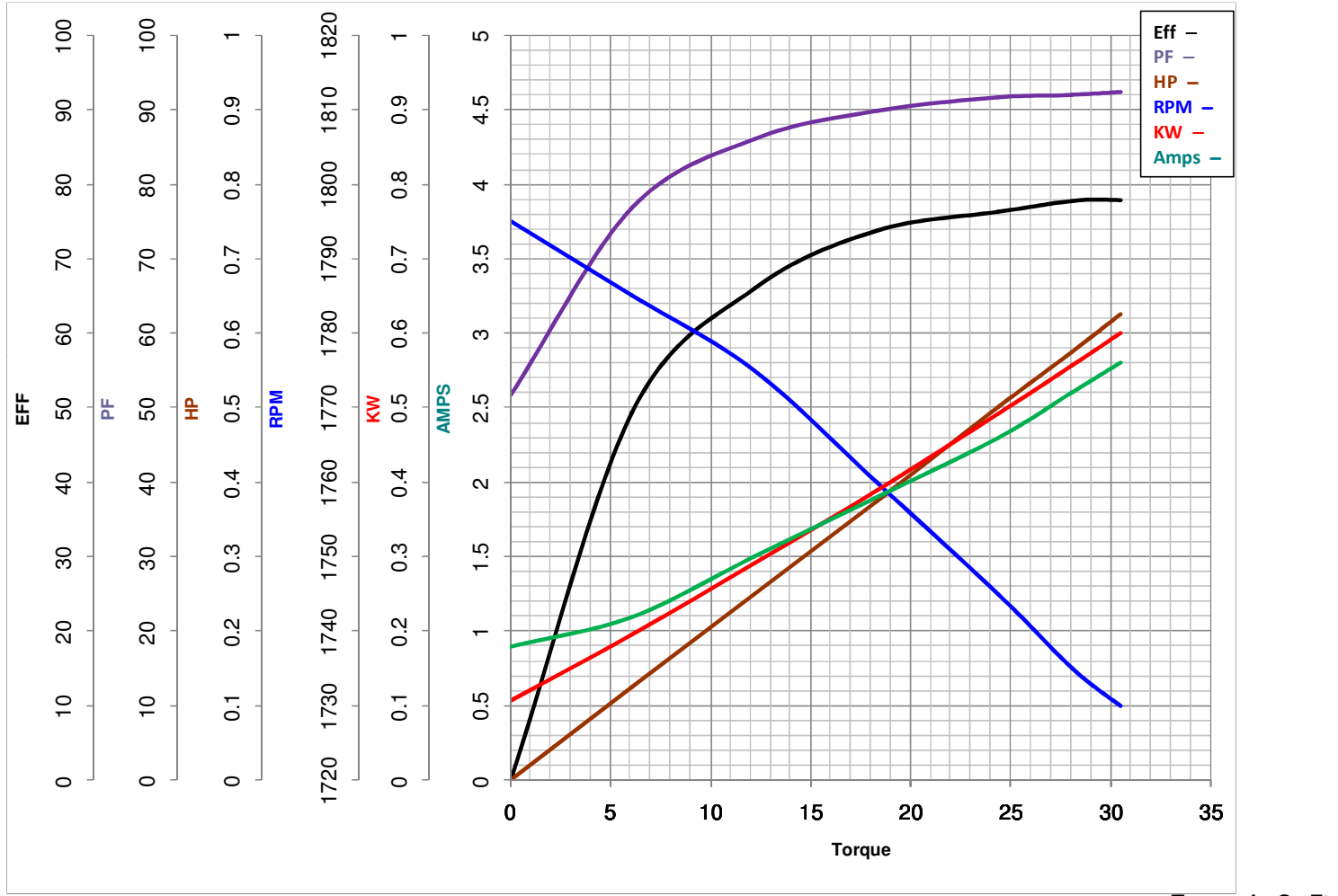
**LEESON ELECTRIC CORPORATION**  
 TYPICAL PERFORMANCE CURVE for AC MOTOR

Model No E100002.00

Catalog No E100002.00

Curve at 230 Volts      HP 0.50      PHASE 1  
60 HZ  
0.5 HP      VOLTS 115/230

HZ 60      RPM 1745



FL TORQUE	<u>24.4</u> Oz.Ft	FL AMPS	<u>4.6/2.3</u>
BD TORQUE	<u>60.4</u> Oz.Ft	PU TORQUE	<u>75.4</u> Oz.Ft
LR TORQUE	<u>75.6</u> Oz.Ft	LR AMPS	<u>17.7</u>
WINDING	BE484110-3	Date	4/19/2018