

PRODUCT INFORMATION PACKET



Model No: A4P17NZ141A

Catalog No: A099900.00

1/3HP..1800RPM.48Z.TEAO.115/230V.1PH.60HZ.CONT.40C.1.0SF.RIGID BASE.....AG FAN.....

Agricultural



Regal and Leeson are trademarks of Regal Beloit Corporation or one of its affiliated companies.

©2018 Regal Beloit Corporation, All Rights Reserved. MC017097E





Nameplate Specifications

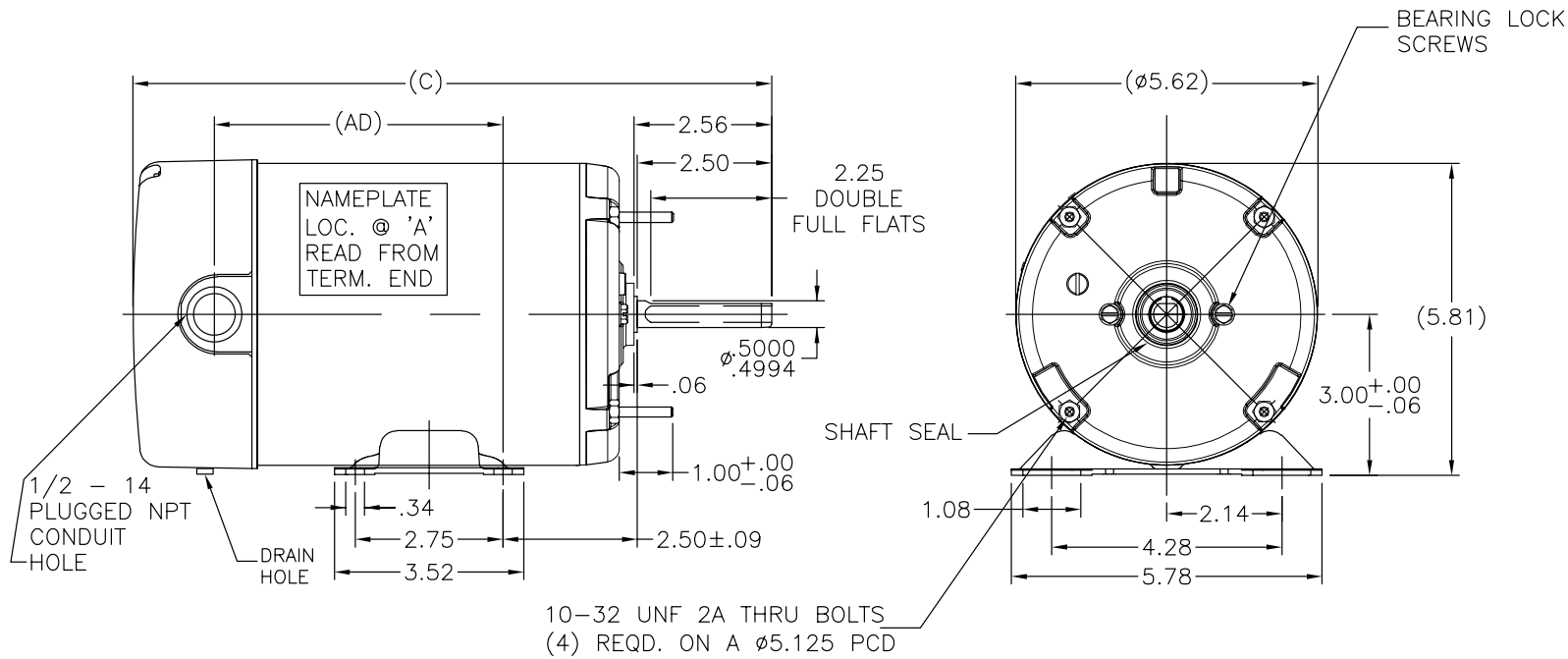
Output HP	0.33 Hp	Output KW	0.25 kW
Frequency	60 Hz	Voltage	115/230 V
Current	3.3/1.7 A	Speed	1625 rpm
Service Factor	1	Phase	1
Efficiency	68 %	Duty	Continuous
Insulation Class	F	Design Code	N
KVA Code	D	Frame	48Z
Enclosure	Totally Enclosed Air Over	Overload Protector	Automatic Lock Rotor Only
Ambient Temperature	40 °C	Drive End Bearing Size	6203
Opp Drive End Bearing Size	6203	UL	Recognized
CSA	Y	CE	N
IP Code	43		

Technical Specifications

Electrical Type	Permanent Split Capacitor	Starting Method	Across The Line
Poles	4	Rotation	Selective Counterclockwise
Mounting	Round - Extended Studs	Motor Orientation	HORIZONTAL
Drive End Bearing	BALL	Opp Drive End Bearing	BALL
Frame Material	Rolled Steel	Shaft Type	Single Special Extension
Overall Length	10.89 in	Frame Length	5.00 in
Shaft Diameter	0.500 in	Shaft Extension	2.5 in
Assembly/Box Mounting	F1 ONLY		
Outline Drawing	A-SS404060-500	Connection Diagram	A-005109-15

This is an uncontrolled document once printed or downloaded and is subject to change without notice. Date Created: 10/15/2018

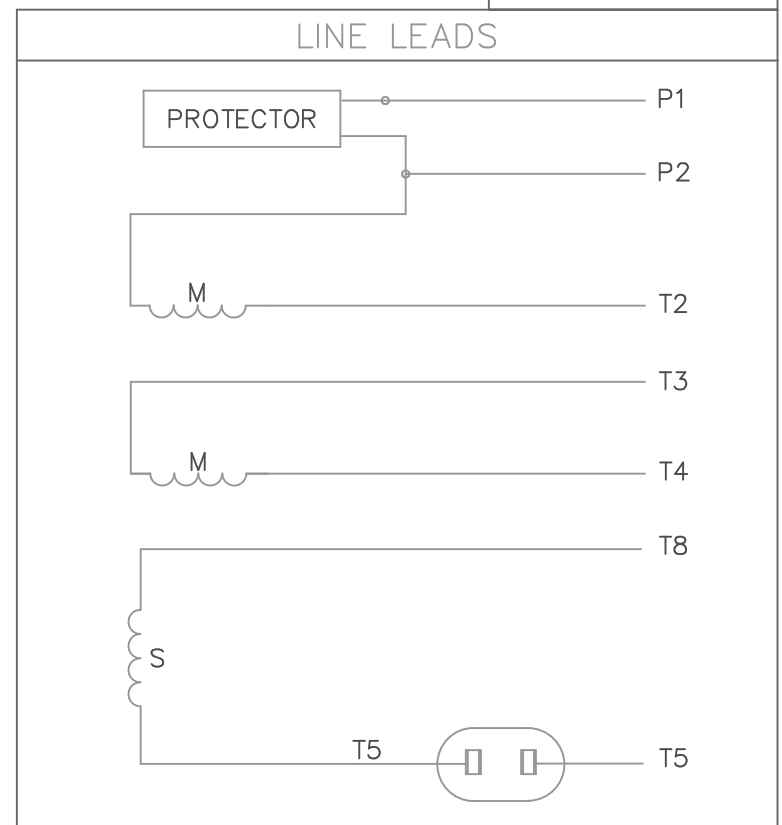
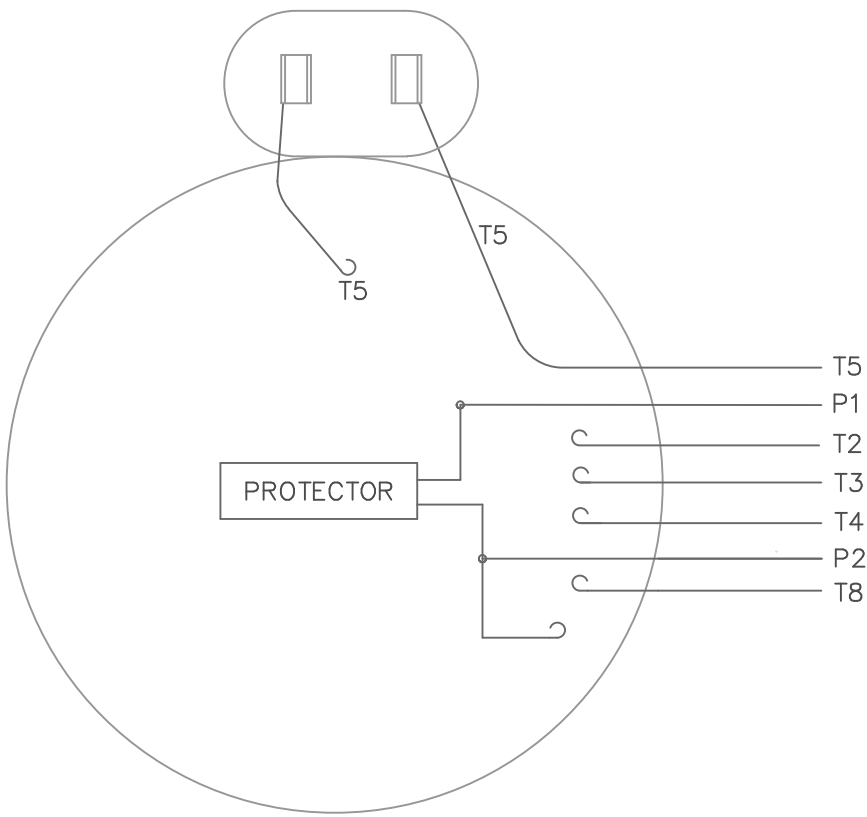
SS404060




DASH NO.	"C"	"AD"
475	10.64	4.12
500	10.89	4.37
525	11.14	4.62
550	11.39	4.87
600	11.89	5.37

		TOLERANCES UNLESS SPECIFIED		LEESON	ELECTRIC MOTORS GEARMOTORS AND DRIVES	DRAWN				
		DEC.	INCHES			KR	02/05/2014			
		.X	±.1			CHK	VS	02/05/2014		
		.XX	±.03			APPD				
		.XXX	±.005		TITLE	SCALE	1:1			
					OUTLINE - PSC - TENV ENCLOSURE	REF	OLPR132173			
A	UPDATED NAMEPLATE LOCATION PER ECO-0062305	PST	12/5/14	PI	.XXXX	±.0005	MAT'L.	FMF	A099899.00	
NO.	REVISION	BY & DATE	CHK	ANG	±7'30"	FINISH	PREV			
THIS DRAWING IN DESIGN AND DETAIL IS OUR PROPERTY AND MUST NOT BE USED EXCEPT IN CONNECTION WITH OUR WORK ALL RIGHTS OF DESIGN AND INVENTION ARE RESERVED THIS IS AN ELECTRONICALLY GENERATED DOCUMENT - DO NOT SCALE THIS PRINT				RFP	CAD FILE	SS404060	SIZE	DRAWING NO.	PAGE OF	REV.
				DIST	WP		A	SS404060		A

VIEW FROM OUTSIDE OF MOTOR AT SWITCH END.



	ROTATION FACING LEAD END	L1	L2	JOIN	INSULATE SEPARATELY
HIGH VOLT	C.C.W.	P1	T4 T5	T2, T3 T8	P2
	C.W.	P1	T4 T8	T2, T3 T5	P2
LOW VOLT	C.C.W.	P1	T2, T4 T5	P2, T3 T8	--
	C.W.	P1	T2, T4 T8	P2, T3 T5	--

				TOLERANCES UNLESS SPECIFIED		 ELECTRIC MOTORS GEARMOTORS AND DRIVES		DRAWN PG 3/4/02		
				DEC.	INCHES			CHK		
				.X	±.1			APPD		
				.XX	±.01			SCALE 1=1		
				.XXX	±.005			REF 005109-01		
				.XXXX	±.0005	MAT'L. DECAL - 004011		FMF 102675		
NO.	REVISION	BY & DATE	CHK	ANG	±1/2'	FINISH		PREV		
THIS DRAWING IN DESIGN AND DETAIL IS OUR PROPERTY AND MUST NOT BE USED EXCEPT IN CONNECTION WITH OUR WORK ALL RIGHTS OF DESIGN AND INVENTION ARE RESERVED THIS IS AN ELECTRONICALLY GENERATED DOCUMENT - DO NOT SCALE THIS PRINT				RFP		CAD FILE 00510915		SIZE A	DRAWING NO. 005109-15	REV.
				DIST						

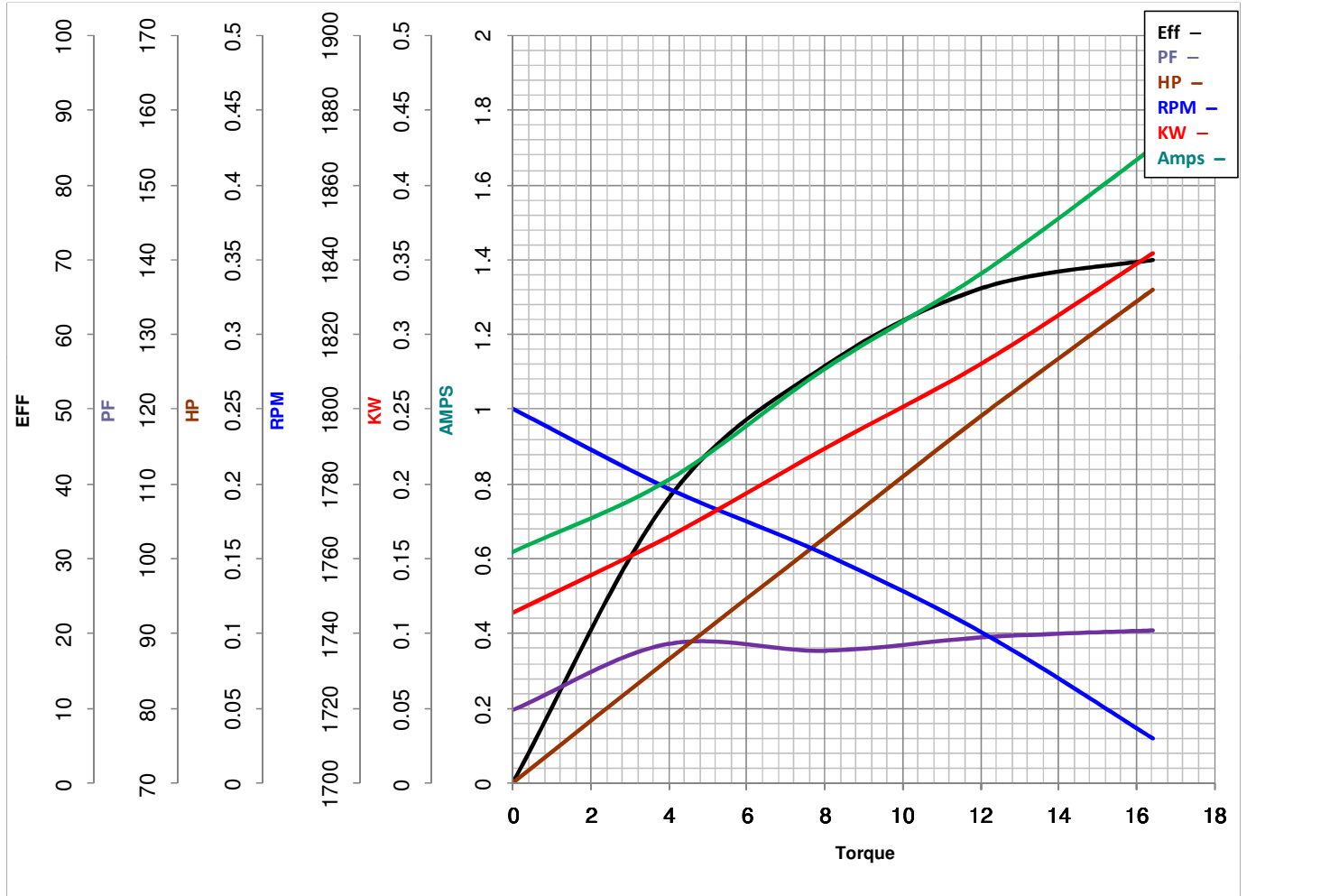


LEESON ELECTRIC CORPORATION
TYPICAL PERFORMANCE CURVE for AC MOTOR

Model No A099900.00

Catalog No A099900.00

Curve at 230 Volts HP 0.34 PHASE 1
60 HZ
0.33 HP VOLTS 115/230
HZ 60 RPM 1625



FL TORQUE	<u>16.4</u> Oz.Ft	FL AMPS	<u>3.25/1.65</u>
BD TORQUE	<u>35.3</u> Oz.Ft	PU TORQUE	<u>7.5</u> Oz.Ft
LR TORQUE	<u>9.63</u> Oz.Ft	LR AMPS	<u>6.74</u>
WINDING	PE484280-3	Date	3/27/2018