

PRODUCT INFORMATION PACKET



Model No: A6P11NB5A

Catalog No: A099847.00

A099847.00..3/4HP..1075RPM.56Z.TENV.115/230V.1PH.60HZ.AIROVER.40C.1.0SF.RIGID EXTENDED
STUDS.....

Agricultural



Regal and Leeson are trademarks of Regal Beloit Corporation or one of its affiliated companies.

©2018 Regal Beloit Corporation, All Rights Reserved. MC017097E





Nameplate Specifications

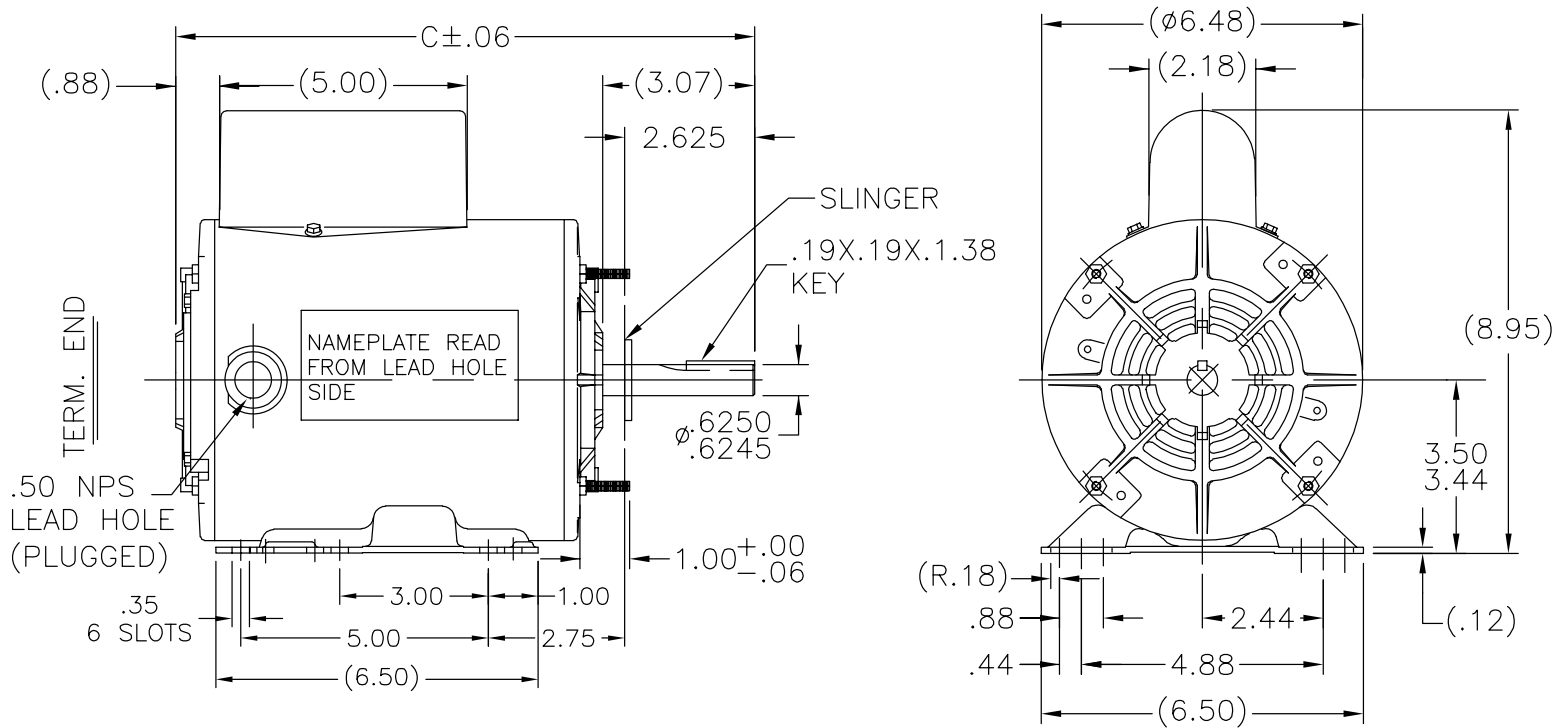
Output HP	0.75 Hp	Output KW	0.56 kW
Frequency	60 Hz	Voltage	115/230 V
Current	7.3/3.7 A	Speed	1075 rpm
Service Factor	1	Phase	1
Efficiency	76 %	Duty	Continuous
Insulation Class	B	Design Code	N
KVA Code	B	Frame	56H
Enclosure	Totally Enclosed Air Over	Overload Protector	Automatic Lock Rotor Only
Ambient Temperature	40 °C	Drive End Bearing Size	6203
Opp Drive End Bearing Size	6203	UL	Recognized
CSA	Y	CE	N
IP Code	43		

Technical Specifications

Electrical Type	Permanent Split Capacitor	Starting Method	Across The Line
Poles	6	Rotation	Selective Counterclockwise
Mounting	Rigid - Extended Studs	Motor Orientation	HORIZONTAL
Drive End Bearing	BALL	Opp Drive End Bearing	BALL
Frame Material	Rolled Steel	Shaft Type	Single Special Extension
Overall Length	12.19 in	Frame Length	7.56 in
Shaft Diameter	0.625 in	Shaft Extension	1.88 in
Assembly/Box Mounting	F1 ONLY		
Outline Drawing	A-108161-756	Connection Diagram	A-005109-01

This is an uncontrolled document once printed or downloaded and is subject to change without notice. Date Created: 10/15/2018

108161



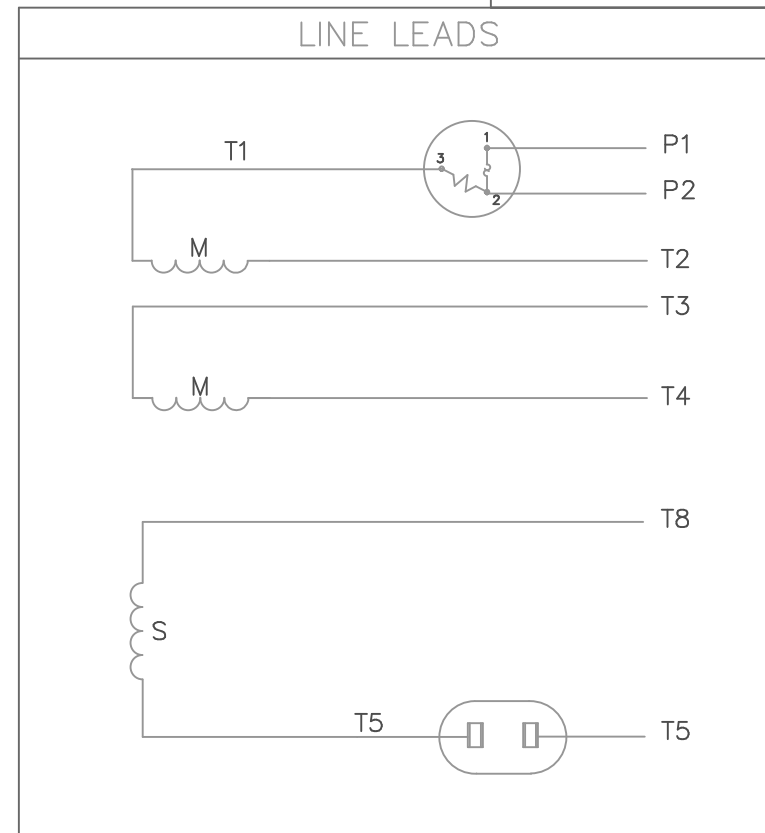
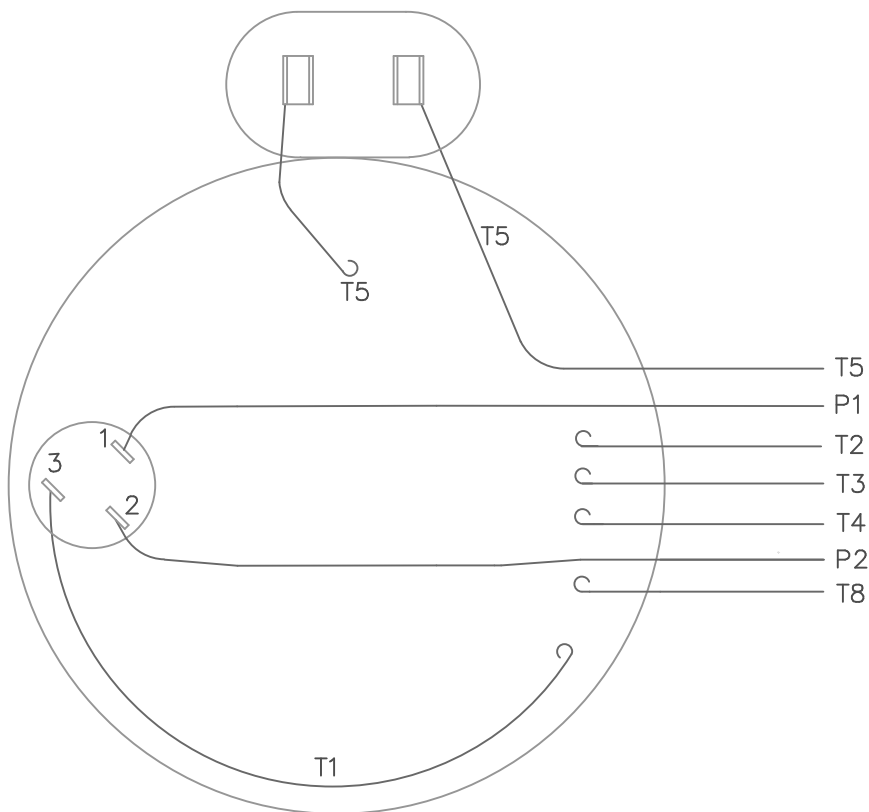
DASH	C	DASH	C
606	10.69	806	12.69
656	11.19	856	13.19
706	11.69	906	13.69
756	12.19	956	14.19

NO.	REVISION	BY & DATE	TOLERANCES UNLESS SPECIFIED		FINISH	ELECTRIC MOTORS GEARMOTORS AND DRIVES	DRAWN KR 02/19/2014
			DEC.	INCHES			
			.X	$\pm .1$			CHK VS 02/19/2014
			.XX	$\pm .03$	TITLE OUTLINE		APPD
			.XXX	$\pm .005$	56 FR. - TE - BB		SCALE 1:1
			.XXXX	$\pm .0005$	MAT'L.		REF 105882LN
				$\pm 7^{\circ}30''$			FMF A099847.00
							PREV
			RFP		CAD FILE 108161	SIZE A	DRAWING NO. 108161
			DIST	WP			PAGE OF REV. A



THIS DRAWING IN DESIGN AND DETAIL IS OUR PROPERTY AND MUST NOT BE USED EXCEPT IN CONNECTION WITH OUR WORK ALL RIGHTS OF DESIGN AND INVENTION ARE RESERVED THIS IS AN ELECTRONICALLY GENERATED DOCUMENT - DO NOT SCALE THIS PRINT

VIEW FROM OUTSIDE OF MOTOR AT SWITCH END.



	ROTATION FACING LEAD END	L1	L2	JOIN	INSULATE SEPARATELY
HIGH VOLT	C.C.W.	P1	T4 T5	T2, T3 T8	P2
	C.W.	P1	T4 T8	T2, T3 T5	P2
LOW VOLT	C.C.W.	P1	T2, T4 T5	P2, T3 T8	--
	C.W.	P1	T2, T4 T8	P2, T3 T5	--

				TOLERANCES UNLESS OTHERWISE SPECIFIED			LEESON ELECTRIC CORPORATION				
				DEC.	INCHES	METRIC					DRAWN JRW 10/01/75
				.X	±	±	APPR. JBM 10/02/75		EXTERNAL WIRING DIAGRAM		
				.XX	±	±	R.F.P.		TYPE "P" W/PROTECTOR		
08	REDRAWN ON CAD	DBT 05/28/97		.XXX	±	±	SCALE 1=1		MAT'L. DECAL - 004011		
NO.	REVISION	BY & DATE	CH'K'D.	.XXXX	±	±	REF. 005003		FINISH		
THIS DRAWING IN DESIGN AND DETAIL IS OUR PROPERTY AND MUST NOT BE USED EXCEPT IN CONNECTION WITH OUR WORK ALL RIGHTS OF DESIGN AND INVENTION ARE RESERVED THIS IS AN ELECTRONICALLY GENERATED DOCUMENT - DO NOT SCALE THIS PRINT				FRACTIONS		±	REF. 005003		REV. 08		DRAWING NO. 005109-01
				ANGLES		±	FMF W-P5567				

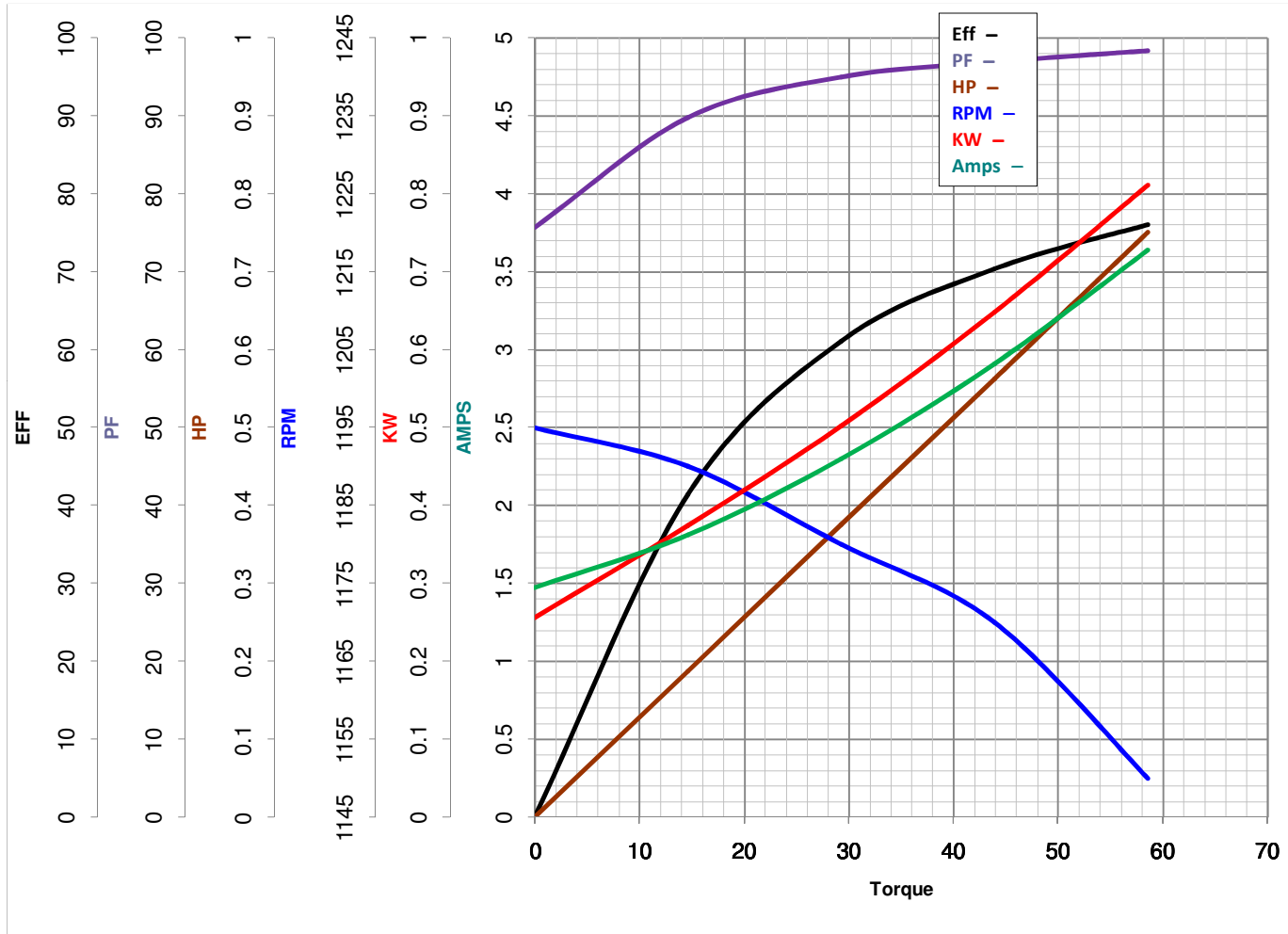


LEESON ELECTRIC CORPORATION
 TYPICAL PERFORMANCE CURVE for AC MOTOR

Model No A099847.00

Catalog No A099847.00

Curve at 230 Volts HP 0.76 PHASE 1
60 HZ
0.75 HP VOLTS 115/230
 HZ 60 RPM 1075



Torque in Oz.Ft

FL TORQUE 58.6 Oz.Ft
 BD TORQUE 83.0 Oz.Ft
 LR TORQUE 19 Oz.Ft

FL AMPS 7.3/3.65
 PU TORQUE 19.0 Oz.Ft
 LR AMPS 10.55

WINDING ZP6102-3

Date 3/21/2018