

PRODUCT INFORMATION PACKET



Model No: A4P8NR2A

Catalog No: A099836.00

..1/2 HP..800RPM.48YZ.TEAO.115/230V.1PH.60HZ.CONT.40C..RES BASE.....FAN MOTOR.....

Agricultural



Regal and Leeson are trademarks of Regal Beloit Corporation or one of its affiliated companies.

©2018 Regal Beloit Corporation, All Rights Reserved. MC017097E





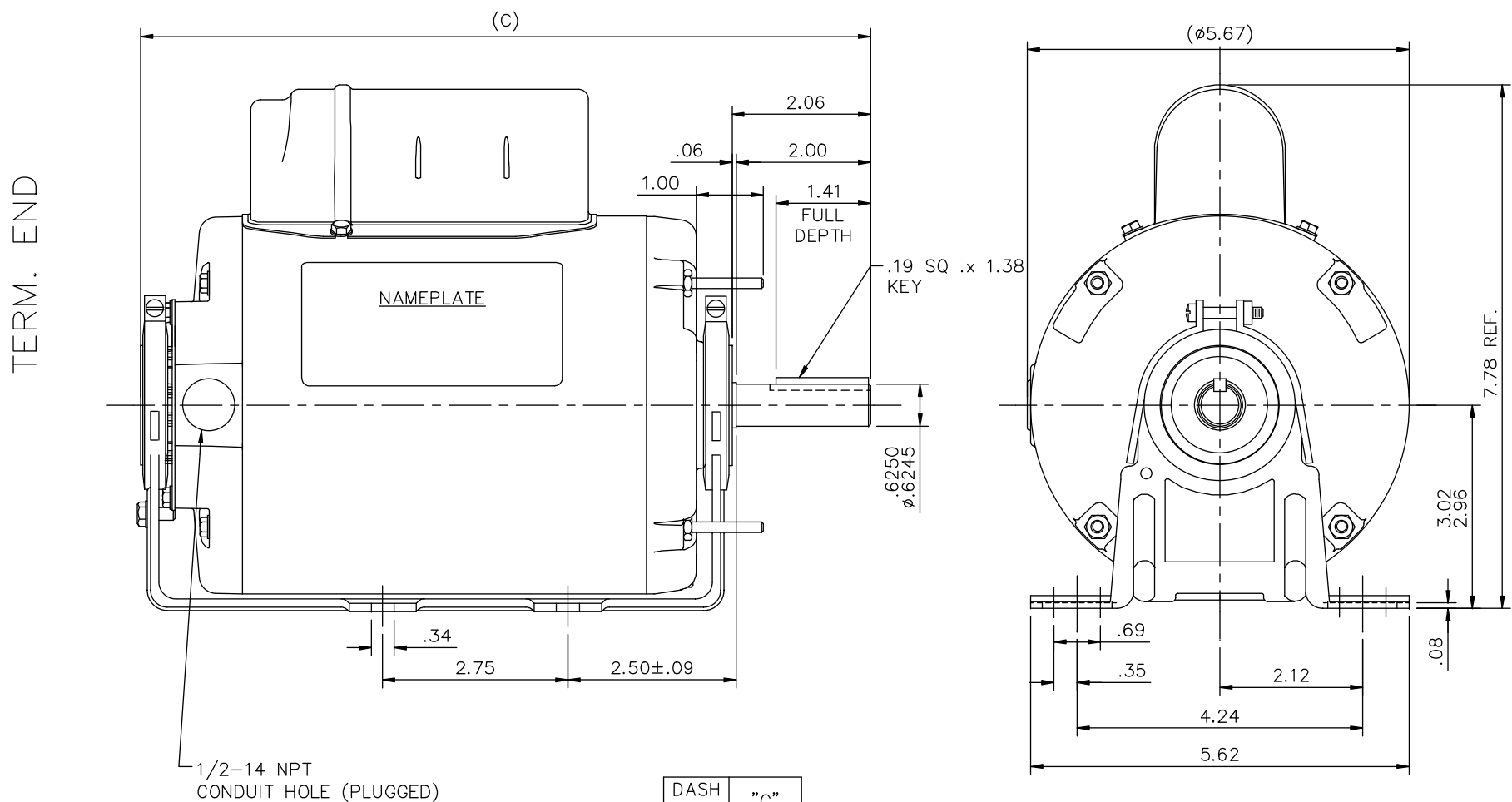
Nameplate Specifications

Output HP	0.50 Hp	Output KW	0.37 kW
Frequency	60 Hz	Voltage	115/230 V
Current	6.0/3.0 A	Speed	825 rpm
Service Factor	1.15	Phase	1
Efficiency	64 %	Duty	Continuous
Insulation Class	B	Design Code	N
KVA Code	A	Frame	48YZ
Enclosure	Totally Enclosed Air Over	Overload Protector	Automatic Lock Rotor Only
Ambient Temperature	40 °C	Drive End Bearing Size	6203
Opp Drive End Bearing Size	6203	UL	Recognized
CSA	Y	CE	N
IP Code	43		


Technical Specifications

Electrical Type	Permanent Split Capacitor	Starting Method	Across The Line
Poles	8	Rotation	Selective Counterclockwise
Mounting	Resilient Base	Motor Orientation	HORIZONTAL
Drive End Bearing	BALL	Opp Drive End Bearing	BALL
Frame Material	Rolled Steel	Shaft Type	Single Special Extension
Overall Length	10.81 in	Frame Length	6.00 in
Shaft Diameter	0.625 in	Shaft Extension	2 in
Assembly/Box Mounting	F1 ONLY		
Outline Drawing	A-SS404025-600	Connection Diagram	A-005109-15

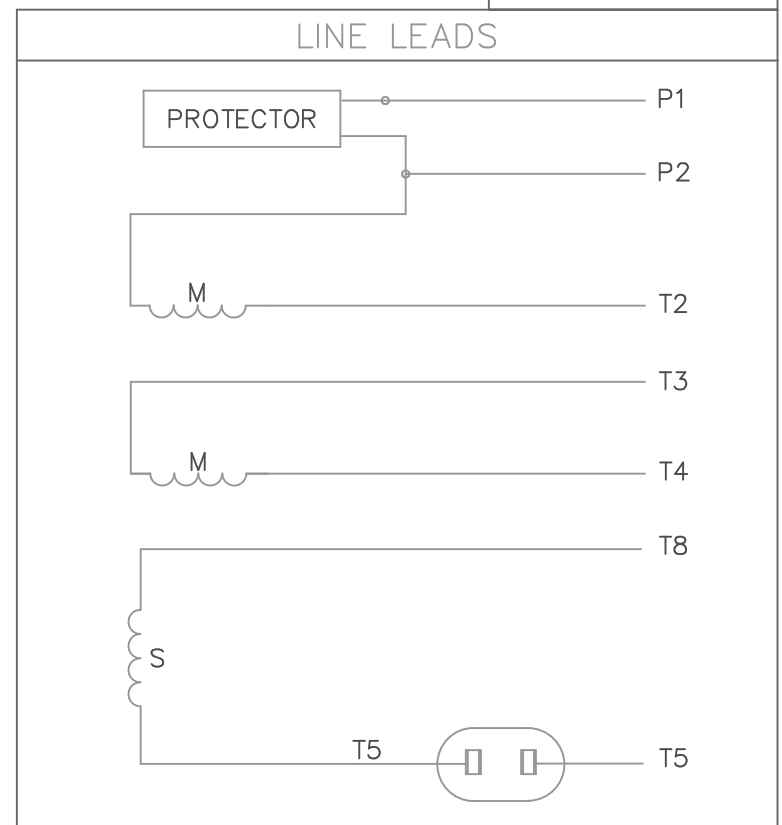
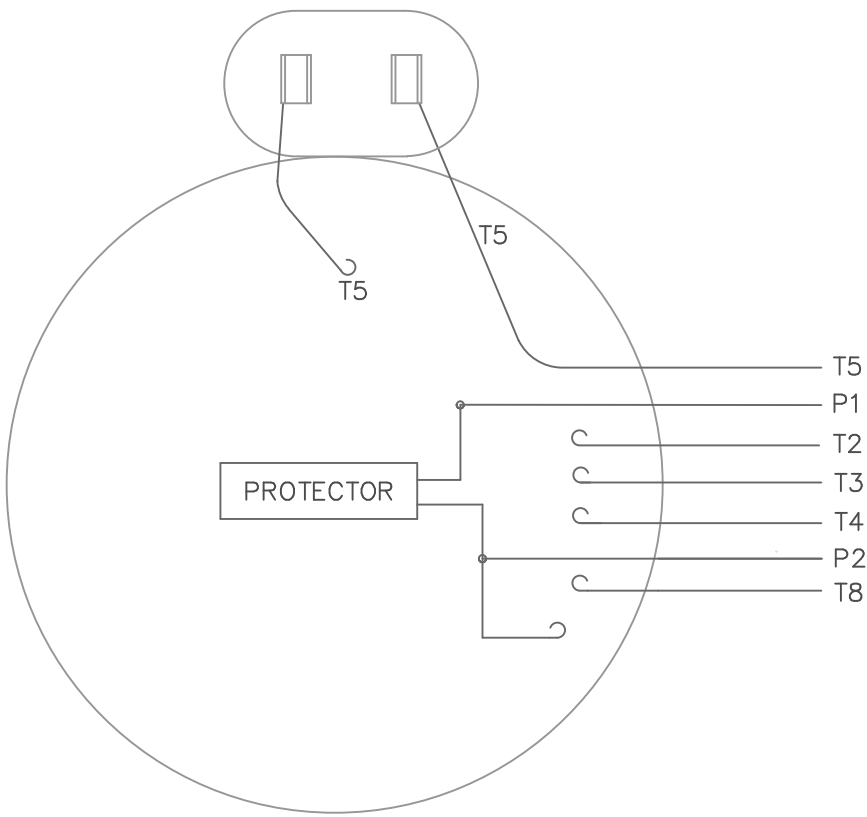
This is an uncontrolled document once printed or downloaded and is subject to change without notice. Date Created: 10/15/2018




DASH NO.	"C"
550	10.31
600	10.81
650	11.31
700	11.81

				TOLERANCES UNLESS SPECIFIED		 ELECTRIC MOTORS GEARMOTORS AND DRIVES	DRAWN PST 07/12/2013
				DEC.	INCHES		CHK SM 07/12/2013
				.X	±.1		APPD
				.XX	±.03		SCALE 1:1
				.XXX	±.005		REF 031775
				.XXXX	±.0005	TITLE OUTLINE - 48 FRAME RESILIENT MOUNT - TENV	FMF A099836.00
NO.	REVISION	BY & DATE	CHK	ANG	±1/2'	MAT'L. 1 PHASE	PREV
THIS DRAWING IN DESIGN AND DETAIL IS OUR PROPERTY AND MUST NOT BE USED EXCEPT IN CONNECTION WITH OUR WORK ALL RIGHTS OF DESIGN AND INVENTION ARE RESERVED THIS IS AN ELECTRONICALLY GENERATED DOCUMENT - DO NOT SCALE THIS PRINT				RFP		CAD FILE SS404025	SIZE A
				DIST			DRAWING NO. SS404025
							REV.

VIEW FROM OUTSIDE OF MOTOR AT SWITCH END.



	ROTATION FACING LEAD END	L1	L2	JOIN	INSULATE SEPARATELY
HIGH VOLT	C.C.W.	P1	T4 T5	T2, T3 T8	P2
	C.W.	P1	T4 T8	T2, T3 T5	P2
LOW VOLT	C.C.W.	P1	T2, T4 T5	P2, T3 T8	--
	C.W.	P1	T2, T4 T8	P2, T3 T5	--

		TOLERANCES UNLESS SPECIFIED		 ELECTRIC MOTORS GEARMOTORS AND DRIVES		DRAWN PG 3/4/02	
		DEC.	INCHES			CHK	
		.X	±.1			APPD	
		.XX	±.01			SCALE 1=1	
		.XXX	±.005			REF 005109-01	
		.XXXX	±.0005	MAT'L. DECAL - 004011		FMF 102675	
NO.	REVISION	BY & DATE	CHK	ANG ±1/2'	FINISH	PREV	
THIS DRAWING IN DESIGN AND DETAIL IS OUR PROPERTY AND MUST NOT BE USED EXCEPT IN CONNECTION WITH OUR WORK ALL RIGHTS OF DESIGN AND INVENTION ARE RESERVED THIS IS AN ELECTRONICALLY GENERATED DOCUMENT - DO NOT SCALE THIS PRINT			RFP	CAD FILE	00510915	SIZE	DRAWING NO.
			DIST			A	005109-15
							REV.

9/25/2008 5:20:27 PM

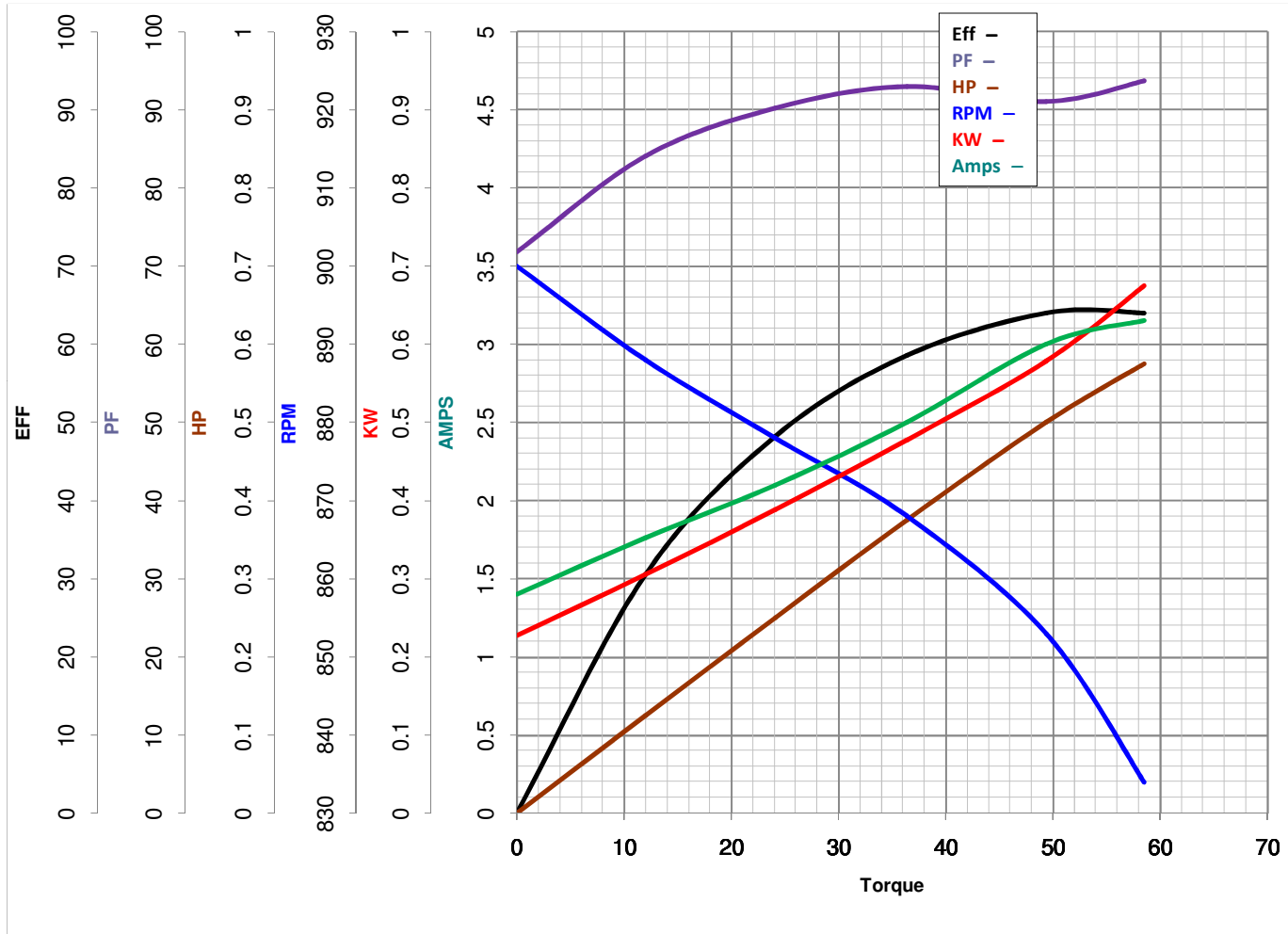


LEESON ELECTRIC CORPORATION
TYPICAL PERFORMANCE CURVE for AC MOTOR

Model No A099836.00

Catalog No A099836.00

Curve at 460 Volts HP 0.50 PHASE 1
60 HZ
0.5 HP VOLTS 115/230
HZ 60 RPM 825



Torque in Oz.Ft

FL TORQUE 49.4 Oz.Ft
 BD TORQUE 73.0 Oz.Ft
 LR TORQUE 17.3 Oz.Ft

FL AMPS 6/3
 PU TORQUE 16.2 Oz.Ft
 LR AMPS 6.4

WINDING PE488252-3

Date 3/21/2018