

# PRODUCT INFORMATION PACKET



Model No: A4P11NB53A

Catalog No: A099261.00

A099261.00..1/3HP..1075RPM.48Z.TENV.115/230V.1PH.60HZ.AIROVER.40C.1.0SF.RIGID-EXTENDED  
STUD.A4P11NB53A.....

Agricultural



Regal and Leeson are trademarks of Regal Beloit Corporation or one of its affiliated companies.

©2018 Regal Beloit Corporation, All Rights Reserved. MC017097E





### Nameplate Specifications

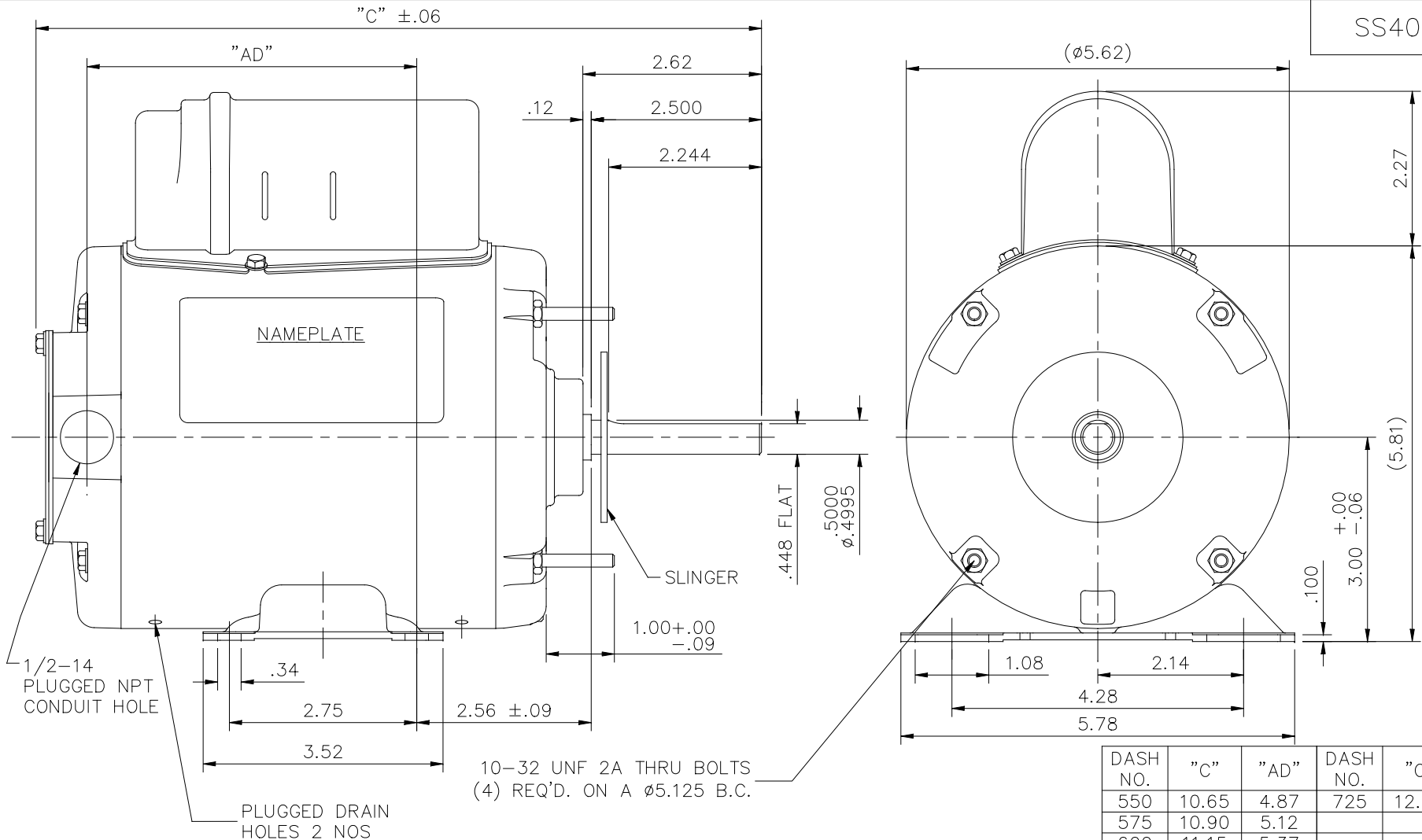
Output HP	<b>0.33 Hp</b>	Output KW	<b>0.25 kW</b>
Frequency	<b>60 Hz</b>	Voltage	<b>115/230 V</b>
Current	<b>3.5/1.8 A</b>	Speed	<b>1075 rpm</b>
Service Factor	<b>1</b>	Phase	<b>1</b>
Efficiency	<b>72 %</b>	Duty	<b>Continuous</b>
Insulation Class	<b>B</b>	Design Code	<b>N</b>
KVA Code	<b>E</b>	Frame	<b>48Z</b>
Enclosure	<b>Totally Enclosed Air Over</b>	Overload Protector	<b>Automatic Lock Rotor Only</b>
Ambient Temperature	<b>40 °C</b>	Drive End Bearing Size	<b>6203</b>
Opp Drive End Bearing Size	<b>6203</b>	UL	<b>Recognized</b>
CSA	<b>Y</b>	CE	<b>N</b>
IP Code	<b>43</b>		

### Technical Specifications

Electrical Type	<b>Permanent Split Capacitor</b>	Starting Method	<b>Across The Line</b>
Poles	<b>6</b>	Rotation	<b>Selective Counterclockwise</b>
Mounting	<b>Rigid - Extended Studs</b>	Motor Orientation	<b>HORIZONTAL</b>
Drive End Bearing	<b>BALL</b>	Opp Drive End Bearing	<b>BALL</b>
Frame Material	<b>Rolled Steel</b>	Shaft Type	<b>Single Special Extension</b>
Overall Length	<b>10.90 in</b>	Frame Length	<b>5.75 in</b>
Shaft Diameter	<b>0.500 in</b>	Shaft Extension	<b>2.24 in</b>
Assembly/Box Mounting	<b>F1 ONLY</b>		
Outline Drawing	<b>A-SS404022-575</b>	Connection Diagram	<b>A-005109-15</b>

**This is an uncontrolled document once printed or downloaded and is subject to change without notice. Date Created: 10/15/2018**

SS404022

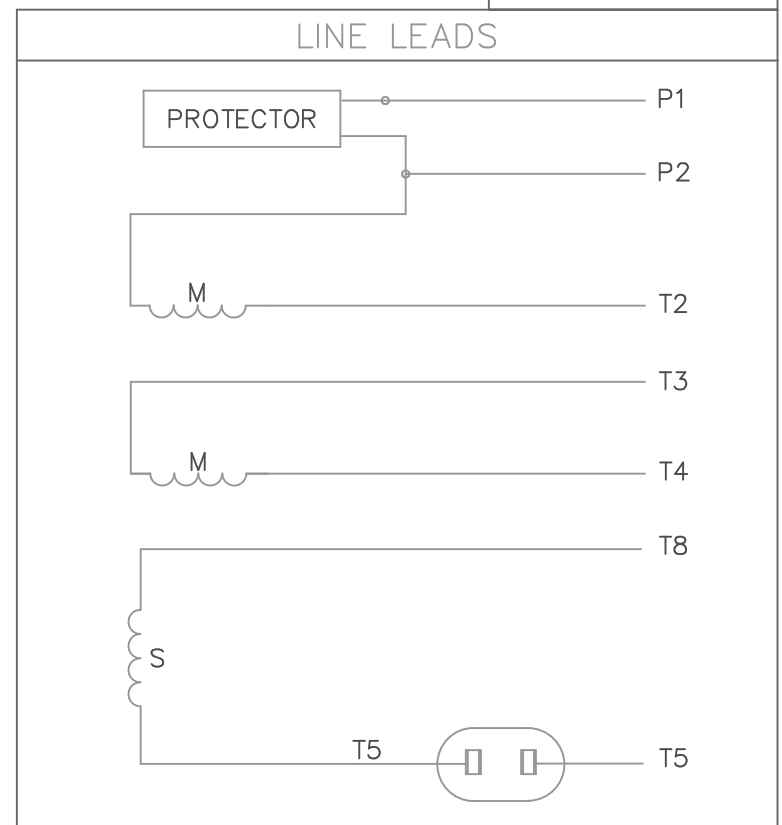
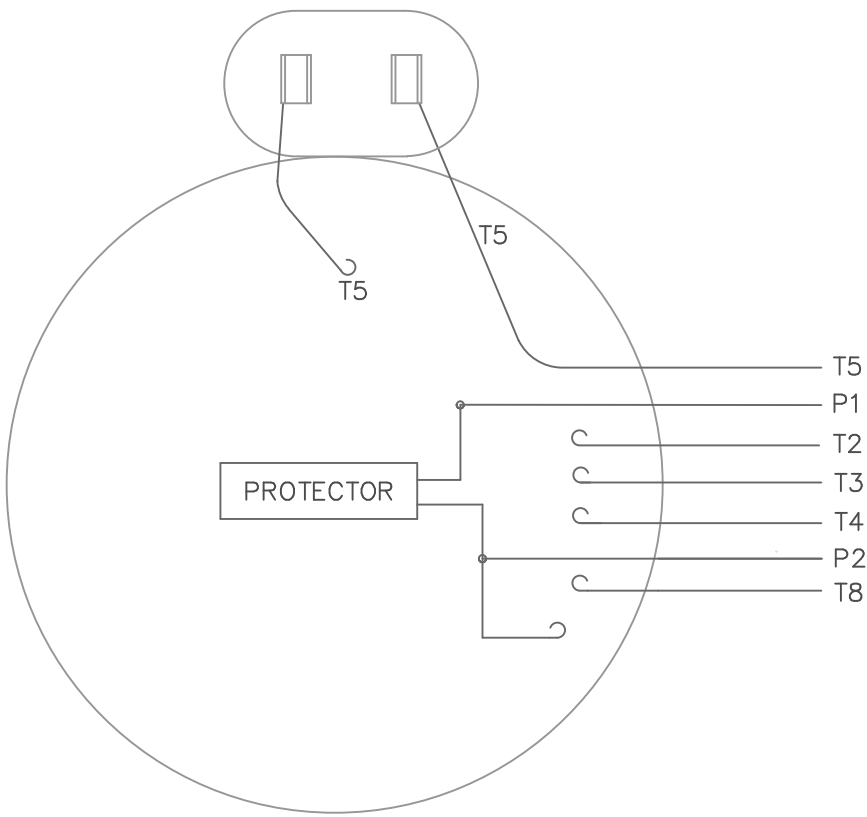


DASH NO.	"C"	"AD"	DASH NO.	"C"	"AD"
550	10.65	4.87	725	12.40	6.62
575	10.90	5.12			
600	11.15	5.37			
625	11.40	5.62			
650	11.65	5.87			
675	11.90	6.12			
700	12.15	6.37			


NOTE: GASKETS THROUGHOUT

				TOLERANCES UNLESS SPECIFIED		ELECTRIC MOTORS GEARMOTORS AND DRIVES		DRAWN PST 05-15-2013		
				DEC.	INCHES			CHK	SM 05-15-2013	
				.X	±.1	TITLE OUTLINE - 48 FRAME RIGID MOUNT - ENCLOSED	APPD	SCALE	1:1	
				.XX	±.03		REF	031707		
				.XXX	±.005		FMF	103779.00		
A	THRU BOLT TOL. WAS	-.06 ECO-0121907	PST 4/17/17	AP	.XXXX	±.0005	MAT'L.			
NO.	REVISION		BY & DATE	CHK	ANG	±1/2"	FINISH	PREV		
THIS DRAWING IN DESIGN AND DETAIL IS OUR PROPERTY AND MUST NOT BE USED EXCEPT IN CONNECTION WITH OUR WORK ALL RIGHTS OF DESIGN AND INVENTION ARE RESERVED THIS IS AN ELECTRONICALLY GENERATED DOCUMENT - DO NOT SCALE THIS PRINT				RFP	CAD FILE			SS404022	SIZE	DRAWING NO.
				DIST				A	SS404022	REV.
									A	

VIEW FROM OUTSIDE OF MOTOR AT SWITCH END.



	ROTATION FACING LEAD END	L1	L2	JOIN	INSULATE SEPARATELY
HIGH VOLT	C.C.W.	P1	T4 T5	T2, T3 T8	P2
	C.W.	P1	T4 T8	T2, T3 T5	P2
LOW VOLT	C.C.W.	P1	T2, T4 T5	P2, T3 T8	--
	C.W.	P1	T2, T4 T8	P2, T3 T5	--

				TOLERANCES UNLESS SPECIFIED		 ELECTRIC MOTORS GEARMOTORS AND DRIVES		DRAWN PG 3/4/02		
				DEC.	INCHES			CHK		
				.X	±.1			APPD		
				.XX	±.01			SCALE 1=1		
				.XXX	±.005			REF 005109-01		
				.XXXX	±.0005	MAT'L. DECAL - 004011		FMF 102675		
NO.	REVISION	BY & DATE	CHK	ANG	±1/2'	FINISH		PREV		
THIS DRAWING IN DESIGN AND DETAIL IS OUR PROPERTY AND MUST NOT BE USED EXCEPT IN CONNECTION WITH OUR WORK ALL RIGHTS OF DESIGN AND INVENTION ARE RESERVED THIS IS AN ELECTRONICALLY GENERATED DOCUMENT - DO NOT SCALE THIS PRINT				RFP		CAD FILE 00510915		SIZE A	DRAWING NO. 005109-15	REV.
				DIST						



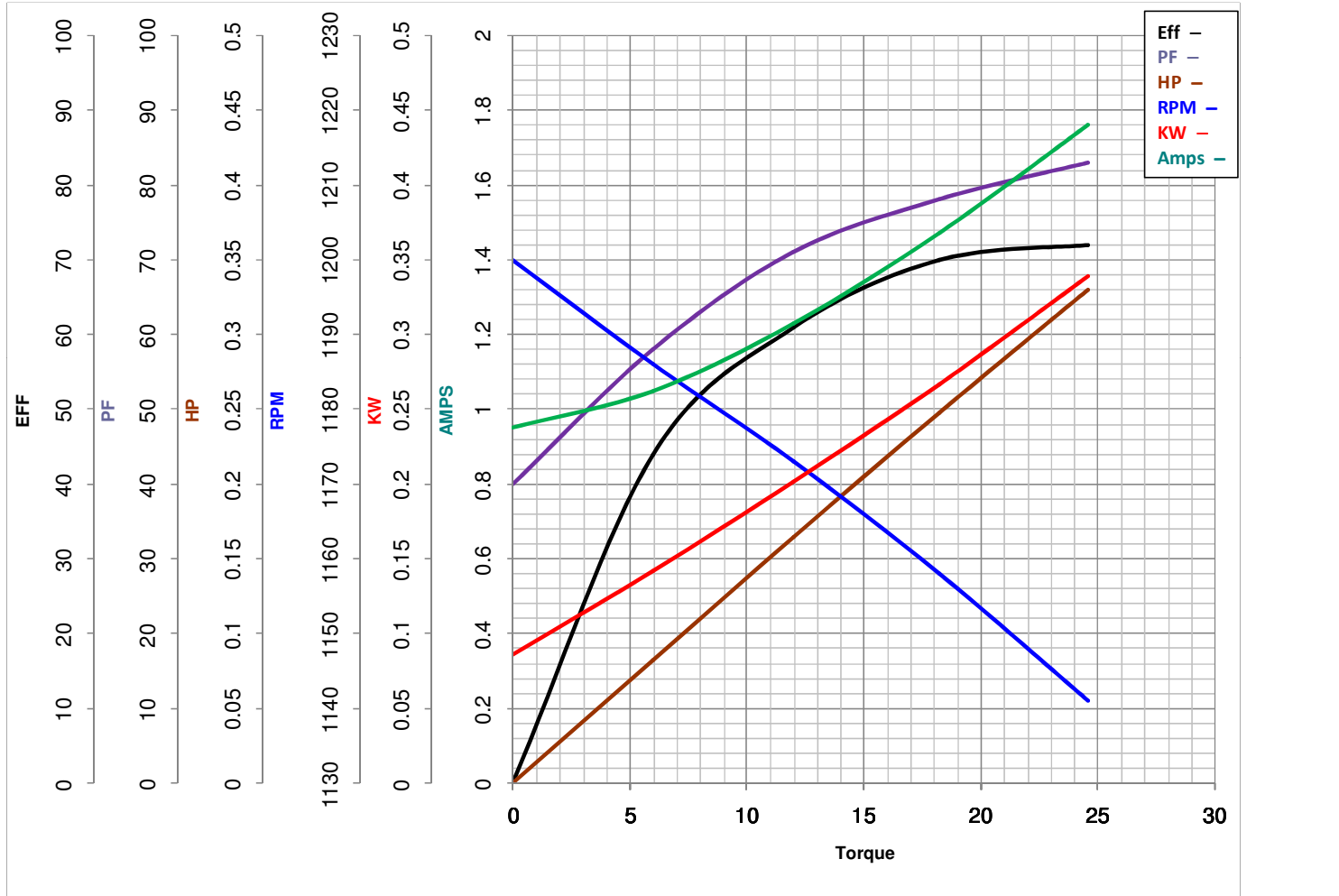
**LEESON ELECTRIC CORPORATION**  
 TYPICAL PERFORMANCE CURVE for AC MOTOR

Model No A099261.00

Catalog No A099261.00

Curve at 230 Volts      HP 0.34      PHASE 1  
60 HZ  
0.33 HP      VOLTS 115/230

HZ 60      RPM 1075



<b>FL TORQUE</b>	<u>24.6</u>	Oz.Ft	<b>FL AMPS</b>	<u>3.5/1.75</u>	
<b>BD TORQUE</b>	<u>49.0</u>	Oz.Ft	<b>PU TORQUE</b>	<u>10.2</u>	Oz.Ft
<b>LR TORQUE</b>	<u>10.5</u>	Oz.Ft	<b>LR AMPS</b>	<u>6.63</u>	
<b>WINDING</b>	PE4861791-3		<b>Date</b>	3/21/2018	