

PRODUCT INFORMATION PACKET



Model No: A4P8NZ17A

Catalog No: A099250.00

..1/2HP..900RPM.48YZ.TEAO.115/230V.1PH.60HZ.CONT.40C..T-BOLT MOUNT.....FAN.....

Direct Drive



Regal and Leeson are trademarks of Regal Beloit Corporation or one of its affiliated companies.

©2018 Regal Beloit Corporation, All Rights Reserved. MC017097E





Nameplate Specifications

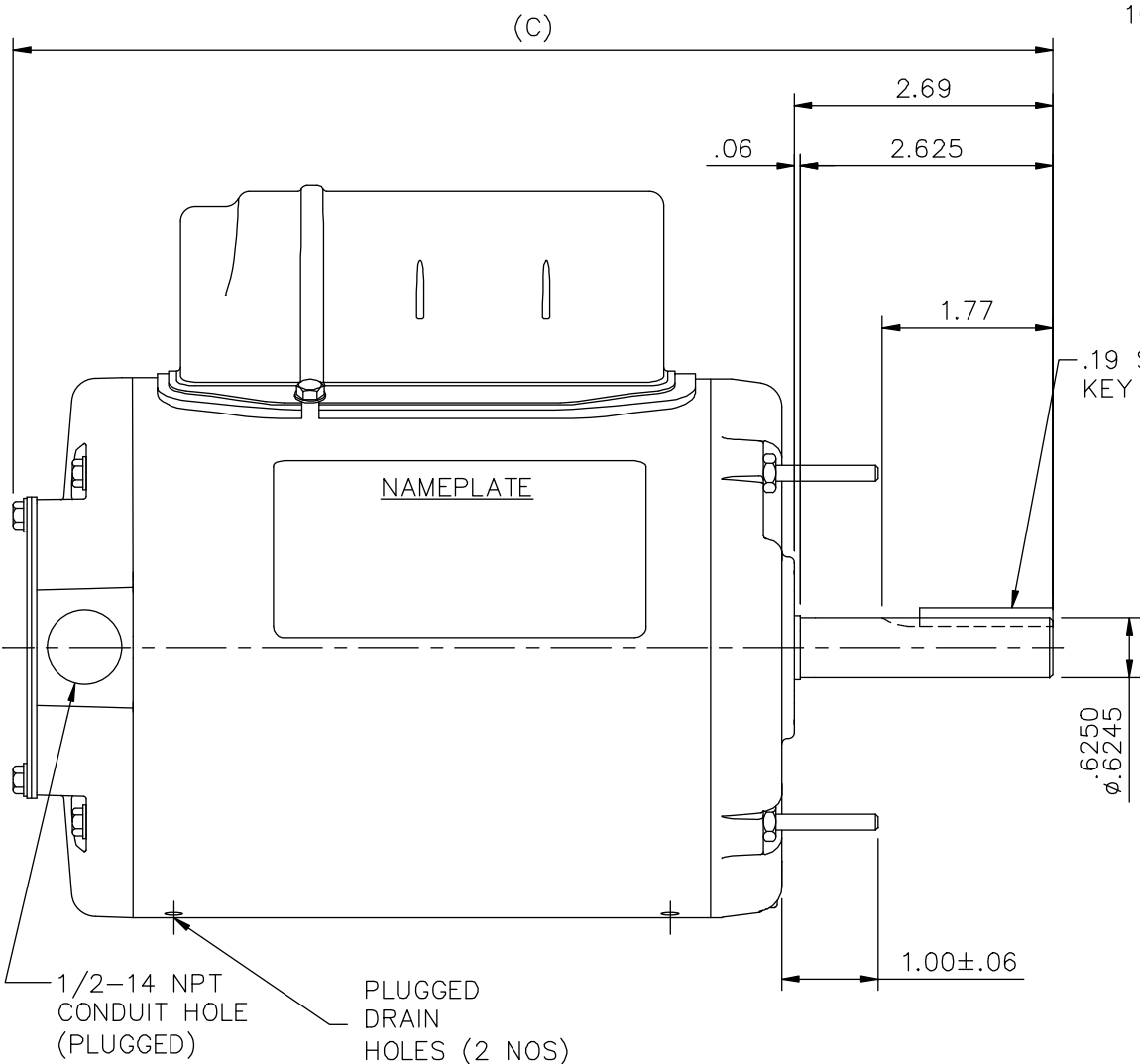
Output HP	0.50 Hp	Output KW	0.37 kW
Frequency	60 Hz	Voltage	115/230 V
Current	6.0/3.0 A	Speed	825 rpm
Service Factor	1.15	Phase	1
Efficiency	64 %	Duty	Continuous
Insulation Class	B	Design Code	N
KVA Code	A	Frame	48YZ
Enclosure	Totally Enclosed Air Over	Overload Protector	Automatic Lock Rotor Only
Ambient Temperature	40 °C	Drive End Bearing Size	6203
Opp Drive End Bearing Size	6203	UL	Recognized
CSA	Y	CE	N
IP Code	43		

Technical Specifications

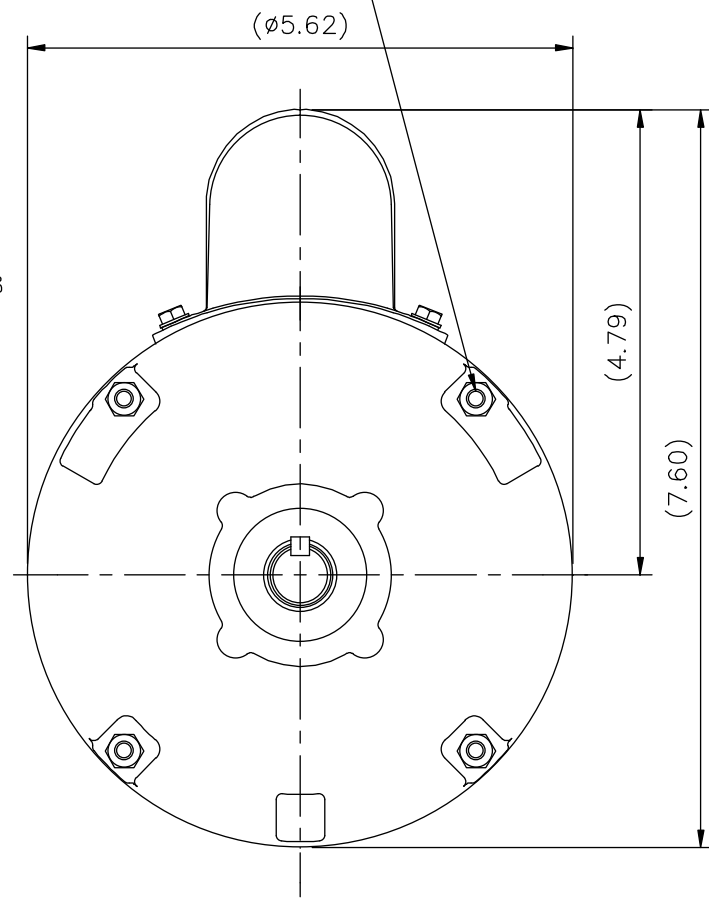
Electrical Type	Permanent Split Capacitor	Starting Method	Across The Line
Poles	8	Rotation	Selective Counterclockwise
Mounting	Round	Motor Orientation	HORIZONTAL
Drive End Bearing	BALL	Opp Drive End Bearing	BALL
Frame Material	Rolled Steel	Shaft Type	Single Special Extension
Overall Length	10.80 in	Frame Length	6.00 in
Shaft Diameter	0.625 in	Shaft Extension	2.62 in
Assembly/Box Mounting	F1 ONLY		
Outline Drawing	A-SS404024-600	Connection Diagram	A-005109-15

This is an uncontrolled document once printed or downloaded and is subject to change without notice. Date Created: 10/15/2018

SS404024



10-32 UNF EXTENDED THRU BOLTS
(4) REQ'D. ON A Ø5.125 B.C.




DASH NO.	"C"
600	10.80

				TOLERANCES UNLESS SPECIFIED		ELECTRIC MOTORS GEARMOTORS AND DRIVES	DRAWN KR 09/13/2013		
				DEC.	INCHES		CHK SM 09/13/2013		
				.X	±.1		APPD		
				.XX	±.03		SCALE 1:1		
				.XXX	±.005		REFOL103091/JLRSP-0062		
				.XXXX	±.0005	MAT'L.	FMF MU114710		
NO.	REVISION	BY & DATE	CHK	ANG	±1/2'	FINISH	PREV		
THIS DRAWING IN DESIGN AND DETAIL IS OUR PROPERTY AND MUST NOT BE USED EXCEPT IN CONNECTION WITH OUR WORK ALL RIGHTS OF DESIGN AND INVENTION ARE RESERVED THIS IS AN ELECTRONICALLY GENERATED DOCUMENT - DO NOT SCALE THIS PRINT			RFP	CAD FILE		SS404024	SIZE	DRAWING NO.	REV.
			DIST	WP			A	SS404024	

VIEW FROM OUTSIDE OF MOTOR AT SWITCH END.



	ROTATION FACING LEAD END	L1	L2	JOIN	INSULATE SEPARATELY
HIGH VOLT	C.C.W.	P1	T4 T5	T2, T3 T8	P2
	C.W.	P1	T4 T8	T2, T3 T5	P2
LOW VOLT	C.C.W.	P1	T2, T4 T5	P2, T3 T8	--
	C.W.	P1	T2, T4 T8	P2, T3 T5	--

				TOLERANCES UNLESS SPECIFIED		 ELECTRIC MOTORS GEARMOTORS AND DRIVES		DRAWN PG 3/4/02		
				DEC.	INCHES			CHK		
				.X	±.1			APPD		
				.XX	±.01			SCALE 1=1		
				.XXX	±.005			REF 005109-01		
				.XXXX	±.0005	MAT'L. DECAL - 004011		FMF 102675		
NO.	REVISION	BY & DATE	CHK	ANG	±1/2'	FINISH		PREV		
THIS DRAWING IN DESIGN AND DETAIL IS OUR PROPERTY AND MUST NOT BE USED EXCEPT IN CONNECTION WITH OUR WORK ALL RIGHTS OF DESIGN AND INVENTION ARE RESERVED THIS IS AN ELECTRONICALLY GENERATED DOCUMENT - DO NOT SCALE THIS PRINT				RFP	CAD FILE 00510915		SIZE	DRAWING NO.		REV.
				DIST			A	005109-15		



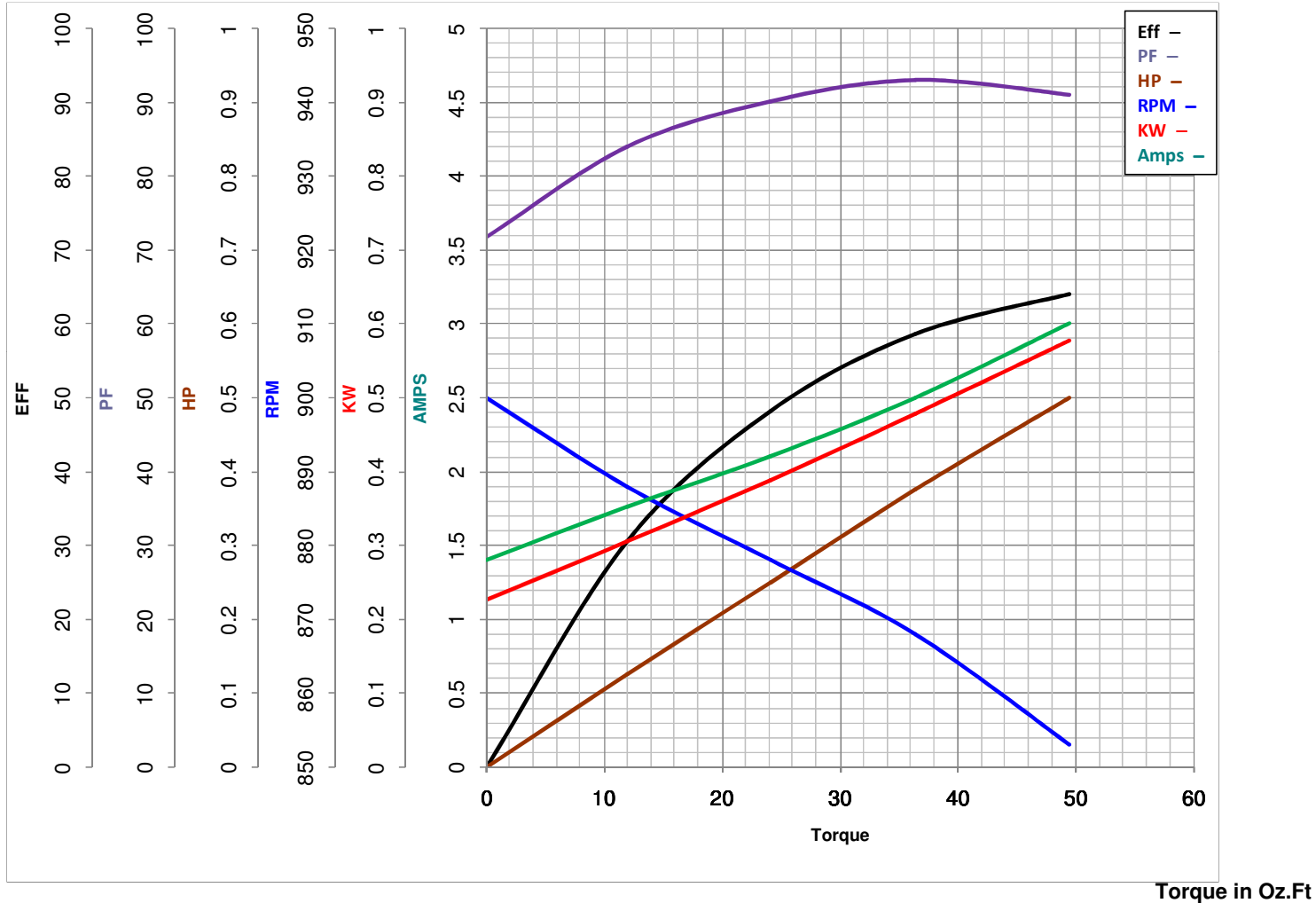
LEESON ELECTRIC CORPORATION
 TYPICAL PERFORMANCE CURVE for AC MOTOR

Model No A099250.00

Curve at 230 Volts HP 0.50 PHASE 1
60 HZ
0.5 HP VOLTS 115/230

Catalog No A099250.00

HZ 60 RPM 825



FL TORQUE	<u>49.4</u>	Oz.Ft	FL AMPS	<u>6/3</u>	
BD TORQUE	<u>73.0</u>	Oz.Ft	PU TORQUE	<u>16.2</u>	Oz.Ft
LR TORQUE	<u>17.3</u>	Oz.Ft	LR AMPS	<u>6.4</u>	
WINDING	PE488252-3		Date	3/21/2018	