

PRODUCT INFORMATION PACKET



Model No: A4K17DR13A

Catalog No: A090585.00

A090585.00..1/2HP..1725RPM.48Z.DP.115V.1PH.60HZ.CONT.40C.1.35SF.Resilient
Base.A4K17DR13A.....

Belt Drive



Regal and Leeson are trademarks of Regal Beloit Corporation or one of its affiliated companies.

©2018 Regal Beloit Corporation, All Rights Reserved. MC017097E





Nameplate Specifications

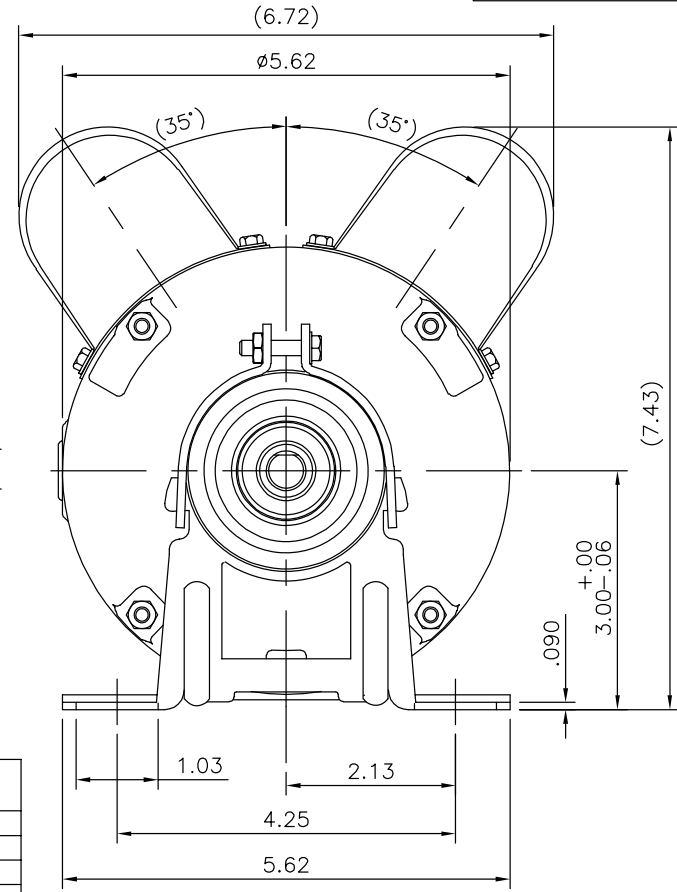
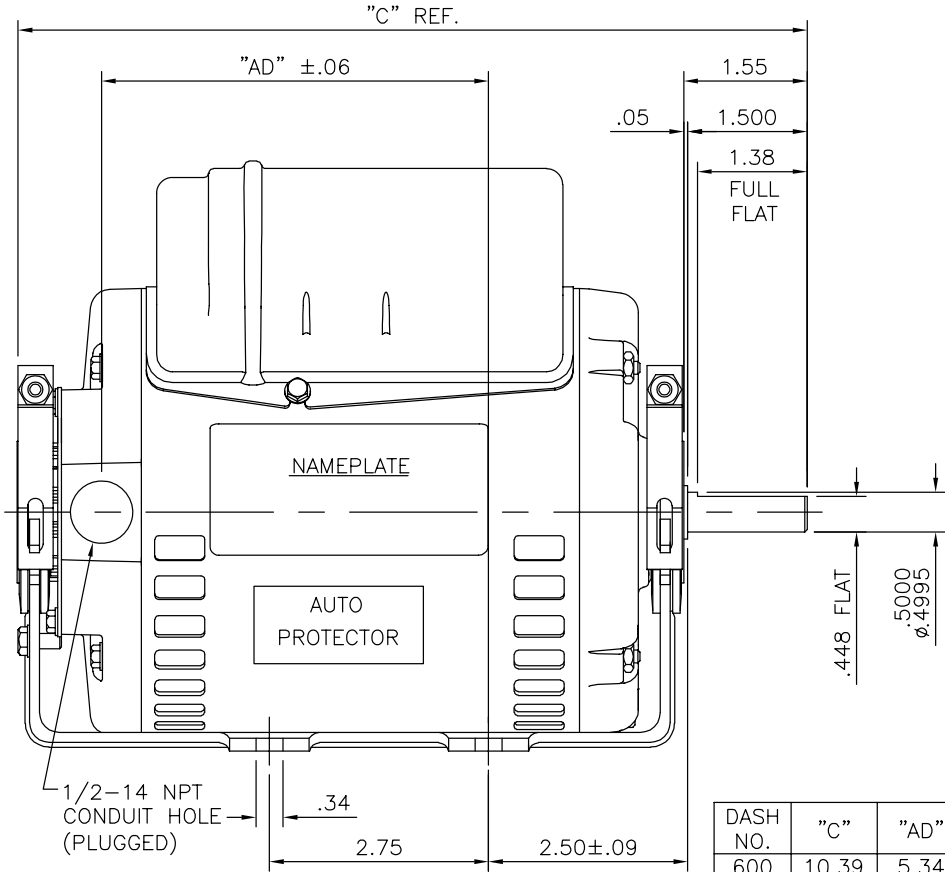
Output HP	0.50 Hp	Output KW	0.37 kW
Frequency	60 Hz	Voltage	115 V
Current	5.0 A	Speed	1725 rpm
Service Factor	1.35	Phase	1
Efficiency	75.5 %	Duty	Continuous
Insulation Class	B	Design Code	N
KVA Code	L	Frame	48Z
Enclosure	Drip Proof	Overload Protector	Automatic
Ambient Temperature	40 °C	Drive End Bearing Size	6203
Opp Drive End Bearing Size	6203	UL	Recognized
CSA	Y	CE	N
IP Code	22		

Technical Specifications


Electrical Type	Capacitor Start Capacitor Run	Starting Method	Across The Line
Poles	4	Rotation	Selective Counterclockwise
Mounting	Resilient Base	Motor Orientation	HORIZONTAL
Drive End Bearing	BALL	Opp Drive End Bearing	BALL
Frame Material	Rolled Steel	Shaft Type	Single Special Extension
Overall Length	12.14 in	Frame Length	7.75 in
Shaft Diameter	0.500 in	Shaft Extension	2.24 in
Assembly/Box Mounting	F1 ONLY		
Outline Drawing	A-SS404041-775	Connection Diagram	A-005534-01

This is an uncontrolled document once printed or downloaded and is subject to change without notice. Date Created: 10/15/2018

SS404041



DASH NO.	"C"	"AD"
600	10.39	5.34
650	10.89	5.84
700	11.39	6.34
725	11.64	6.59
750	11.89	6.84
775	12.14	7.09

		TOLERANCES UNLESS SPECIFIED		 ELECTRIC MOTORS GEARMOTORS AND DRIVES		DRAWN KR 10/07/2013	
		DEC.	INCHES			CHK SM 10/07/2013	
		.X	±.1			APPD	
		.XX	±.03			SCALE 1:1	
		.XXX	±.005	TITLE	OUTLINE - 48 FRAME	REF 031761	
		.XXXX	±.0005	MAT'L.	1 PHASE	FMF MU115112	
NO.	REVISION	BY & DATE	CHK	ANG ±1/2'	FINISH	STANDARD	PREV
THIS DRAWING IN DESIGN AND DETAIL IS OUR PROPERTY AND MUST NOT BE USED EXCEPT IN CONNECTION WITH OUR WORK ALL RIGHTS OF DESIGN AND INVENTION ARE RESERVED THIS IS AN ELECTRONICALLY GENERATED DOCUMENT - DO NOT SCALE THIS PRINT			RFP		CAD FILE	SS404041	SIZE
			DIST				DRAWING NO.
							A
							SS404041
							REV.

