

# PRODUCT INFORMATION PACKET



Model No: A6K17NB33A

Catalog No: A009782.00

..1HP..1800RPM.56H.TEAO.115/230V.1PH.60HZ.CONT.40C..RIGID.....FARM AG.....  
Agricultural



Regal and Leeson are trademarks of Regal Beloit Corporation or one of its affiliated companies.

©2018 Regal Beloit Corporation, All Rights Reserved. MC017097E





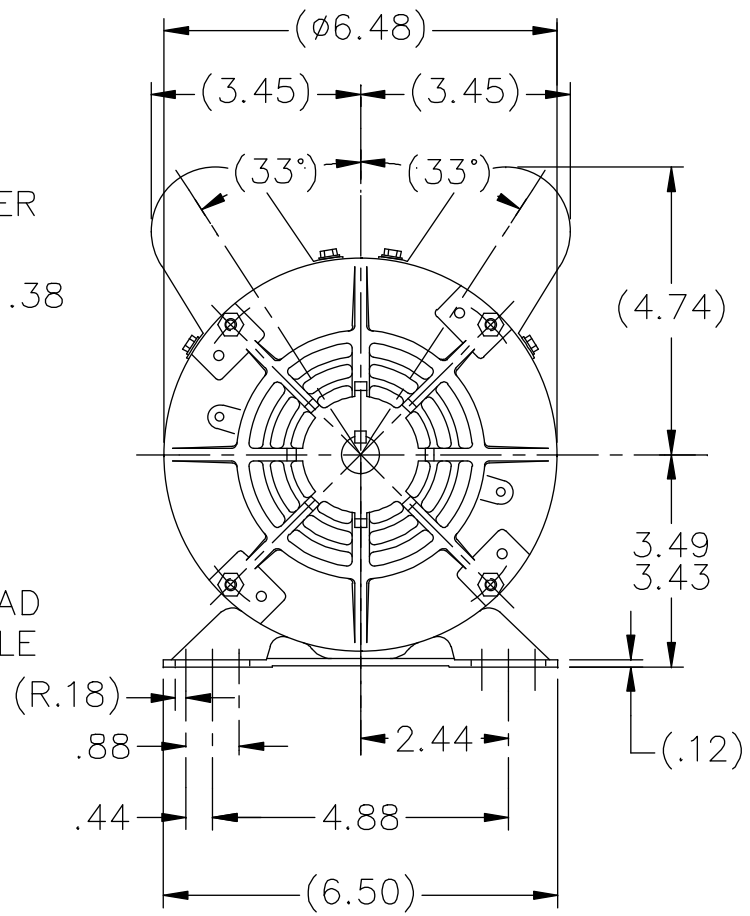
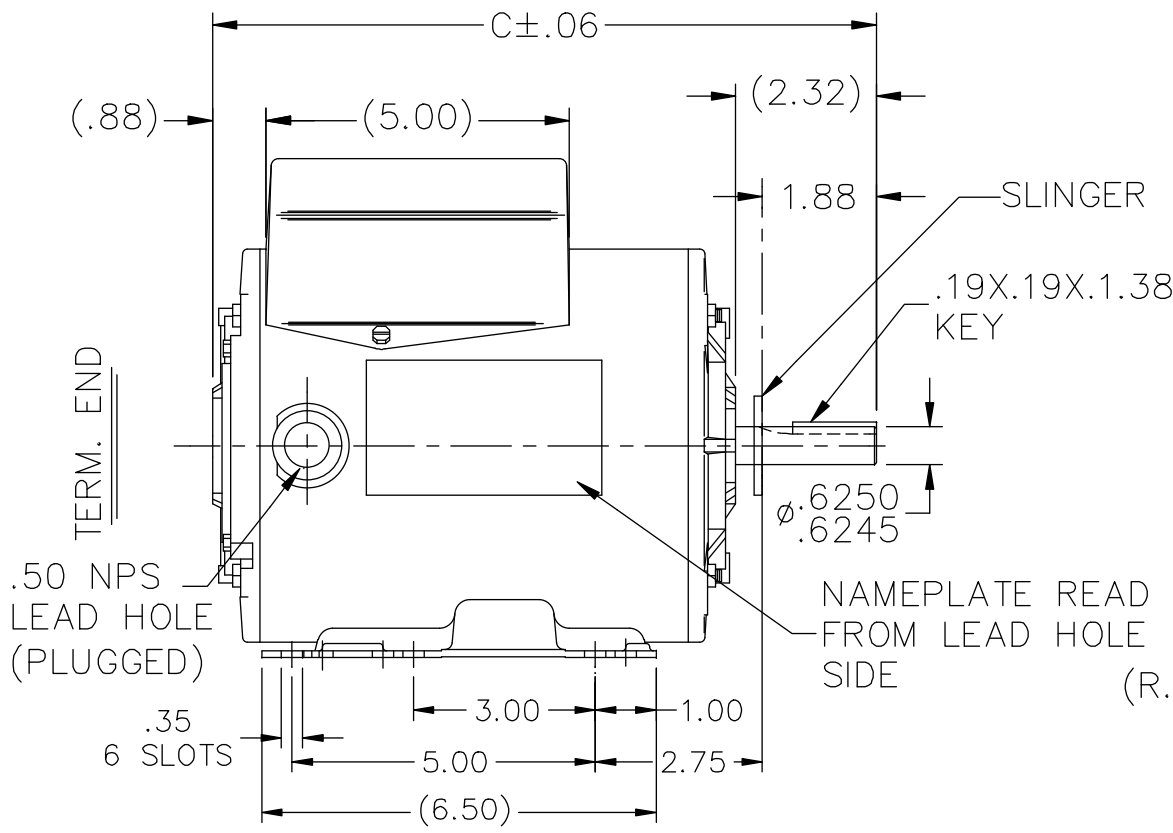
### Nameplate Specifications

Output HP	<b>1 Hp</b>	Output KW	<b>0.75 kW</b>
Frequency	<b>60 Hz</b>	Voltage	<b>115/230 V</b>
Current	<b>8.0/4.0 A</b>	Speed	<b>1725 rpm</b>
Service Factor	<b>1.25</b>	Phase	<b>1</b>
Efficiency	<b>85.5 %</b>	Duty	<b>Continuous</b>
Insulation Class	<b>B</b>	Design Code	<b>N</b>
KVA Code	<b>G</b>	Frame	<b>56H</b>
Enclosure	<b>Totally Enclosed Air Over</b>	Overload Protector	<b>Automatic Lock Rotor Only</b>
Ambient Temperature	<b>40 °C</b>	Drive End Bearing Size	<b>6203</b>
Opp Drive End Bearing Size	<b>6203</b>	UL	<b>Recognized</b>
CSA	<b>Y</b>	CE	<b>N</b>
IP Code	<b>43</b>		


### Technical Specifications

Electrical Type	<b>Capacitor Start Capacitor Run</b>	Starting Method	<b>Across The Line</b>
Poles	<b>4</b>	Rotation	<b>Selective Counterclockwise</b>
Mounting	<b>Rigid base</b>	Motor Orientation	<b>HORIZONTAL</b>
Drive End Bearing	<b>BALL</b>	Opp Drive End Bearing	<b>BALL</b>
Frame Material	<b>Rolled Steel</b>	Shaft Type	<b>NEMA 56</b>
Overall Length	<b>12.44 in</b>	Frame Length	<b>8.56 in</b>
Shaft Diameter	<b>0.625 in</b>	Shaft Extension	<b>1.88 in</b>
Assembly/Box Mounting	<b>F1 ONLY</b>		
Outline Drawing	<b>A-107336LE-856</b>	Connection Diagram	<b>A-102006-85LE</b>

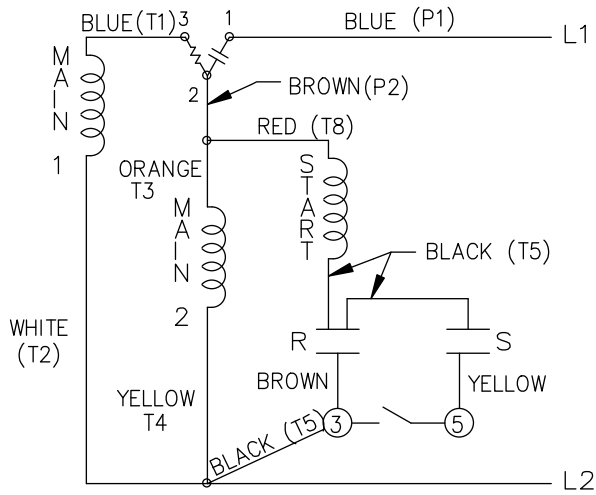
**This is an uncontrolled document once printed or downloaded and is subject to change without notice. Date Created: 10/15/2018**



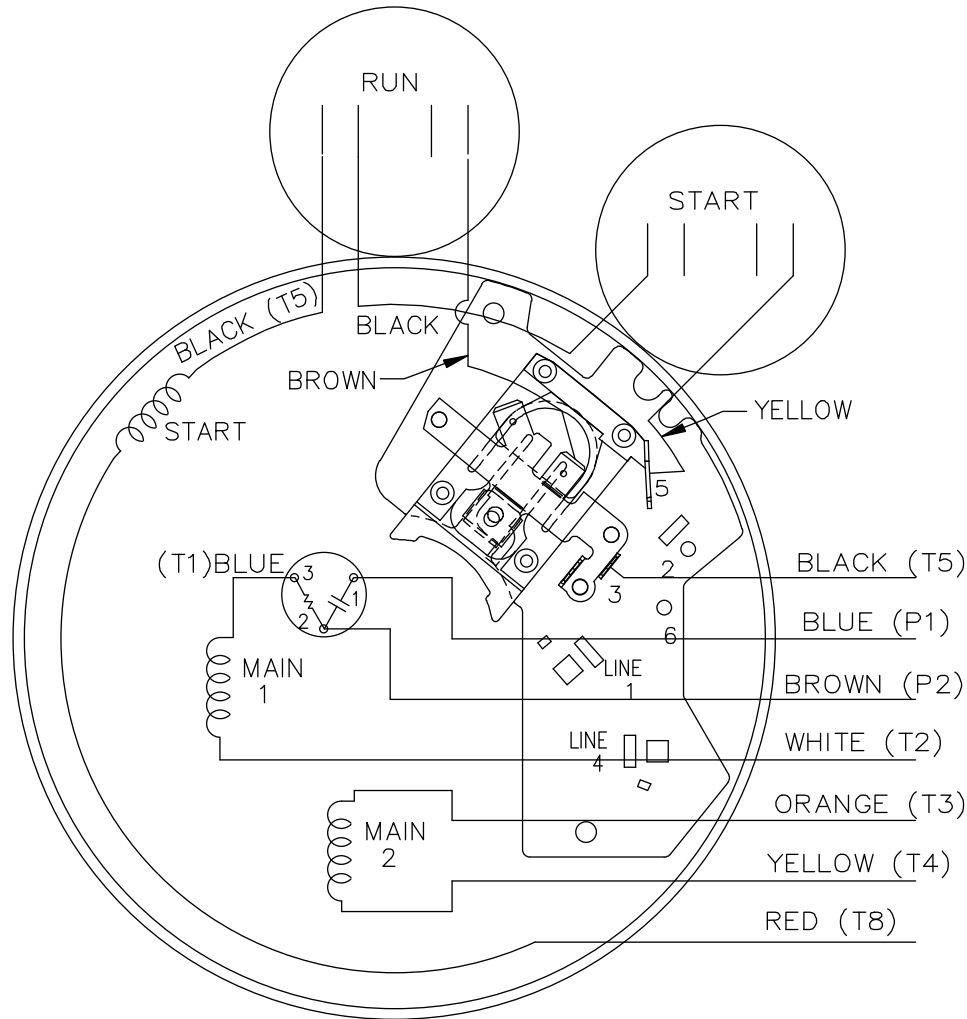
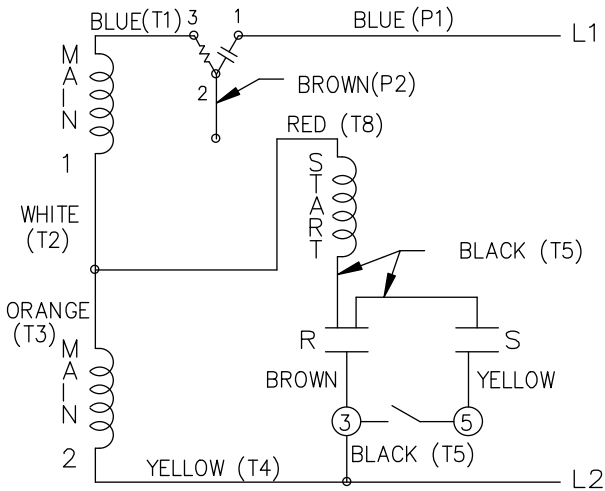
DASH	C	DASH	C
		756	11.44
606	9.94	806	11.94
656	10.44	856	12.44
706	10.94	906	12.94

				TOLERANCES UNLESS SPECIFIED		 ELECTRIC MOTORS GEARMOTORS AND DRIVES	DRAWN NB 10-18-2007			
				DEC.	INCHES		CHK VL 01-29-2008			
				.X	±.1		APPD NB 01-29-2008			
				.XX	±.03		SCALE 5=16			
				.XXX	±.005		REF 100588			
				.XXXX	±.0005	FMF ME070145				
NO.	REVISION	BY & DATE	CHK	ANG	±7'30"	FINISH	PREV ME070145OL			
THIS DRAWING IN DESIGN AND DETAIL IS OUR PROPERTY AND MUST NOT BE USED EXCEPT IN CONNECTION WITH OUR WORK ALL RIGHTS OF DESIGN AND INVENTION ARE RESERVED THIS IS AN ELECTRONICALLY GENERATED DOCUMENT - DO NOT SCALE THIS PRINT				RFP	01-29-2008	CAD FILE	107336LE	SIZE	DRAWING NO. PAGE OF	REV.
				DIST	WP	A	107336LE			

LOW VOLTAGE C.C.W.



HIGH VOLTAGE C.C.W.

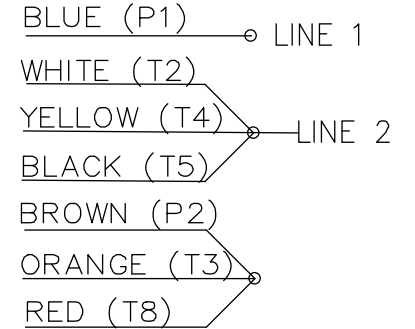


NOTE: USE P & T TERMINALS WHEN CALLED IN BOM

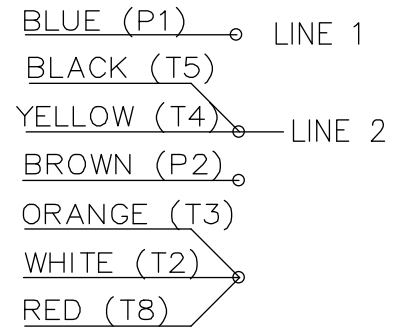
102006-85LE

DUAL VOLTAGE  
CAP. START-CAP. RUN  
OVERLOAD SELECT  
ROTATION.


LOW VOLT. CCW ROT.



HIGH VOLT. CCW ROT.



FOR CW ROT. EITHER  
VOLTAGE INTERCHANGE  
RED(T8) WITH BLACK(T5) LEAD.

				TOLERANCES UNLESS SPECIFIED		 ELECTRIC MOTORS GEARMOTORS AND DRIVES	DRAWN VS 1/28/10
				DEC.	INCHES		CHK
				.X	±.1		APPD VS 1/28/10
				.XX	±.02		SCALE 5=8
				.XXX	±.005		REF 102006-85
01	ADDED P & T TERMINALS	UD 09/27/13	SKM .XXXX	±.0005	MAT'L.		FMF
NO.	REVISION	BY & DATE	CHK ANG	±7'30"	FINISH		PREV
THIS DRAWING IN DESIGN AND DETAIL IS OUR PROPERTY AND MUST NOT BE USED EXCEPT IN CONNECTION WITH OUR WORK ALL RIGHTS OF DESIGN AND INVENTION ARE RESERVED THIS IS AN ELECTRONICALLY GENERATED DOCUMENT - DO NOT SCALE THIS PRINT				RFP	CAD FILE 102006-85LE	SIZE A	DRAWING NO. 102006-85LE
				DIST WP			PAGE OF 01

