

# PRODUCT INFORMATION PACKET



Model No: A145K17NB2A

Catalog No: A009595.00

..2HP..1725RPM.145T.TEAO.230V.1PH.60HZ.CONT.40C.1.0SF.RIGID.U145K17NBA.....

Agricultural



Regal and Leeson are trademarks of Regal Beloit Corporation or one of its affiliated companies.

©2018 Regal Beloit Corporation, All Rights Reserved. MC017097E





### Nameplate Specifications

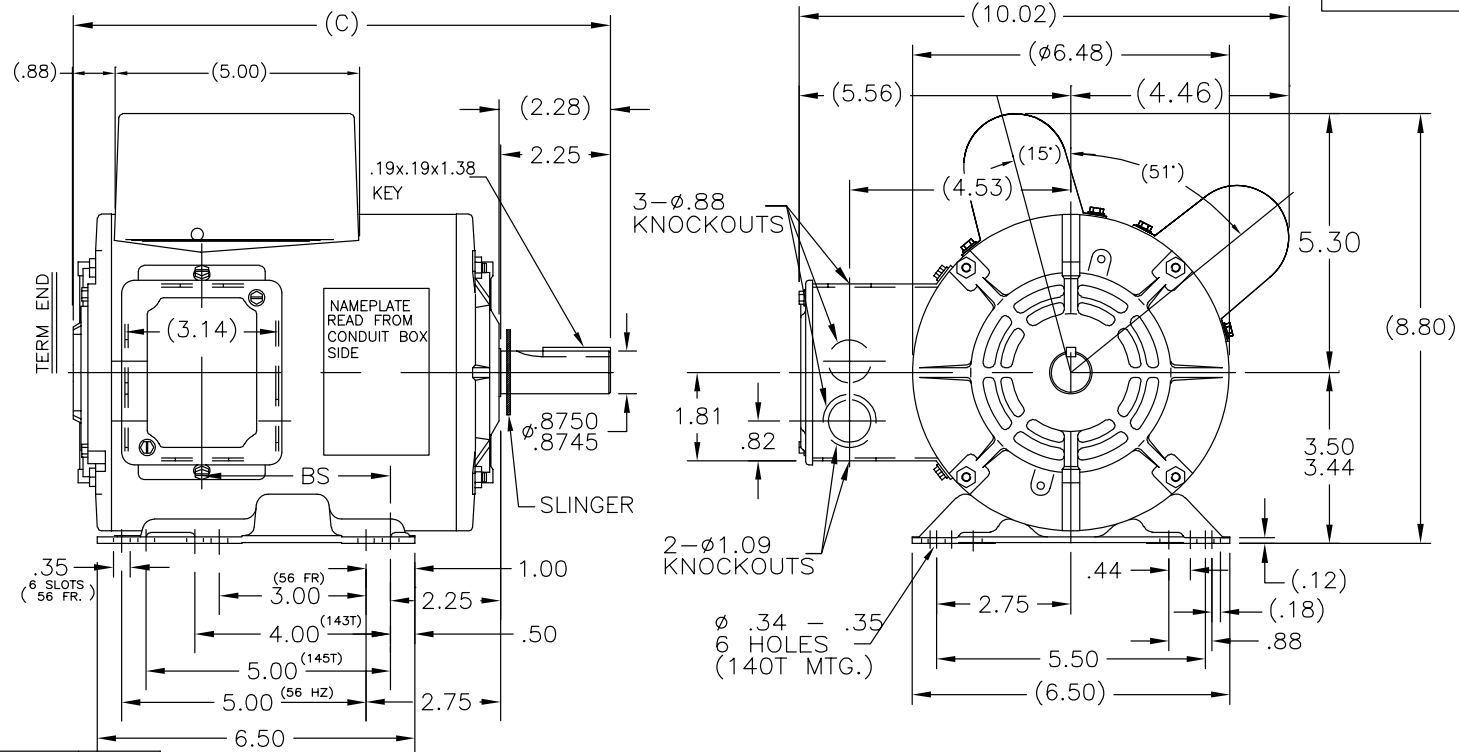
Output HP	<b>2 Hp</b>	Output KW	<b>1.5 kW</b>
Frequency	<b>60 Hz</b>	Voltage	<b>230 V</b>
Current	<b>9.2 A</b>	Speed	<b>1749 rpm</b>
Service Factor	<b>1</b>	Phase	<b>1</b>
Efficiency	<b>81.6 %</b>	Duty	<b>Continuous</b>
Insulation Class	<b>B</b>	Design Code	<b>L</b>
KVA Code	<b>J</b>	Frame	<b>145</b>
Enclosure	<b>Totally Enclosed Air Over</b>	Overload Protector	<b>Automatic Lock Rotor Only</b>
Ambient Temperature	<b>40 °C</b>	Drive End Bearing Size	<b>6205</b>
Opp Drive End Bearing Size	<b>6203</b>	UL	<b>Recognized</b>
CSA	<b>Y</b>	CE	<b>N</b>
IP Code	<b>43</b>		

### Technical Specifications

Electrical Type	<b>Capacitor Start Capacitor Run</b>	Starting Method	<b>Across The Line</b>
Poles	<b>4</b>	Rotation	<b>Selective Counterclockwise</b>
Mounting	<b>Rigid base</b>	Motor Orientation	<b>HORIZONTAL</b>
Drive End Bearing	<b>BALL</b>	Opp Drive End Bearing	<b>BALL</b>
Frame Material	<b>Rolled Steel</b>	Shaft Type	<b>NEMA 56</b>
Overall Length	<b>13.49 in</b>	Frame Length	<b>9.56 in</b>
Shaft Diameter	<b>0.875 in</b>	Shaft Extension	<b>2.25 in</b>
Assembly/Box Mounting	<b>F1 ONLY</b>		
Outline Drawing	<b>A-108106-956</b>	Connection Diagram	<b>A-102006_58_LE</b>

**This is an uncontrolled document once printed or downloaded and is subject to change without notice. Date Created: 10/15/2018**

108106

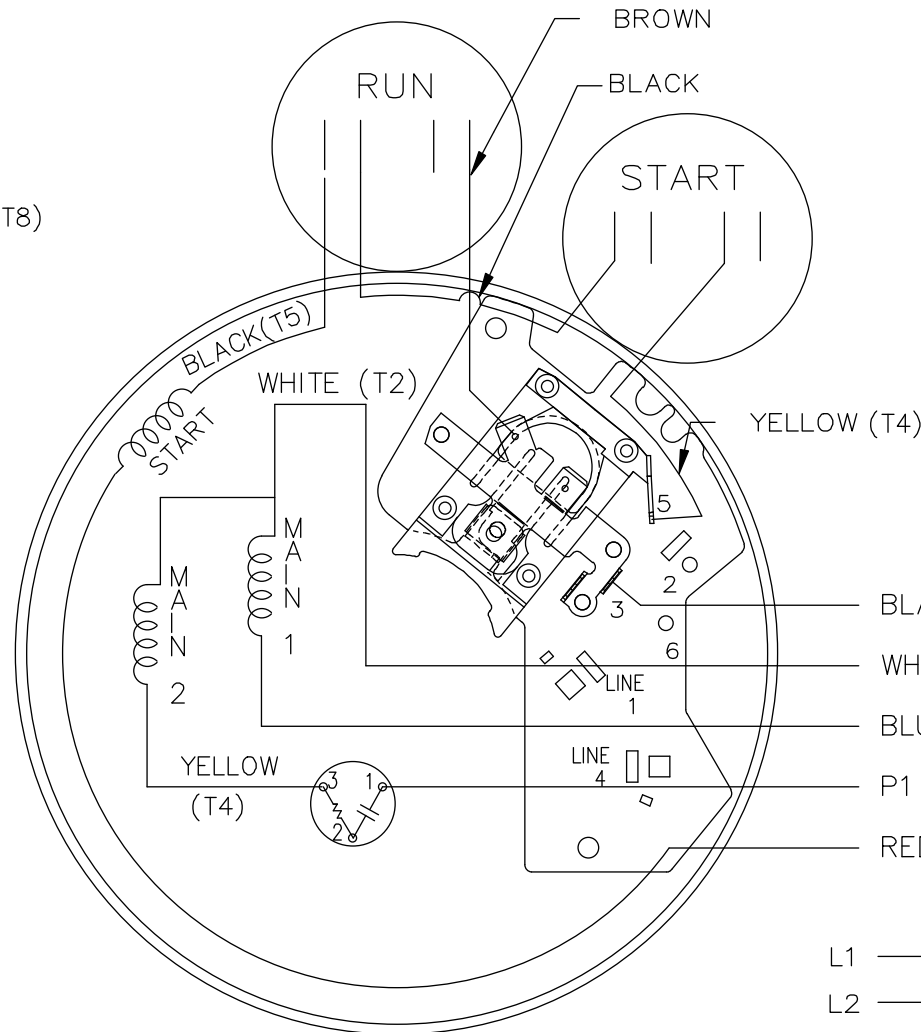
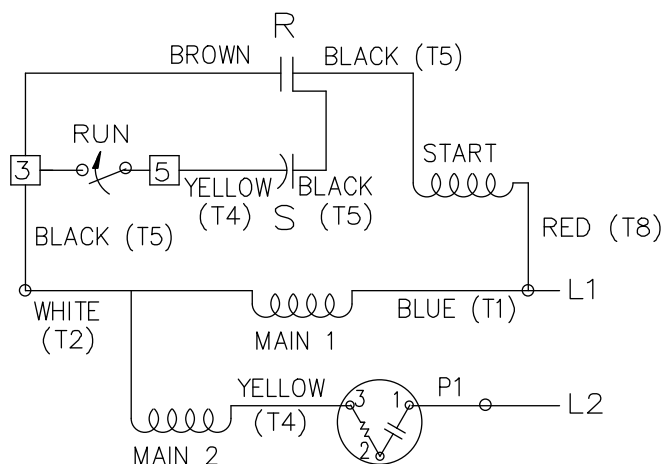


DASH	C	BS
706	10.99	3.86
756	11.49	4.36
856	12.49	5.36
906	12.99	5.86
956	13.49	6.36

NOTE:  
1. CONDUIT BOX CAN BE ROTATED 180°

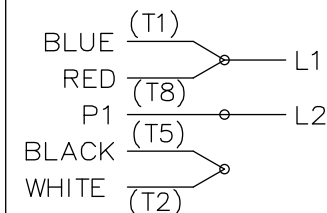
		TOLERANCES UNLESS SPECIFIED		LEESON	ELECTRIC MOTORS GEARMOTORS AND DRIVES	DRAWN KR 09-30-2013					
		DEC.	INCHES			CHK	SM 09-30-2013				
		.X	±.1			APPD					
		.XX	±.03		TITLE	SCALE	1:1				
		.XXX	±.005		OUTLINE - 140T & 56HZ FRAME RIGID MOUNT -TENV ENCLOSED	REF	105626				
A	ADDED NAMEPLATE LOCATION PER ECO-0067603	UD	12/15/14	PI	.XXXX	MAT'L.	FMF MU115192				
NO.	REVISION	BY & DATE	CHK	ANG	±1/2'	FINISH	PREV				
THIS DRAWING IN DESIGN AND DETAIL IS OUR PROPERTY AND MUST NOT BE USED EXCEPT IN CONNECTION WITH OUR WORK ALL RIGHTS OF DESIGN AND INVENTION ARE RESERVED THIS IS AN ELECTRONICALLY GENERATED DOCUMENT - DO NOT SCALE THIS PRINT				RFP	CAD FILE	108106	SIZE	DRAWING NO.	PAGE	OF	REV.
				DIST			A	108106			A

HIGH VOLTAGE C.C.W.



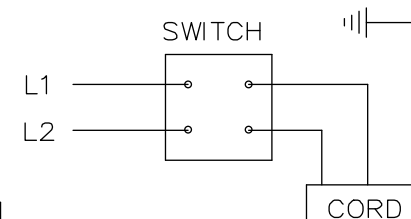
HIGH VOLTAGE CAPACITOR START OVERLOAD SELECT ROTATION.

HIGH VOLTAGE C.C.W. ROTATION



FOR C.W. ROTATION INTERCHANGE RED(T8) AND BLACK(T5) LEADS

- BLACK (T5)
- WHITE (T2)
- BLUE (T1)
- P1
- RED (T8)



NOTE: USE T TERMINALS WHEN CALLED IN BOM

			TOLERANCES UNLESS SPECIFIED			ELECTRIC MOTORS GEARMOTORS AND DRIVES	DRAWN HLB 04-28-2004	
			DEC.	INCHES			CHK ML 05-04-2004	
			.X	± -	TITLE CONNECTION DIAGRAM	APPD GK 05-04-2004	SCALE 5=8	
			.XX	± -		REF		
			.XXX	± -		FMF CN 38017		
			.XXXX	± -		PREV		
01	ADDED T TERMINAL	UD 09/27/13	MA	.XXXX ± -	MAT'L.			
NO.	REVISION	BY & DATE	CHK	ANG ± -	FINISH			
THIS DRAWING IN DESIGN AND DETAIL IS OUR PROPERTY AND MUST NOT BE USED EXCEPT IN CONNECTION WITH OUR WORK ALL RIGHTS OF DESIGN AND INVENTION ARE RESERVED THIS IS AN ELECTRONICALLY GENERATED DOCUMENT - DO NOT SCALE THIS PRINT			RFP		CAD FILE 102006_58_le	SIZE A	DRAWING NO. 102006-58-LE	PAGE OF 01
			DIST					REV. 01

