

PRODUCT INFORMATION PACKET



Model No: A6K17NB32A

Catalog No: A009594.00

..1.5 HP..1800RPM.56H.TEAO.115/230V.1PH.60HZ.CONT.40C..RIGID.....FARM AG.....
Agricultural



Regal and Leeson are trademarks of Regal Beloit Corporation or one of its affiliated companies.

©2018 Regal Beloit Corporation, All Rights Reserved. MC017097E





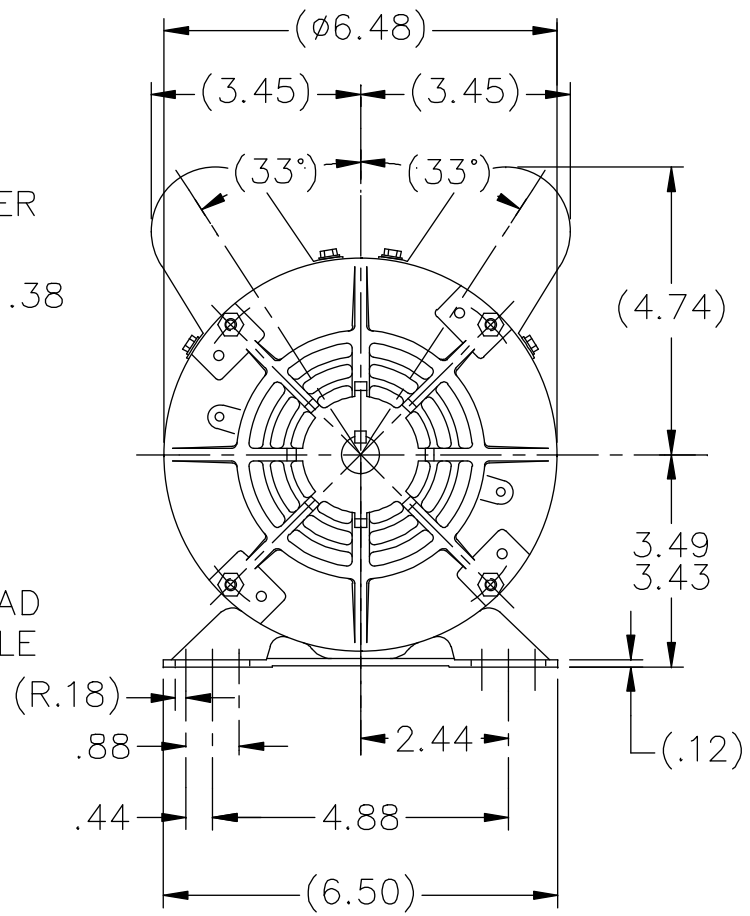
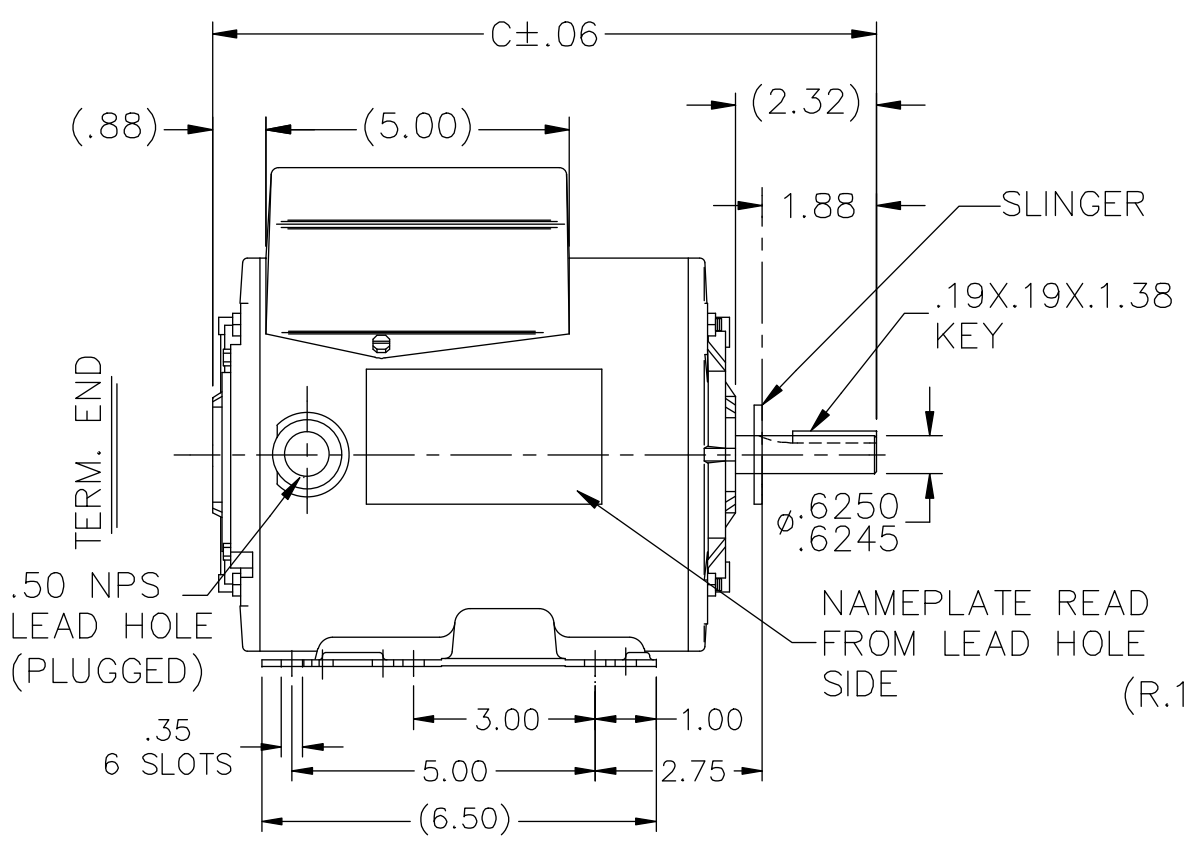
Nameplate Specifications

Output HP	1.50 Hp	Output KW	1.1 kW
Frequency	60 Hz	Voltage	115/230 V
Current	11.6/5.8 A	Speed	1725 rpm
Service Factor	1	Phase	1
Efficiency	84 %	Duty	Continuous
Insulation Class	B	Design Code	N
KVA Code	E	Frame	56H
Enclosure	Totally Enclosed Air Over	Overload Protector	Automatic Lock Rotor Only
Ambient Temperature	40 °C	Drive End Bearing Size	6203
Opp Drive End Bearing Size	6203	UL	Recognized
CSA	Y	CE	N
IP Code	43		


Technical Specifications

Electrical Type	Capacitor Start Capacitor Run	Starting Method	Across The Line
Poles	4	Rotation	Selective Counterclockwise
Mounting	Rigid base	Motor Orientation	HORIZONTAL
Drive End Bearing	BALL	Opp Drive End Bearing	BALL
Frame Material	Rolled Steel	Shaft Type	NEMA 56
Overall Length	11.94 in	Frame Length	8.06 in
Shaft Diameter	0.625 in	Shaft Extension	1.88 in
Assembly/Box Mounting	F1 ONLY		
Outline Drawing	A-107336LE-806	Connection Diagram	A-102006-85LE

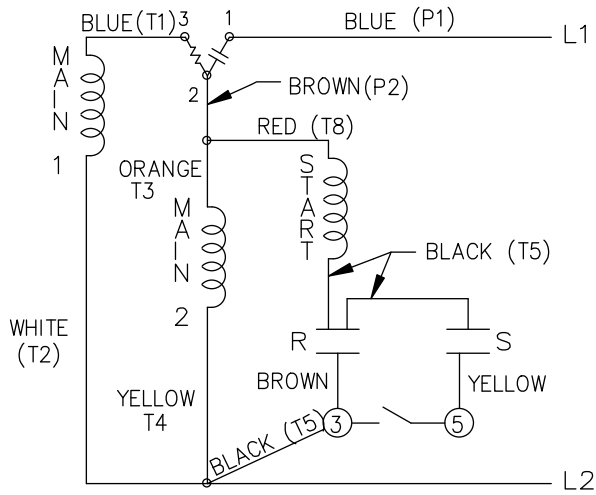
This is an uncontrolled document once printed or downloaded and is subject to change without notice. Date Created: 10/15/2018



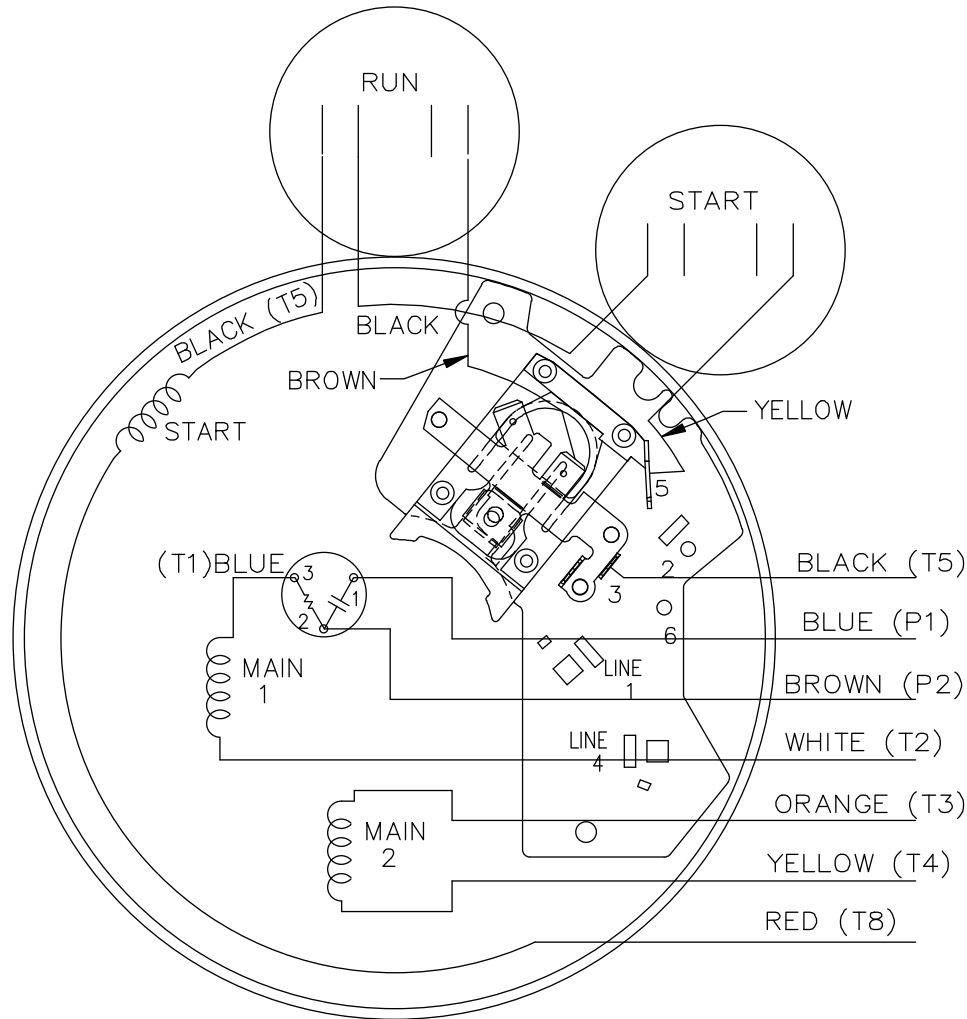
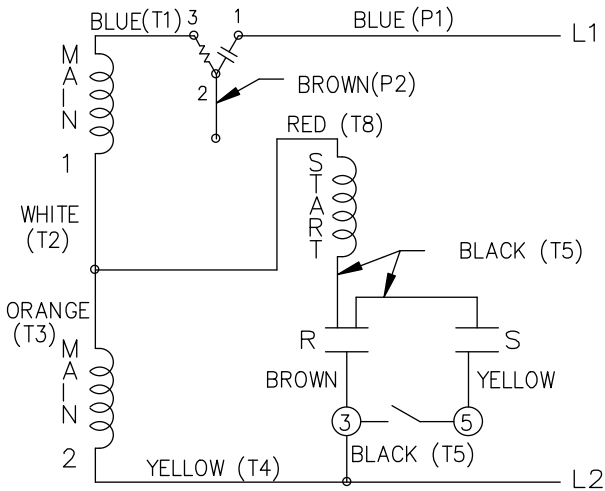
DASH	C	DASH	C
		756	11.44
606	9.94	806	11.94
656	10.44	856	12.44
706	10.94	906	12.94

				TOLERANCES UNLESS SPECIFIED		 ELECTRIC MOTORS GEARMOTORS AND DRIVES	DRAWN NB 10-18-2007		
				DEC.	INCHES		CHK VL 01-29-2008		
				.X	±.1		APPD NB 01-29-2008		
				.XX	±.03		SCALE 5=16		
				.XXX	±.005		REF 100588		
				.XXXX	±.0005	FMF ME070145			
NO.	REVISION	BY & DATE	CHK	ANG	±7'30"	FINISH	PREV ME070145OL		
THIS DRAWING IN DESIGN AND DETAIL IS OUR PROPERTY AND MUST NOT BE USED EXCEPT IN CONNECTION WITH OUR WORK ALL RIGHTS OF DESIGN AND INVENTION ARE RESERVED THIS IS AN ELECTRONICALLY GENERATED DOCUMENT - DO NOT SCALE THIS PRINT				RFP	01-29-2008	CAD FILE	107336LE	SIZE	DRAWING NO. PAGE OF REV.
				DIST	WP	A	107336LE		

LOW VOLTAGE C.C.W.



HIGH VOLTAGE C.C.W.

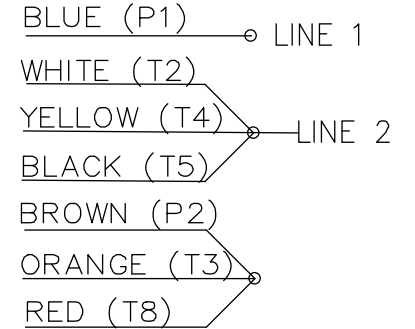


NOTE: USE P & T TERMINALS WHEN CALLED IN BOM

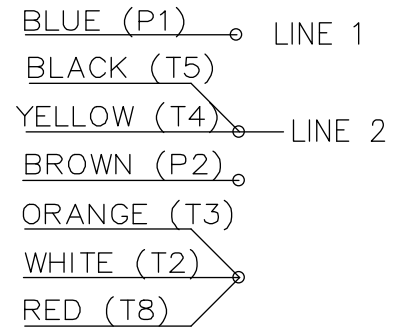
102006-85LE

DUAL VOLTAGE
CAP. START-CAP. RUN
OVERLOAD SELECT
ROTATION.

LOW VOLT. CCW ROT.



HIGH VOLT. CCW ROT.



FOR CW ROT. EITHER
VOLTAGE INTERCHANGE
RED(T8) WITH BLACK(T5) LEAD.

		TOLERANCES UNLESS SPECIFIED		LEESON		ELECTRIC MOTORS GEARMOTORS AND DRIVES		DRAWN VS 1/28/10		
		DEC.	INCHES					CHK		
		.X	±.1					APPD VS 1/28/10		
		.XX	±.02			TITLE CONNECTION DIAGRAM		SCALE 5=8		
		.XXX	±.005					REF 102006-85		
01	ADDED P & T TERMINALS	UD	09/27/13	SKM	.XXXX	±.0005	MAT'L.	FMF		
NO.	REVISION	BY & DATE		CHK	ANG	±7'30"	FINISH	PREV		
THIS DRAWING IN DESIGN AND DETAIL IS OUR PROPERTY AND MUST NOT BE USED EXCEPT IN CONNECTION WITH OUR WORK ALL RIGHTS OF DESIGN AND INVENTION ARE RESERVED THIS IS AN ELECTRONICALLY GENERATED DOCUMENT - DO NOT SCALE THIS PRINT				RFP	CAD FILE 102006-85LE			SIZE A	DRAWING NO. 102006-85LE	PAGE OF 01
				DIST	WP				REV. 01	



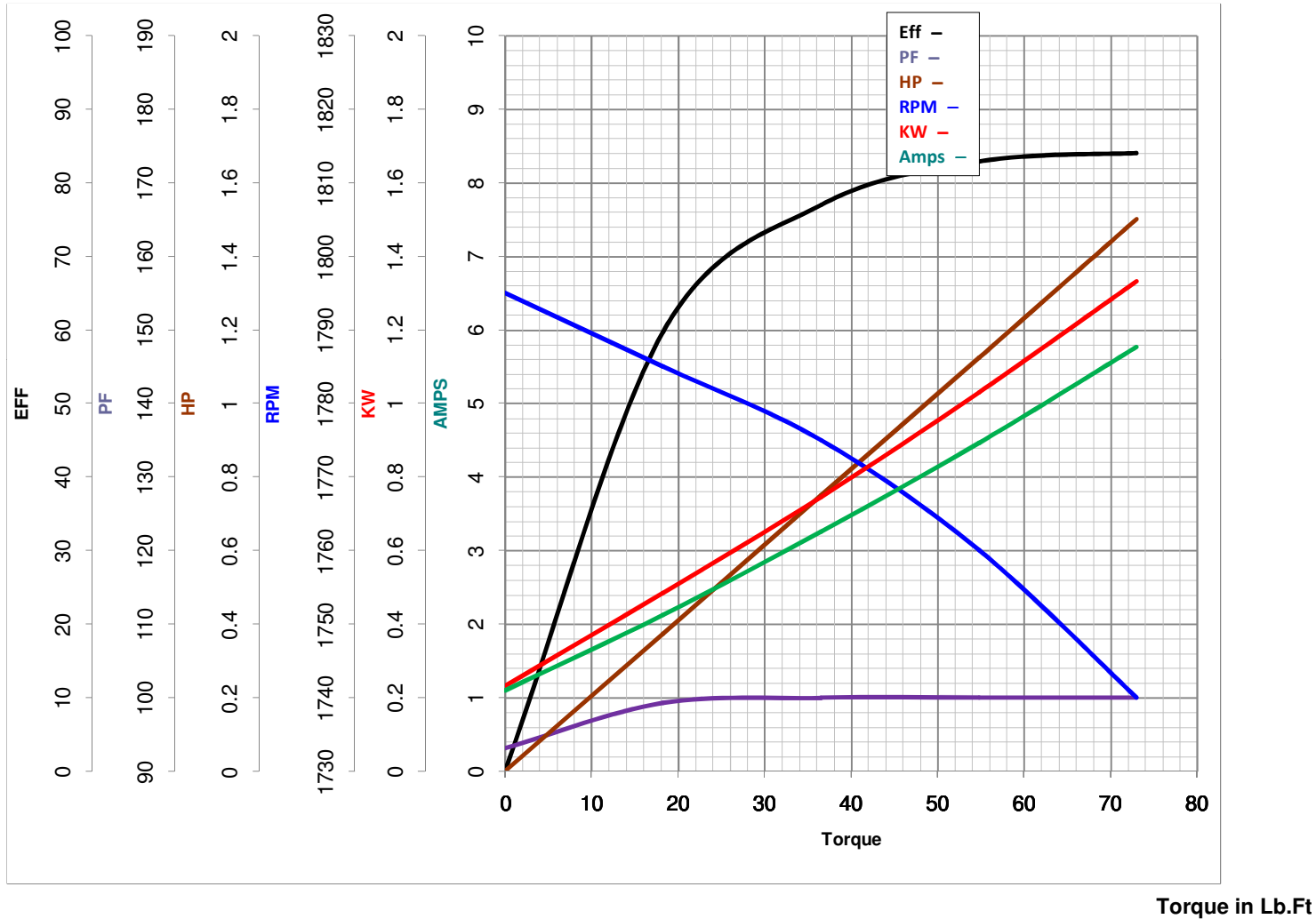
LEESON ELECTRIC CORPORATION
 TYPICAL PERFORMANCE CURVE for AC MOTOR

Model No A009594.00

Curve at 230 Volts HP 1.50 PHASE 1
60 HZ
1.5 HP VOLTS 115/230

Catalog No A009594.00

HZ 60 RPM 1725



FL TORQUE 4.563 Lb.Ft
 BD TORQUE 9.1 Lb.Ft
 LR TORQUE 5.644 Lb.Ft

FL AMPS 11.6/5.8
 PU TORQUE 5.5 Lb.Ft
 LR AMPS 30.4

WINDING ZB4187-3

Date 4/10/2018