

# PRODUCT INFORMATION PACKET



Model No: A6K17NB29A

Catalog No: A009581.00

...75HP..1725RPM.56.TEAO.115/230V.1PH.60HZ.CONT AOM.40C.1.0SF.RIGID.A6K17NB29A.....

Agricultural



Regal and Leeson are trademarks of Regal Beloit Corporation or one of its affiliated companies.

©2018 Regal Beloit Corporation, All Rights Reserved. MC017097E





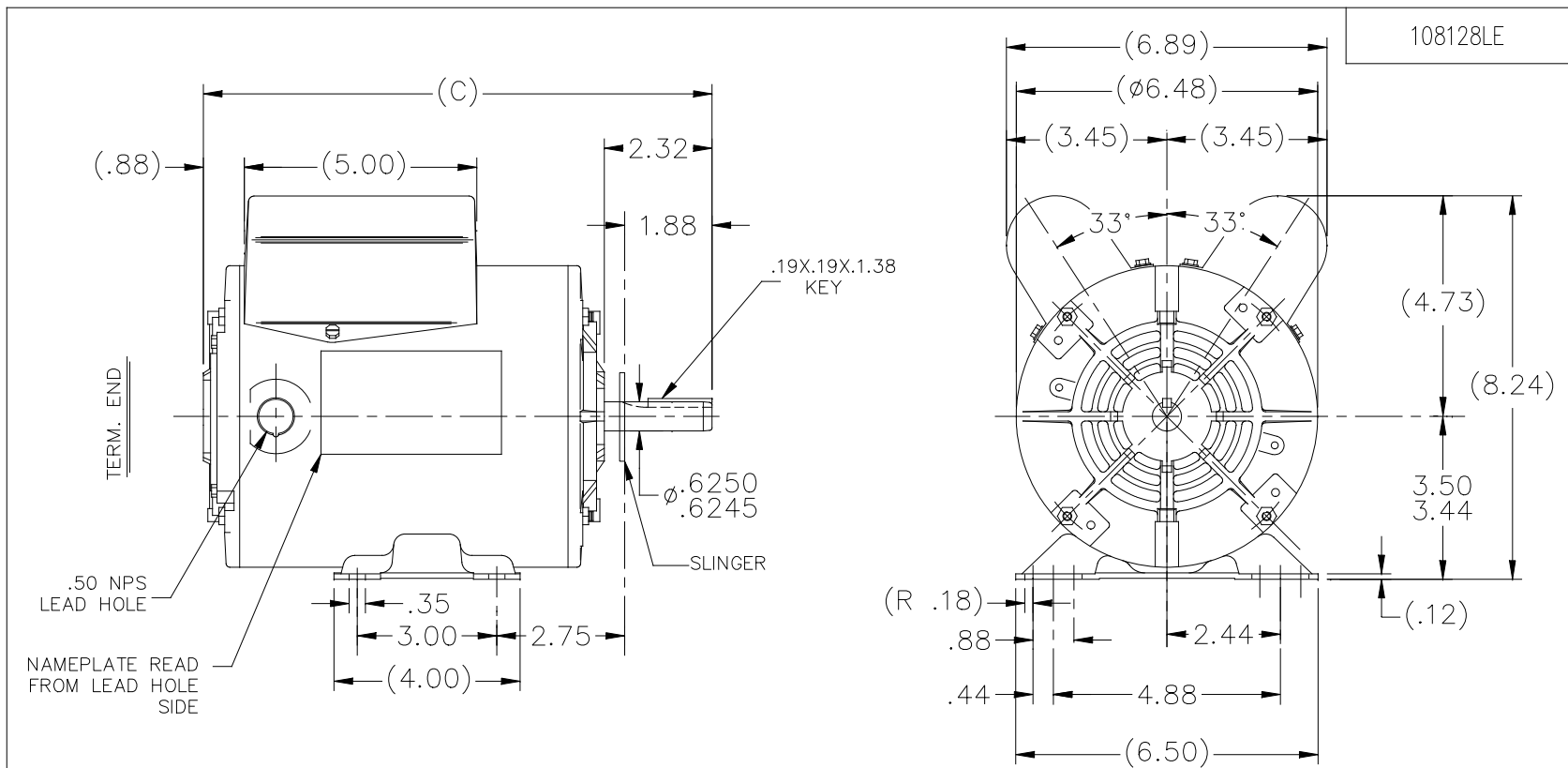
### Nameplate Specifications

Output HP	<b>0.75 Hp</b>	Output KW	<b>0.56 kW</b>
Frequency	<b>60 Hz</b>	Voltage	<b>115/230 V</b>
Current	<b>6.0/3.0 A</b>	Speed	<b>1725 rpm</b>
Service Factor	<b>1</b>	Phase	<b>1</b>
Efficiency	<b>83 %</b>	Duty	<b>Continuous</b>
Insulation Class	<b>B</b>	Design Code	<b>N</b>
KVA Code	<b>E</b>	Frame	<b>56</b>
Enclosure	<b>Totally Enclosed Air Over</b>	Overload Protector	<b>Automatic Lock Rotor Only</b>
Ambient Temperature	<b>40 °C</b>	Drive End Bearing Size	<b>6203</b>
Opp Drive End Bearing Size	<b>6203</b>	UL	<b>Recognized</b>
CSA	<b>Y</b>	CE	<b>N</b>
IP Code	<b>43</b>		


### Technical Specifications

Electrical Type	<b>Capacitor Start Capacitor Run</b>	Starting Method	<b>Across The Line</b>
Poles	<b>4</b>	Rotation	<b>Selective Counterclockwise</b>
Mounting	<b>Rigid base</b>	Motor Orientation	<b>HORIZONTAL</b>
Drive End Bearing	<b>BALL</b>	Opp Drive End Bearing	<b>BALL</b>
Frame Material	<b>Rolled Steel</b>	Shaft Type	<b>NEMA 56</b>
Overall Length	<b>10.94 in</b>	Frame Length	<b>7.06 in</b>
Shaft Diameter	<b>0.625 in</b>	Shaft Extension	<b>1.88 in</b>
Assembly/Box Mounting	<b>F1 ONLY</b>		
Outline Drawing	<b>A-108128LE-706</b>	Connection Diagram	<b>A-102006-85LE</b>

**This is an uncontrolled document once printed or downloaded and is subject to change without notice. Date Created: 10/15/2018**

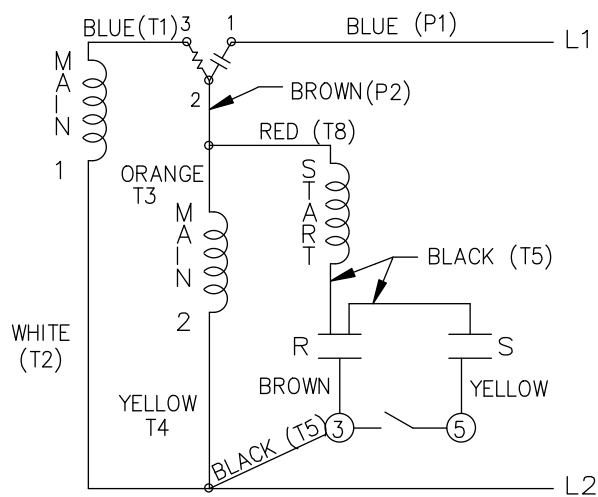


DASH	C	DASH	C
606	9.94	806	11.94
656	10.44	856	12.44
706	10.94		
756	11.44		

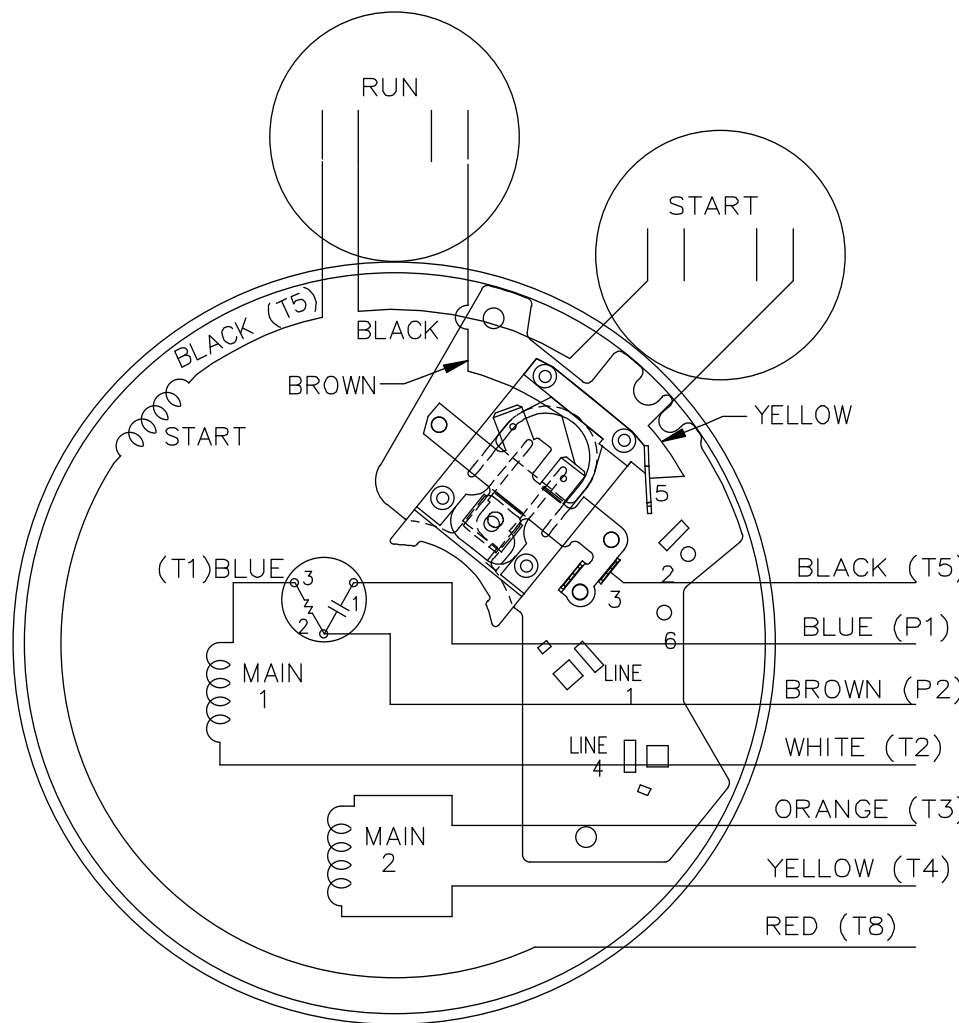
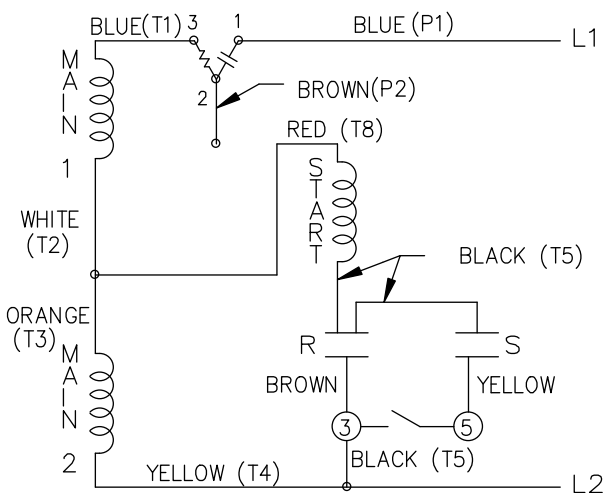
		TOLERANCES UNLESS SPECIFIED		 ELECTRIC MOTORS GEARMOTORS AND DRIVES	DRAWN PST 11/12/2013				
		DEC.	INCHES		CHK	SM 11/12/2013			
			.X	±.1		APPD			
			.XX	±.03	TITLE OUTLINE	SCALE 1:1			
			.XXX	±.005	56 FR. - TENV - BB	REF 105284			
B	ADDED DASH 856	SM 10/3/2017	SM .XXXX	±.0005	MAT'L.	FMF A009581.00			
NO.	REVISION	BY & DATE	CHK ANG	±7'30"	FINISH	PREV			
THIS DRAWING IN DESIGN AND DETAIL IS OUR PROPERTY AND MUST NOT BE USED EXCEPT IN CONNECTION WITH OUR WORK ALL RIGHTS OF DESIGN AND INVENTION ARE RESERVED THIS IS AN ELECTRONICALLY GENERATED DOCUMENT - DO NOT SCALE THIS PRINT				RFP	CAD FILE 108128LE	SIZE A	DRAWING NO. 108128LE	PAGE OF	REV. B
				DIST WP-LE					

102006-85LE

LOW VOLTAGE C.C.W.



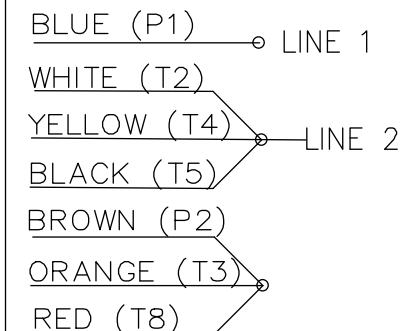
HIGH VOLTAGE C.C.W.



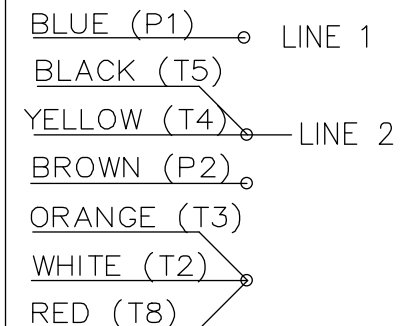
NOTE: USE P & T TERMINALS WHEN CALLED IN BOM

DUAL VOLTAGE  
CAP. START-CAP. RUN  
OVERLOAD SELECT  
ROTATION.


LOW VOLT. CCW ROT.



HIGH VOLT. CCW ROT.



FOR CW ROT. EITHER  
VOLTAGE INTERCHANGE  
RED(T8) WITH BLACK(T5) LEAD.

				TOLERANCES UNLESS SPECIFIED		 ELECTRIC MOTORS GEARMOTORS AND DRIVES	DRAWN VS 1/28/10	
				DEC.	INCHES		CHK	
				.X	±.1		APPD VS 1/28/10	
				.XX	±.02		SCALE 5=8	
				.XXX	±.005		REF 102006-85	
01	ADDED P & T TERMINALS	UD 09/27/13	SKM .XXXX	±.0005	MAT'L.		FMF	
NO.	REVISION	BY & DATE	CHK ANG	±7'30"	FINISH		PREV	
THIS DRAWING IN DESIGN AND DETAIL IS OUR PROPERTY AND MUST NOT BE USED EXCEPT IN CONNECTION WITH OUR WORK ALL RIGHTS OF DESIGN AND INVENTION ARE RESERVED THIS IS AN ELECTRONICALLY GENERATED DOCUMENT - DO NOT SCALE THIS PRINT			RFP	CAD FILE 102006-85LE		SIZE A	DRAWING NO. 102006-85LE	PAGE OF 01
			DIST WP					REV. 01

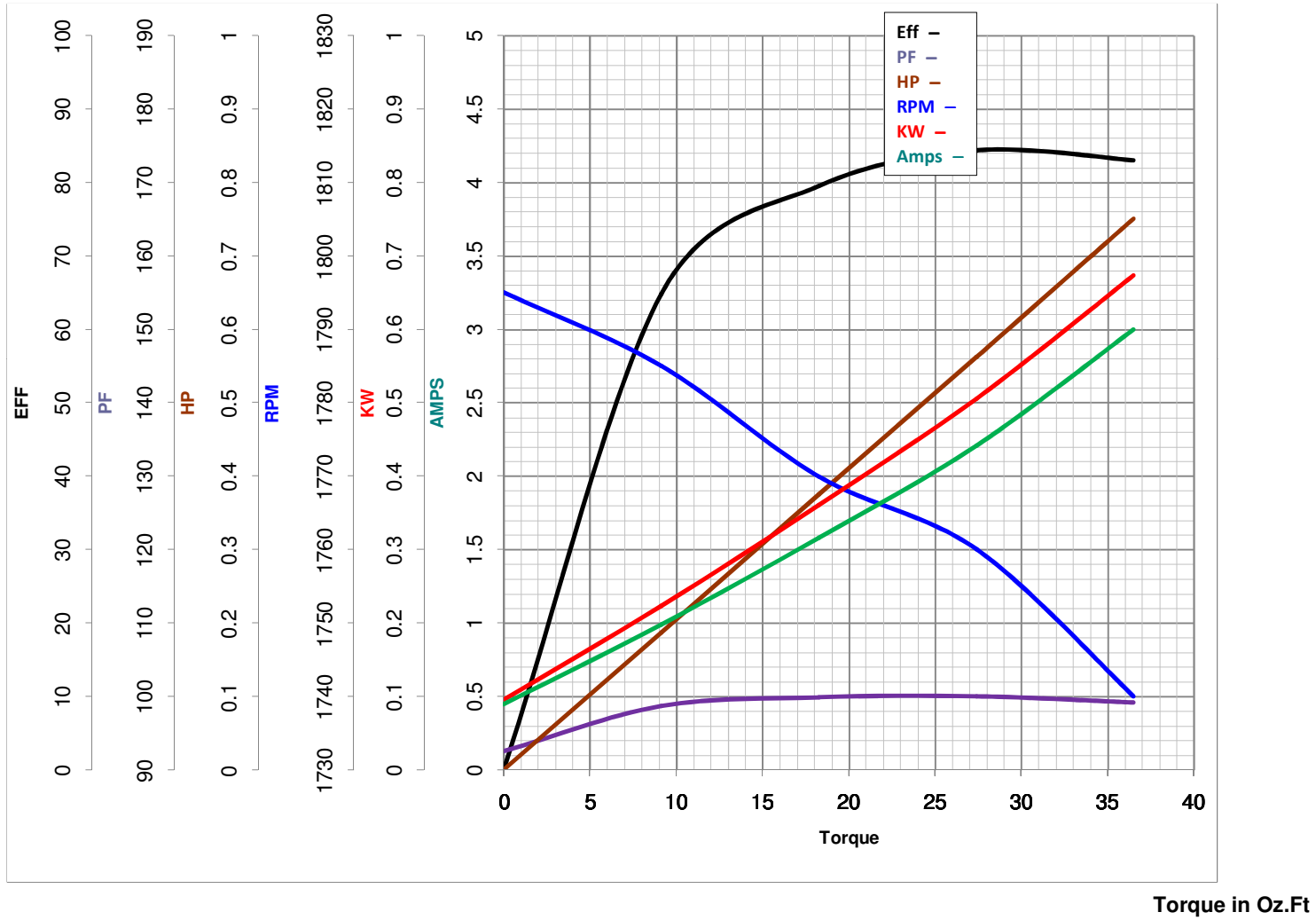


**LEESON ELECTRIC CORPORATION**  
TYPICAL PERFORMANCE CURVE for AC MOTOR

Model No A009581.00

Catalog No A009581.00

Curve at 230 Volts      HP 0.76      PHASE 1  
60 HZ  
0.75 HP      VOLTS 115/230  
                                 HZ 60      RPM 1725



FL TORQUE 36.52 Oz.Ft  
 BD TORQUE 70.0 Oz.Ft  
 LR TORQUE 52 Oz.Ft

FL AMPS 43.254  
 PU TORQUE 52.0 Oz.Ft  
 LR AMPS 15.2

WINDING ZB4189-3

Date 3/26/2018