

PRODUCT INFORMATION PACKET



Model No: A6K17NB30A

Catalog No: A009580.00

..1/2 HP..1800RPM.56.TEAO.115/230V.1PH.60HZ.CONT.40C..RIGID.....FARM AG.....
Agricultural



Regal and Leeson are trademarks of Regal Beloit Corporation or one of its affiliated companies.

©2018 Regal Beloit Corporation, All Rights Reserved. MC017097E





Nameplate Specifications

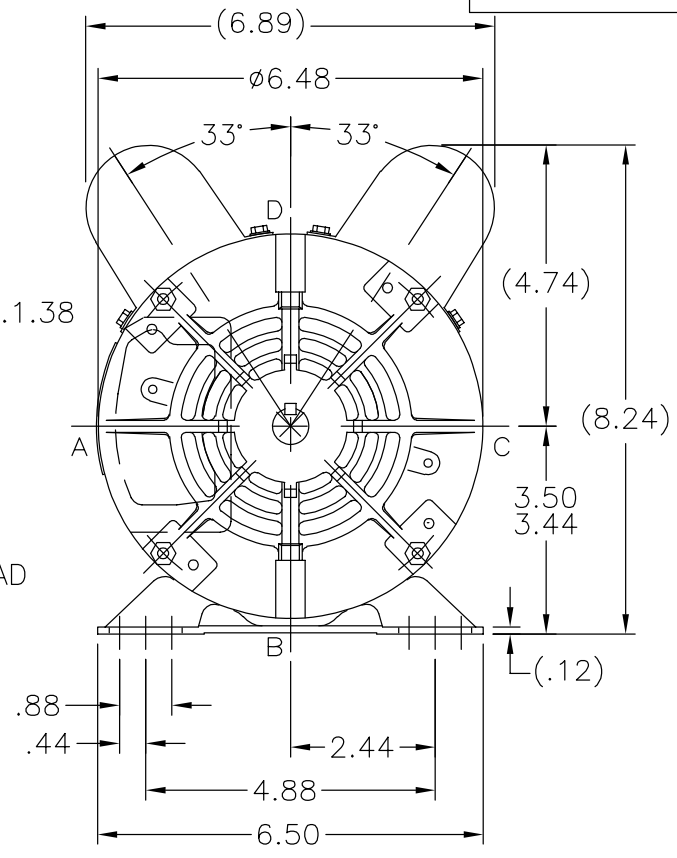
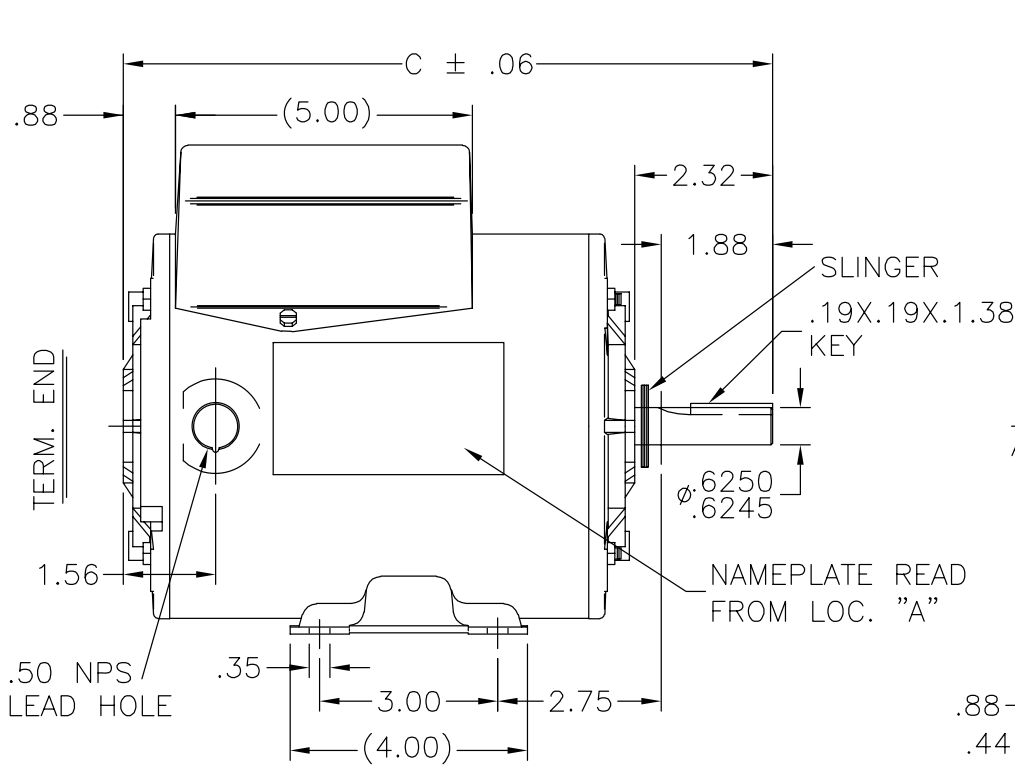
Output HP	0.50 Hp	Output KW	0.37 kW
Frequency	60 Hz	Voltage	115/230 V
Current	4.6/2.3 A	Speed	1725 rpm
Service Factor	1	Phase	1
Efficiency	81 %	Duty	Continuous
Insulation Class	B	Design Code	N
KVA Code	J	Frame	56Z
Enclosure	Totally Enclosed Air Over	Overload Protector	Automatic Lock Rotor Only
Ambient Temperature	40 °C	Drive End Bearing Size	6203
Opp Drive End Bearing Size	6203	UL	Recognized
CSA	Y	CE	N
IP Code	43		

Technical Specifications

Electrical Type	Capacitor Start Capacitor Run	Starting Method	Across The Line
Poles	4	Rotation	Selective Counterclockwise
Mounting	Rigid base	Motor Orientation	HORIZONTAL
Drive End Bearing	BALL	Opp Drive End Bearing	BALL
Frame Material	Rolled Steel	Shaft Type	Single Special Extension
Overall Length	11.44 in	Frame Length	7.56 in
Shaft Diameter	0.625 in	Shaft Extension	2.32 in
Assembly/Box Mounting	F1 ONLY		
Outline Drawing	A-SS404100-756	Connection Diagram	A-102006-85LE

This is an uncontrolled document once printed or downloaded and is subject to change without notice. Date Created: 10/15/2018

SS404100



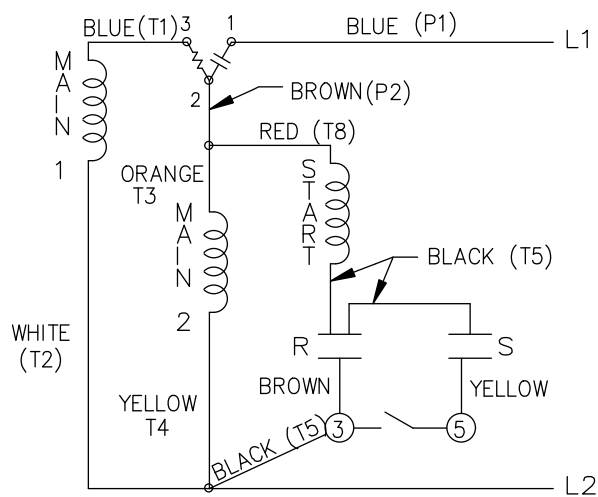
DASH	C
756	11.44
856	12.44
956	13.44

NO.	REVISION	BY & DATE	TOLERANCES UNLESS SPECIFIED		FINISH	TITLE	DRAWN	PST	DATE		
			DEC.	INCHES							
			.X	±.1		56 FR. - TENV - BB			09/02/2014		
			.XX	±			CHK		VS	09/02/2014	
			.XXX	±.005			APPD				
			.XXXX	±.0005	MAT'L.		SCALE			1:1	
						REF			104877		
						FMF			A009580.00		
						PREV					
THIS DRAWING IN DESIGN AND DETAIL IS OUR PROPERTY AND MUST NOT BE USED EXCEPT IN CONNECTION WITH OUR WORK ALL RIGHTS OF DESIGN AND INVENTION ARE RESERVED THIS IS AN ELECTRONICALLY GENERATED DOCUMENT - DO NOT SCALE THIS PRINT			RFP	CAD FILE SS404100			SIZE	DRAWING NO.	PAGE	OF	REV.
			DIST	WP				A	SS404100		

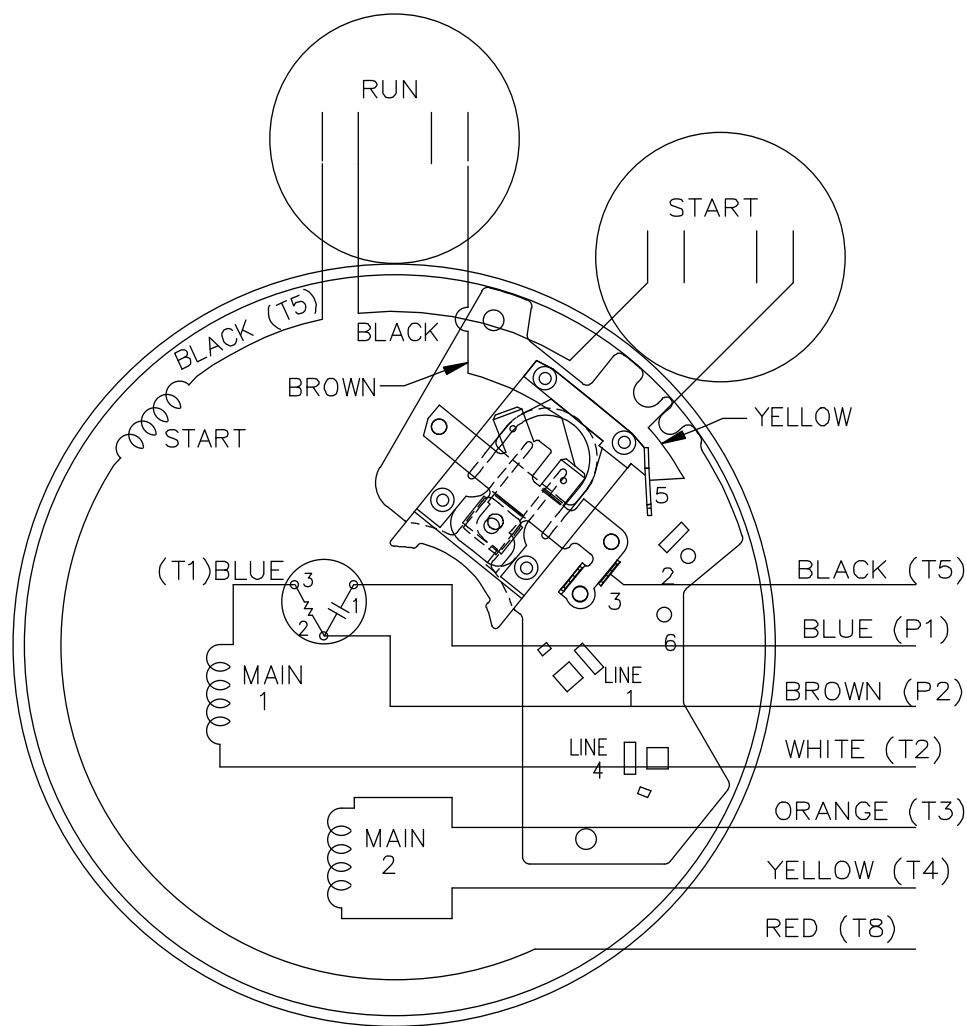
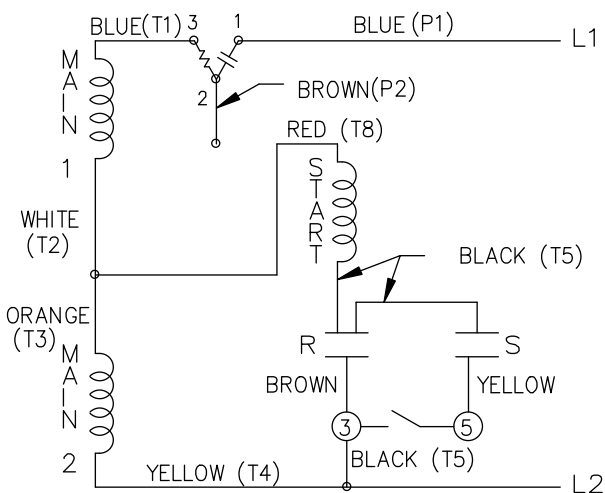


ELECTRIC MOTORS
GEARMOTORS
AND DRIVES

LOW VOLTAGE C.C.W.

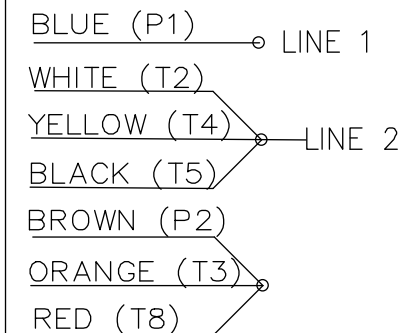


HIGH VOLTAGE C.C.W.

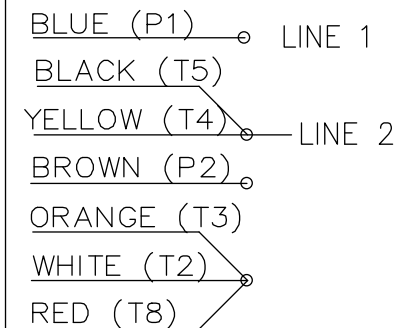


DUAL VOLTAGE
CAP. START-CAP. RUN
OVERLOAD SELECT
ROTATION.

LOW VOLT. CCW ROT.




HIGH VOLT. CCW ROT.



NOTE: USE P & T TERMINALS
WHEN CALLED IN BOM

FOR CW ROT. EITHER
VOLTAGE INTERCHANGE
RED(T8) WITH BLACK(T5) LEAD.

		TOLERANCES UNLESS SPECIFIED		 ELECTRIC MOTORS GEARMOTORS AND DRIVES	DRAWN	VS 1/28/10					
		DEC.	INCHES		CHK						
		.X	±.1		APPD	VS 1/28/10					
		.XX	±.02		SCALE	5=8					
		.XXX	±.005		REF	102006-85					
01	ADDED P & T TERMINALS	UD	09/27/13	SKM	.XXXX	±.0005	MAT'L.	FMF			
NO.	REVISION	BY & DATE	CHK	ANG	±7'30"	FINISH		PREV			
THIS DRAWING IN DESIGN AND DETAIL IS OUR PROPERTY AND MUST NOT BE USED EXCEPT IN CONNECTION WITH OUR WORK ALL RIGHTS OF DESIGN AND INVENTION ARE RESERVED THIS IS AN ELECTRONICALLY GENERATED DOCUMENT - DO NOT SCALE THIS PRINT				RFP	CAD FILE	102006-85LE	SIZE	DRAWING NO.	PAGE	OF	REV.
				DIST	WP		A	102006-85LE			01



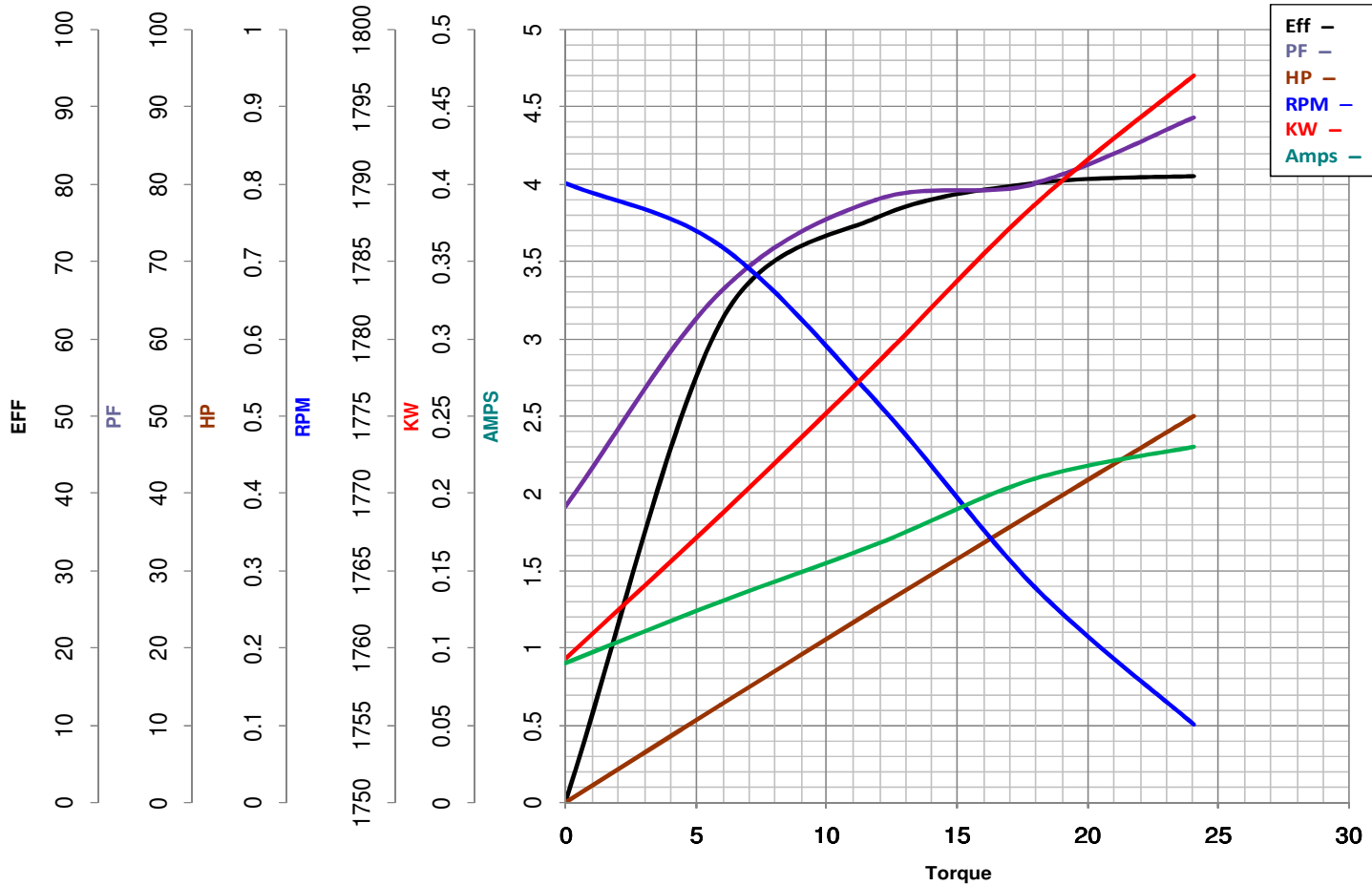
LEESON ELECTRIC CORPORATION
 TYPICAL PERFORMANCE CURVE for AC MOTOR

Model No A009580.00

Catalog No A009580.00

Curve at 230 Volts HP 0.50 PHASE 1
60 HZ
0.5 HP VOLTS 115/230

HZ 60 RPM 1725



FL TORQUE	<u>24.02</u> Oz.Ft	FL AMPS	<u>4.6/2.3</u>
BD TORQUE	<u>58.0</u> Oz.Ft	PU TORQUE	<u>47.6</u> Oz.Ft
LR TORQUE	<u>55.7</u> Oz.Ft	LR AMPS	<u>15</u>
WINDING	ZB453-3	Date	7/17/2018