

PRODUCT INFORMATION PACKET



Model No: 980.159B
Catalog No: 980.159
1/15HP.3000RPM.56D.IP44.12V.S1.40C.1,0SF.B14.COMMERCIAL DUTY.980.159B
Metric Motors



Regal and Leeson are trademarks of Regal Beloit Corporation or one of its affiliated companies.
©2018 Regal Beloit Corporation, All Rights Reserved. MC017097E





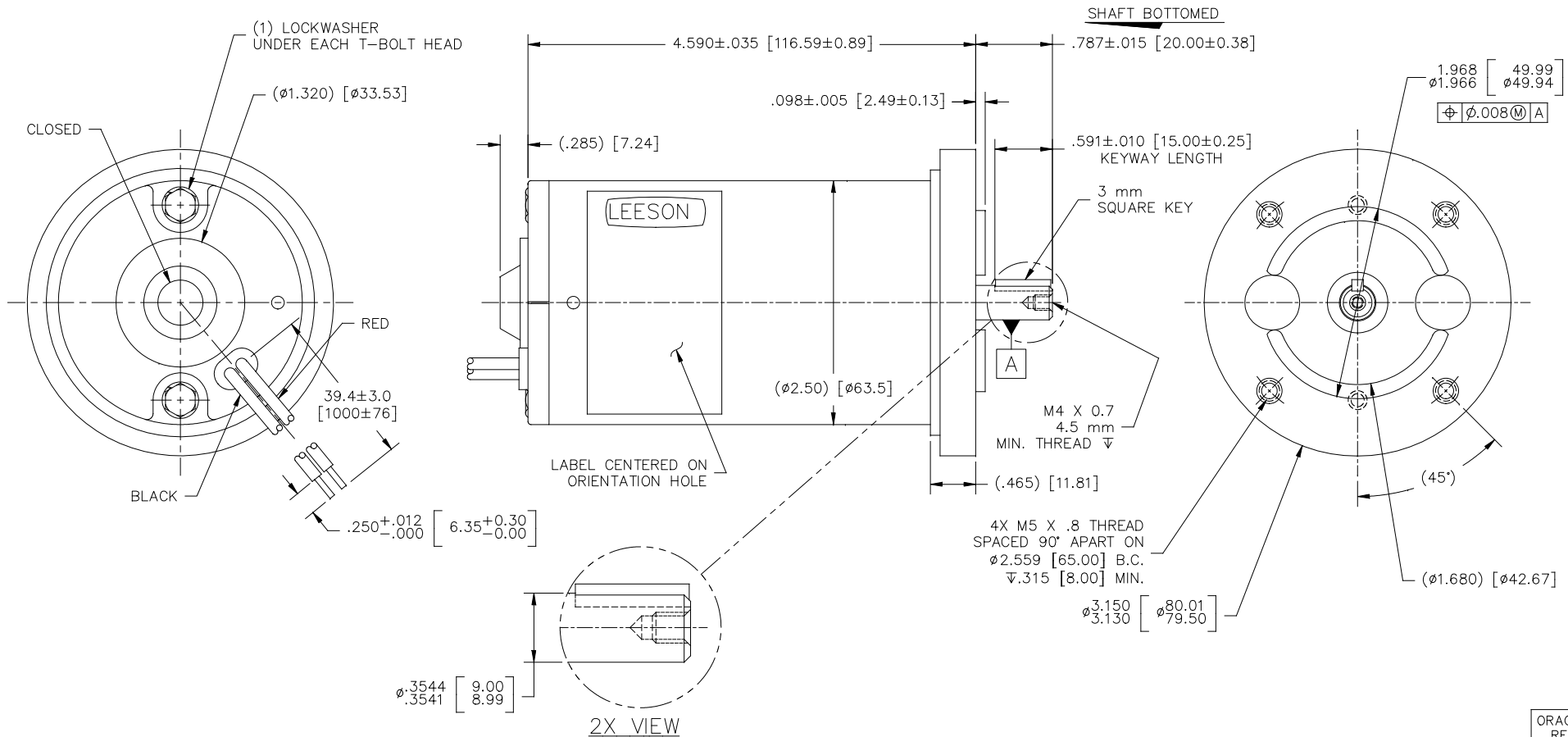
Nameplate Specifications

Output KW	0.05 kW	Voltage	12 V
Current	6.4 A	Speed	3000 rpm
Service Factor	1	Efficiency	69.7 %
Duty	S1	Insulation Class	A
Frame	56D	Enclosure	IP44
Overload Protector	No	Ambient Temperature	40 °C
UL	No	CSA	N
CE	N		

Technical Specifications

Rotation	Reversible	Mounting	B14
Overall Length	5.37 in	Frame Length	3.91 in
Shaft Diameter	0.375 in	Shaft Extension	0.787 in
Outline Drawing	980159OL	Connection Diagram	980159FI

This is an uncontrolled document once printed or downloaded and is subject to change without notice. Date Created: 10/15/2018



- NOTES:
1. ROTATION: RED POSITIVE CCWSE; REVERSIBLE
 2. LEADS: 14 AWG
 3. END PLAY: .005-.030
 4. HIPOT: 1250 VAC FOR ONE SECOND, BOTH LEADS TO CASE
 5. VOLTAGE: 12 VDC
 6. INSULATION: CLASS A 105°C
 7. BEARING SYSTEM: SLEEVE BOTH ENDS
 8. LOAD POINT: 36 oz-in @ 2900 RPM ±150 RPM

		TOLERANCES UNLESS SPECIFIED		LEESON	ELECTRIC MOTORS GEARMOTORS AND DRIVES	ORACLE	
		DEC.	INCHES			REV	REV
		.X	±.1	TITLE OUTLINE 25 FRAME DC	SCALE 1=1	DRAWN AD 8/7/01	
		.XX	±.03			CHK	
		.XXX	±.005			APPD	
		.XXXX	±.0005			REF	
C	REMOVED RUBBER BAND FROM KEY, ECO-0140897	IPG	3/5/18	MAT'L.		FMF	980.159
NO.	REVISION	BY & DATE	CHK	FINISH		PREV	
THIS DRAWING IN DESIGN AND DETAIL IS OUR PROPERTY AND MUST NOT BE USED EXCEPT IN CONNECTION WITH OUR WORK ALL RIGHTS OF DESIGN AND INVENTION ARE RESERVED THIS IS AN ELECTRONICALLY GENERATED DOCUMENT - DO NOT SCALE THIS PRINT				RFP	CAD FILE	9801590L	SIZE
				DIST			DRAWING NO. 980.1590L
							REV. C


1. HIPOT AT 1250 VAC FOR ONE SECOND ; BOTH LEADS TO CASE
2. RUN IN AT 12 VDC , 1.20 AMPS MAX AT NO LOAD
3. TORQUE SCREWS TO 20-25 LB-IN
4. LOAD TEST PER PERFORMANCE DATA BELOW
5. ROTATION: RED (+) CCW SHAFT END

CHECK TO OUTLINE DRAWING

- A. SHAFT EXTENSION
- B. LEAD EXTENSION
- C. LEAD STRIP LENGTH
- D. END PLAY
- E. ALL HOLES TAPPED PER OUTLINE DRAWING

PERFORMANCE DATA

TORQUE	SPEED	MAX AMPS
15 ozin	2900-3340	4.60
30 ozin	2570-2960	8.25
45 ozin	2240-2580	11.90

				TOLERANCES UNLESS SPECIFIED		 ELECTRIC MOTORS GEARMOTORS AND DRIVES	DRAWN AD 8/7/01		
				DEC.	INCHES		CHK		
				.X	±.1		APPD		
02	UPDATED PERFORMANCE DATA, ECN 06-1629	IPG 4/26/06	SAD	.XX	±.01	TITLE FINAL INSPECTION 25 FRAME DC	SCALE	1=1	
01	UPDATED PERFORMANCE SPECS.	JKM 11/2/01		.XXX	±.005		REF		
00	RELEASED	AD 8/7/01		.XXXX	±.0005	MAT'L.	FMF	980.159	
NO.	REVISION	BY & DATE	CHK	ANG	±1/2"	FINISH	PREV		
THIS DRAWING IN DESIGN AND DETAIL IS OUR PROPERTY AND MUST NOT BE USED EXCEPT IN CONNECTION WITH OUR WORK ALL RIGHTS OF DESIGN AND INVENTION ARE RESERVED THIS IS AN ELECTRONICALLY GENERATED DOCUMENT - DO NOT SCALE THIS PRINT				RFP	CAD FILE	980159FI	SIZE	DRAWING NO.	REV.
				DIST			A	980.159FI	02