

# PRODUCT INFORMATION PACKET



Model No: 970.601C  
Catalog No: 970.601  
..1/8HP..3000RPM.56D.IP44.24V...S1.40C.1,0SF.B14.970.601C.....COMMERCIAL DUTY.....  
Metric Motors



Regal and Leeson are trademarks of Regal Beloit Corporation or one of its affiliated companies.  
©2018 Regal Beloit Corporation, All Rights Reserved. MC017097E





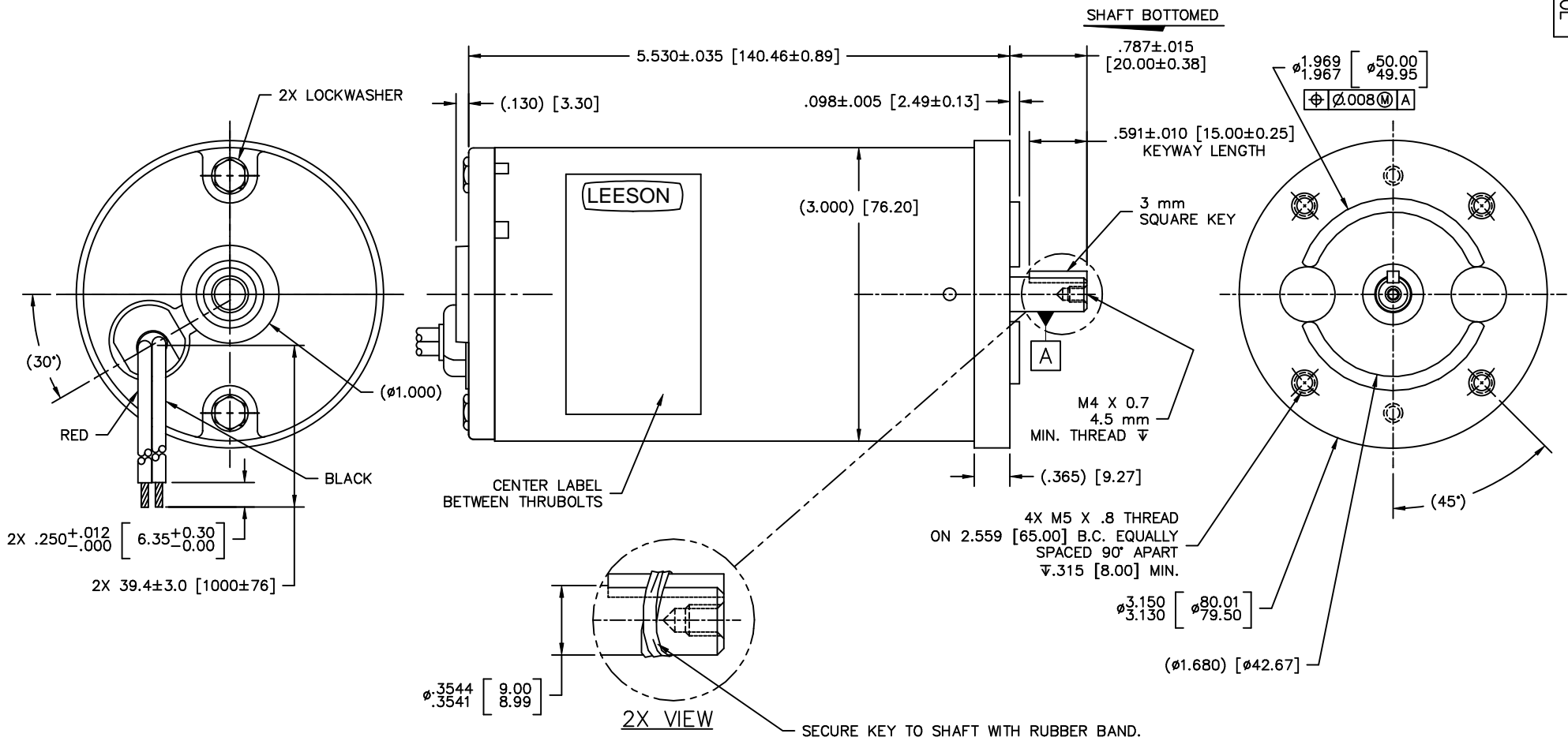
### Nameplate Specifications

Output KW	0.10 kW	Voltage	24 V
Current	5.3 A	Speed	3000 rpm
Service Factor	1	Efficiency	72.8 %
Duty	S1	Insulation Class	A
Frame	56D	Enclosure	IP44
Overload Protector	No	Ambient Temperature	40 °C
UL	Recognized	CSA	Y
CE	N		

### Technical Specifications

Rotation	Reversible	Mounting	B14
Overall Length	5.53 in	Frame Length	4.91 in
Shaft Diameter	0.375 in	Shaft Extension	0.787 in
Outline Drawing	970601OL	Connection Diagram	970601FI

This is an uncontrolled document once printed or downloaded and is subject to change without notice. Date Created: 10/15/2018



- NOTES:**
1. ROTATION: RED POSITIVE CCWSE; REVERSIBLE
  2. LEADS: 14 AWG
  3. END PLAY: .005-.030
  4. HIPOT: 1250 VAC FOR ONE SECOND, BOTH LEADS TO CASE
  5. VOLTAGE: 24 VDC
  6. INSULATION: CLASS A 105°C
  7. BEARING SYSTEM: SLEEVE BOTH ENDS
  8. LOAD POINT: 45 ozin @ 2600-2950 RPM

				TOLERANCES UNLESS OTHERWISE SPECIFIED		LEESON		LEESON ELECTRIC CORPORATION	
				DECIMALS		DRAWN DCR 11/24/98		TITLE	
002	DELETED "KELVIN"	1297	JMU	08.30.00					
001	UPDATED DRAWING TO SHOW FRONT CASTING	1013	AD	6/29/00	.00	±.01			
B	REVISE LABEL & LEAD LENGTH; ADD KEY; REV. NOTE B.	8975	WM	5/11/99	.000	±.005	CH'K'D.		OUTLINE
A	RELEASE	8821	DCR	12/2/98	.0000	±.0005	APPR.		MATL. &/or CUST.
REV	DISCRPTION	ECRN	BY	DATE	FRACTIONAL	±1/64	SCALE 1 : 1		24 VDC
THIS DRAWING IN DESIGN AND DETAIL IS OUR PROPERTY AND MUST NOT BE USED EXCEPT IN CONNECTION WITH OUR WORK ALL RIGHTS OF DESIGN AND INVENTION ARE RESERVED					ANGLES	±1/2°	P/C	REF: SI 2990-24	SIZE B
					INCH/MM		M/F		DRAWING NO. 970.6010L


1. HIPOT @ 1250 VOLTS FOR ONE SECOND, BOTH LEADS TO CASE
  2. RED LEAD POS (+)
  - BLACK LEAD NEG (-)
  3. RUN IN @ 24 VDC, .65 MAX AMPS, NO LOAD
  4. TORQUE THRU BOLTS TO 25-30 IN. LBS.
- } CCWSE

## CHECK TO OUTLINE DRAWING

- A. SHAFT EXTENSION
- B. LEAD LENGTH
- C. END PLAY
- D. SHAFT ROTATION
- E. LABEL POSITION
- F. LEAD STRIP LENGTH
- G. ALL HOLES TAPPED PER OUTLINE DRAWING

## PERFORMANCE DATA

<u>TORQUE</u>	<u>SPEED</u>	<u>MAX AMPS</u>
20 ozin	2750-3100	2.7
45 ozin	2600-2950	5.3
70 ozin	2500-2800	8.0

			TOLERANCES UNLESS SPECIFIED			ELECTRIC MOTORS GEARMOTORS AND DRIVES	DRAWN	DCR 11/24/98	
			DEC.	INCHES			CHK		
			.X	±.1			APPD		
01	DELETED "KELVIN"	JMU 8/30/00	.XX	±.01	TITLE	FINAL INSPECTION	SCALE	1=1	
B	CORRECT DRAWING DATA, UPDATED TO NEW FORMAT	AY 1/25/99	.XXX	±.005		30 FRAME DC	REF		
A	RELEASED	DCR 12/2/98	.XXXX	±.0005	MAT'L.		FMF	970.601	
NO.	REVISION	BY & DATE	CHK	ANG	±1/2'	FINISH	PREV		
THIS DRAWING IN DESIGN AND DETAIL IS OUR PROPERTY AND MUST NOT BE USED EXCEPT IN CONNECTION WITH OUR WORK ALL RIGHTS OF DESIGN AND INVENTION ARE RESERVED THIS IS AN ELECTRONICALLY GENERATED DOCUMENT - DO NOT SCALE THIS PRINT			RFP	CAD FILE		970601FI	SIZE	DRAWING NO.	
			DIST				A	970.601FI	
								REV. 01	

9/30/2008 12:01:49 AM