

PRODUCT INFORMATION PACKET



Model No: C6K17NC19 A

Catalog No: 6439191264

2HP..1800RPM.56C.TENV.115/230V.1PH.60HZ.15 MIN.NOT.40C.1.15SF.C-FACE.BOAT HOIST.

Boat Hoist Duty



Regal and Leeson are trademarks of Regal Beloit Corporation or one of its affiliated companies.

©2018 Regal Beloit Corporation, All Rights Reserved. MC017097E





Nameplate Specifications

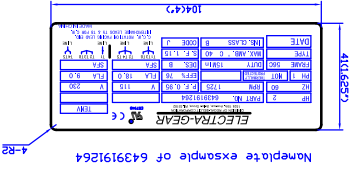
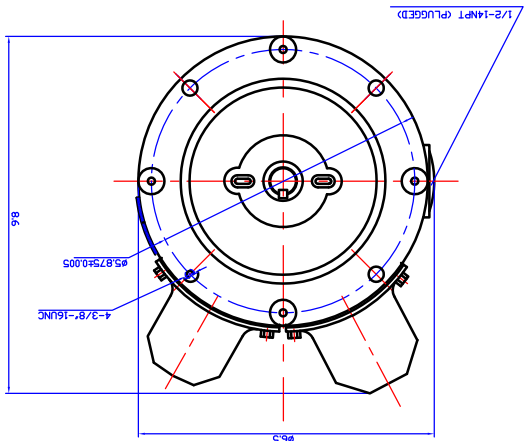
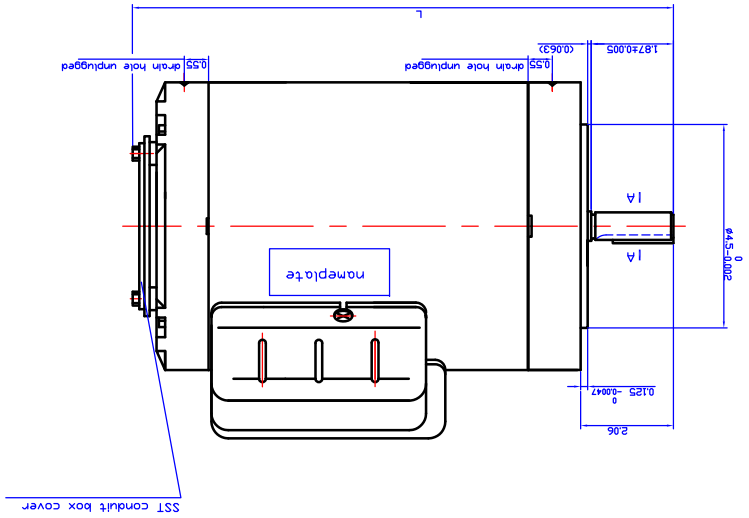
Output HP	2 Hp	Output KW	1.5 kW
Frequency	60 Hz	Voltage	115/230 V
Current	18.0/9.0 A	Speed	1725 rpm
Service Factor	1.15	Phase	1
Efficiency	76 %	Duty	15 Minute
Insulation Class	B	Design Code	N
KVA Code	J	Frame	56C
Enclosure	Totally Enclosed Non Ventilated	Overload Protector	No
Ambient Temperature	40 °C	Drive End Bearing Size	6203
Opp Drive End Bearing Size	6203	UL	Recognized
CSA	Y	CE	Y
IP Code	43		

Technical Specifications

Electrical Type	Capacitor Start Capacitor Run	Starting Method	Across The Line
Poles	4	Rotation	Selective Counterclockwise
Mounting	Round	Motor Orientation	HORIZONTAL
Drive End Bearing	BALL	Opp Drive End Bearing	BALL
Frame Material	Stainless Steel	Shaft Type	T
Overall Length	13.40 in	Frame Length	7.68 in
Shaft Diameter	0.625 in	Shaft Extension	1.88 in
Assembly/Box Mounting	F1 ONLY		
Outline Drawing	169993.00	Connection Diagram	005054.01

This is an uncontrolled document once printed or downloaded and is subject to change without notice. Date Created: 10/15/2018

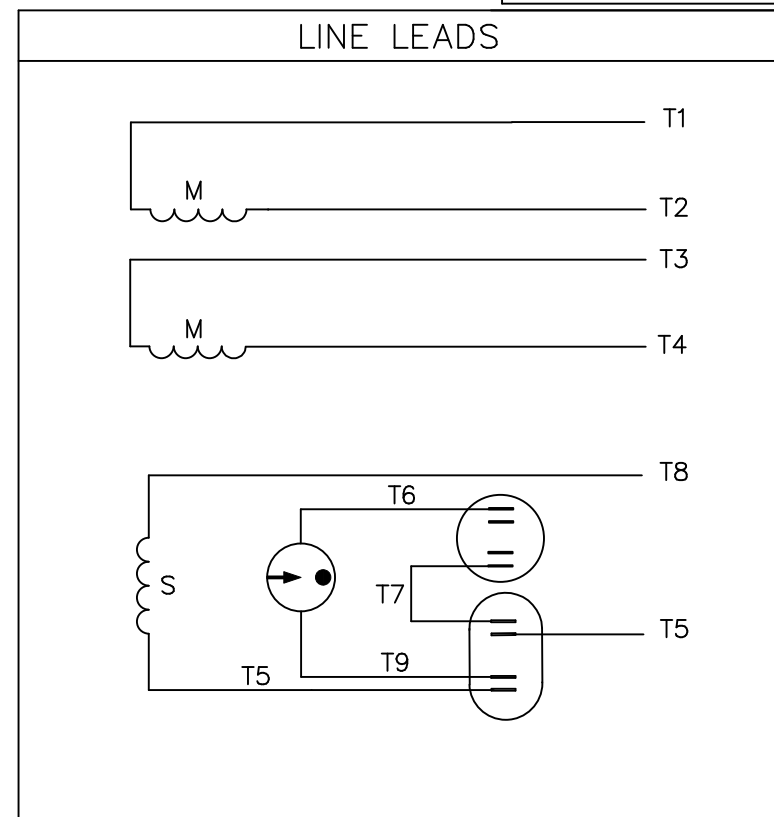
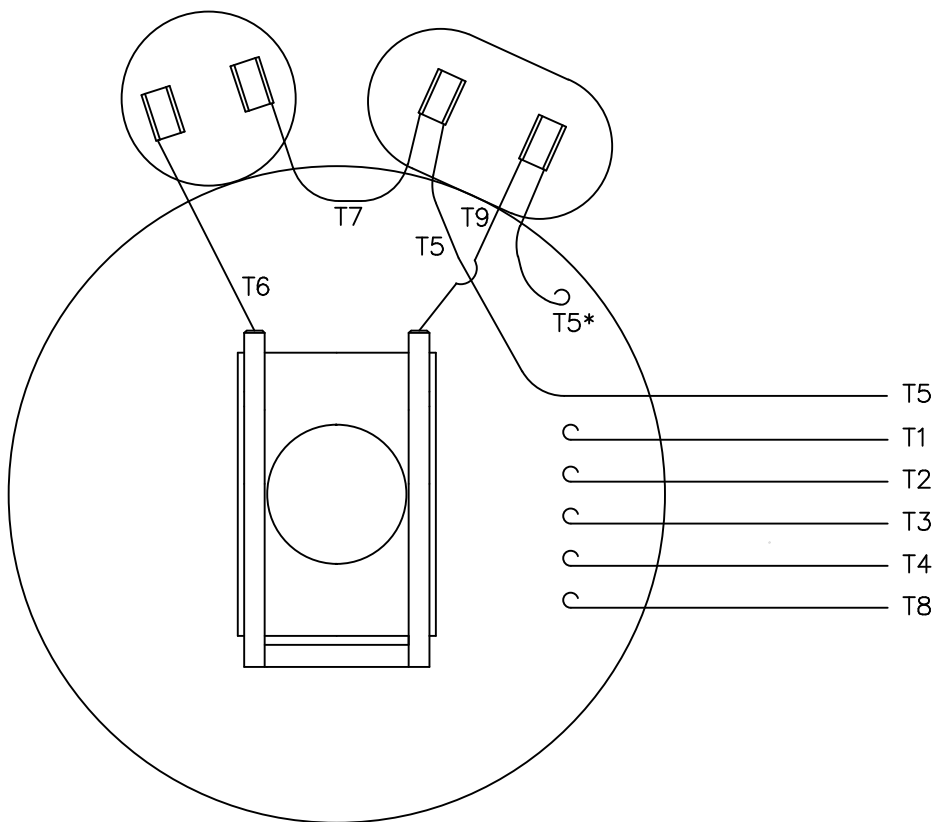
6439191264	S6C	2	115/230	1725	60	1	TENV	1.15	15min.	Duty	thermal protector L
6439191263	S6C	1.5	115/230	1725	60	1	TENV	1.15			
	Electro.Co.t FRAME HP	Volt	RPM	Hz	PH	Encl.	S.F.				



THIS DRAWING IN DESIGN AND DETAIL IS OUR PROPERTY AND MUST NOT BE USED EXCEPT IN CONNECTION WITH OUR WORK ALL RIGHTS OF DESIGN AND INVENTION ARE RESERVED THIS IS AN ELECTRONICALLY GENERATED DOCUMENT - DO NOT SCALE THIS PRINT											
NO.	REVISION				BY & DATE	CHK'D.	SCALE	FHF.	REF.	DATE	REV.
	TOLERANCES UNLESS OTHERWISE SPECIFIED										
DRAWN APPR. CUSTOMER TITLE											
6439191263, 6439191264 outline drawing											
DRAFTING NO.											

- Note:
- The capacitor leads to be connected using flag terminals.
 - All the hardware are using SST.
 - Drain holes at 6:00.
 - C flange mounting holes have plugs.

VIEW FROM OUTSIDE OF MOTOR AT SWITCH END.



	ROTATION FACING LEAD END	L1	L2	JOIN
HIGH VOLT	C.C.W.	T1	T4 T5	T2,T3 T8
	C.W.	T1	T4 T8	T2,T3 T5
LOW VOLT	C.C.W.	T1 T3,T8	T2,T4 T5	
	C.W.	T1,T3 T5	T2,T4 T8	

* THIS LEAD MAY BE WHITE

		TOLERANCES UNLESS SPECIFIED		LEESON ELECTRIC MOTORS GEARMOTORS AND DRIVES		DRAWN JRW 09/27/74			
		DEC.	INCHES			CHK	TEM		
		.X	±.1			APPD	10/11/74		
11	ALTERNATE T5 LEAD MARKING WAS RED	RLW	8/6/02	.XX	±.01	TITLE	SCALE 1=1		
10	ADDED ALTERNATE T5 LEAD MARKING	RLW	6/5/02	KH	.XXX ±.005	EXT. WIRING DIAGRAM TYPE "K" W/O PROTECTOR	REF A-005053		
09	REDRAWN TO CAD	DBT	05/28/97		.XXXX ±.0005	MAT'L. DECAL-004012	FMF W-K6343		
NO.	REVISION	BY & DATE	CHK	ANG	±1/2"	FINISH	PREV		
THIS DRAWING IN DESIGN AND DETAIL IS OUR PROPERTY AND MUST NOT BE USED EXCEPT IN CONNECTION WITH OUR WORK ALL RIGHTS OF DESIGN AND INVENTION ARE RESERVED THIS IS AN ELECTRONICALLY GENERATED DOCUMENT - DO NOT SCALE THIS PRINT				RFP	CAD FILE	00505401	SIZE	DRAWING NO.	REV.
				DIST	BRF-NLV		A	005054-01	11



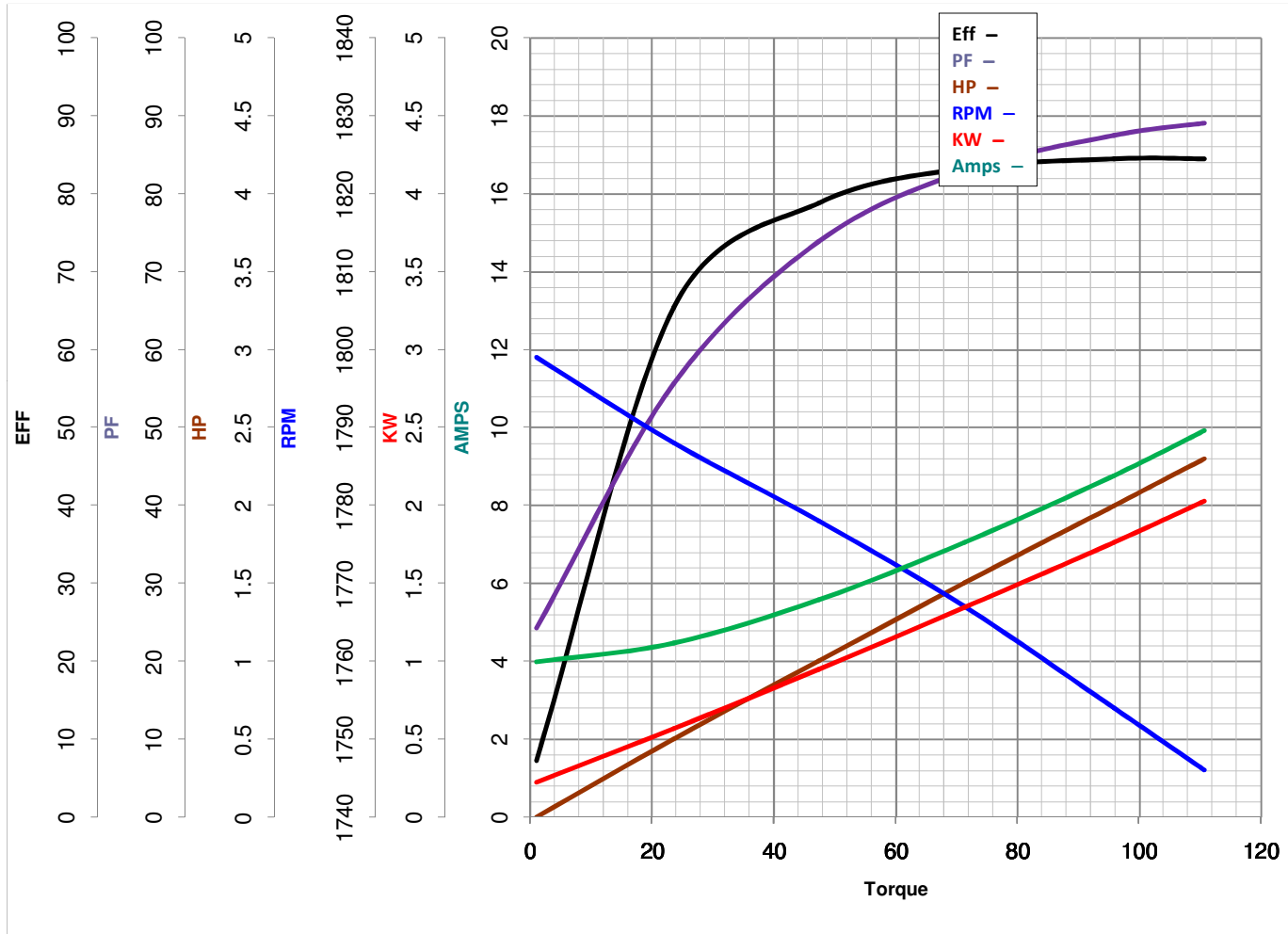
LEESON ELECTRIC CORPORATION
TYPICAL PERFORMANCE CURVE for AC MOTOR

Model No 6439191264

Curve at 230 Volts HP 2.00 PHASE 1
60 HZ
2 HP VOLTS 115/230

Catalog No 6439191264

HZ 60 RPM 1725



Torque in Lb.Ft

FL TORQUE 5.988 Lb.Ft
BD TORQUE 16.9 Lb.Ft
LR TORQUE 13.79 Lb.Ft

FL AMPS 18.0/9.0
PU TORQUE 11.3 Lb.Ft
LR AMPS 69.3

WINDING QK63412-3

Date 3/26/2018