

# PRODUCT INFORMATION PACKET



Model No: C6K17NC18 A

Catalog No: 6439191263

1.5HP..1800RPM.56C.TENV.115/230V.1PH.60HZ.15 MIN.NOT.40C.1.15SF.C-FACE.BOAT HOIST.  
Boat Hoist Duty



Regal and Leeson are trademarks of Regal Beloit Corporation or one of its affiliated companies.

©2018 Regal Beloit Corporation, All Rights Reserved. MC017097E





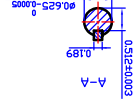
### Nameplate Specifications

|                            |                                 |                        |            |
|----------------------------|---------------------------------|------------------------|------------|
| Output HP                  | 1.50 Hp                         | Output KW              | 1.1 kW     |
| Frequency                  | 60 Hz                           | Voltage                | 115/230 V  |
| Current                    | 15.2/7.6 A                      | Speed                  | 1725 rpm   |
| Service Factor             | 1.15                            | Phase                  | 1          |
| Efficiency                 | 75 %                            | Duty                   | 15 Minute  |
| Insulation Class           | B                               | Design Code            | N          |
| KVA Code                   | K                               | Frame                  | 56C        |
| Enclosure                  | Totally Enclosed Non Ventilated | Overload Protector     | No         |
| Ambient Temperature        | 40 °C                           | Drive End Bearing Size | 6203       |
| Opp Drive End Bearing Size | 6203                            | UL                     | Recognized |
| CSA                        | Y                               | CE                     | Y          |
| IP Code                    | 43                              |                        |            |

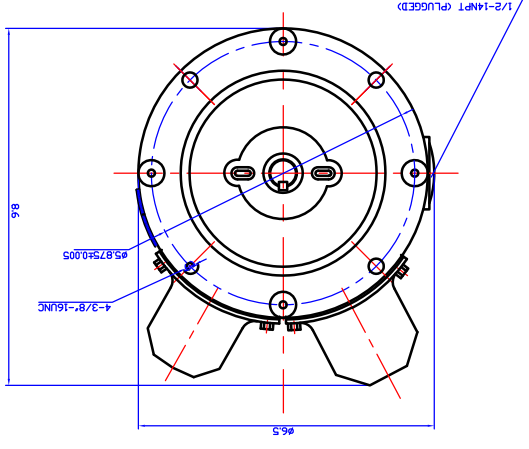
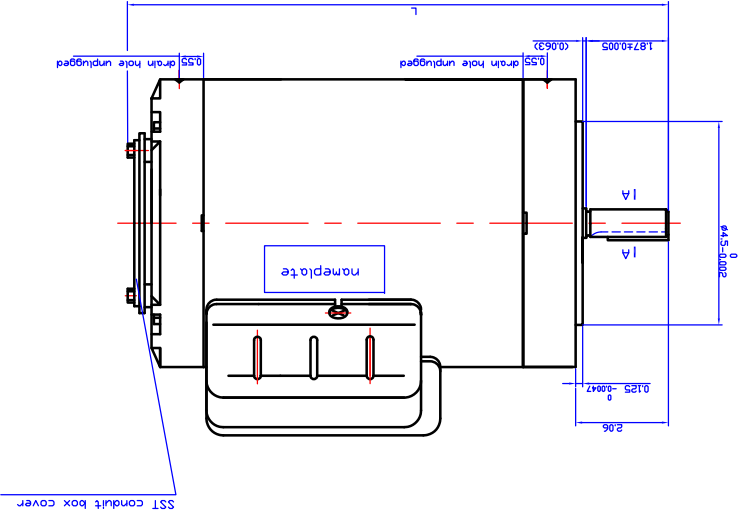
### Technical Specifications

|                       |                               |                       |                            |
|-----------------------|-------------------------------|-----------------------|----------------------------|
| Electrical Type       | Capacitor Start Capacitor Run | Starting Method       | Across The Line            |
| Poles                 | 4                             | Rotation              | Selective Counterclockwise |
| Mounting              | Round                         | Motor Orientation     | HORIZONTAL                 |
| Drive End Bearing     | BALL                          | Opp Drive End Bearing | BALL                       |
| Frame Material        | Stainless Steel               | Shaft Type            | T                          |
| Overall Length        | 12.60 in                      | Frame Length          | 7.26 in                    |
| Shaft Diameter        | 0.625 in                      | Shaft Extension       | 1.88 in                    |
| Assembly/Box Mounting | F1 ONLY                       |                       |                            |
| Outline Drawing       | 169993.00                     | Connection Diagram    | 005054.01                  |

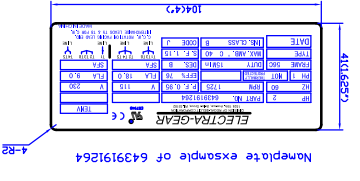
This is an uncontrolled document once printed or downloaded and is subject to change without notice. Date Created: 10/15/2018



|            |     |     |         |      |    |   |      |      |        |      |                     |
|------------|-----|-----|---------|------|----|---|------|------|--------|------|---------------------|
| 6439191264 | S6C | 2   | 115/230 | 1725 | 60 | 1 | TENV | 1.15 | 15min. | Duty | thermal protector L |
| 6439191263 | S6C | 1.5 | 115/230 | 1725 | 60 | 1 | TENV | 1.15 |        |      |                     |
|            |     |     |         |      |    |   |      |      |        |      | 13.4                |
|            |     |     |         |      |    |   |      |      |        |      | 12.6                |

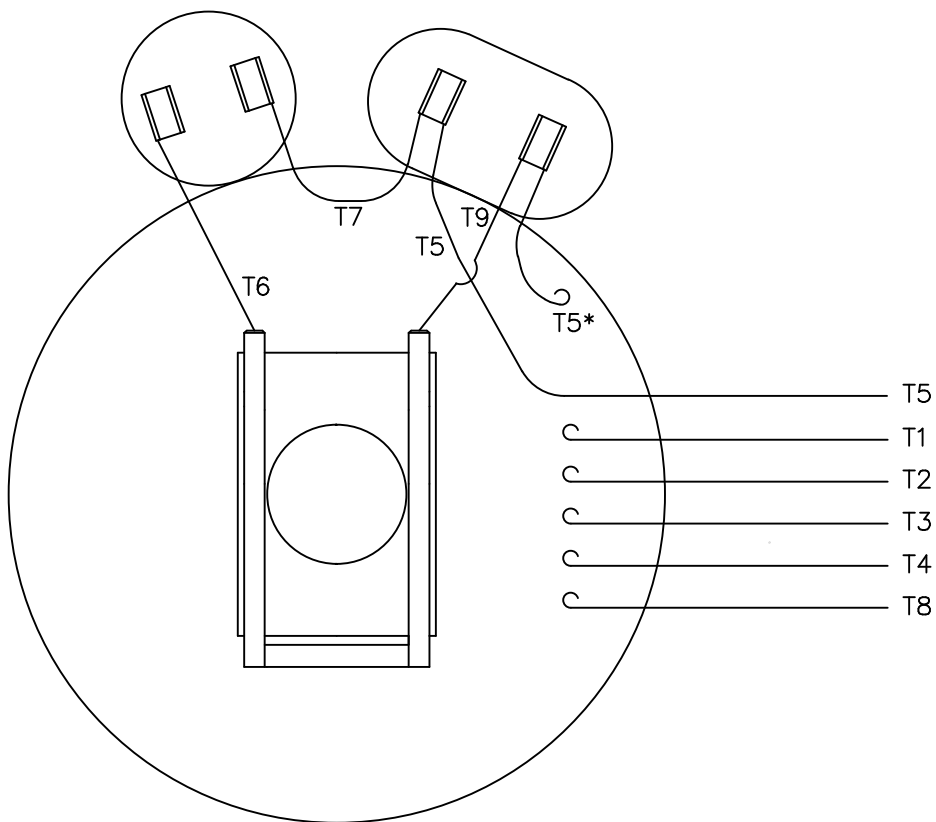


- Note:
- The capacitor leads to be connected using flag terminals.
  - All the hardware are using SST.
  - Drain holes at 6:00.
  - C flange mounting holes have plugs.

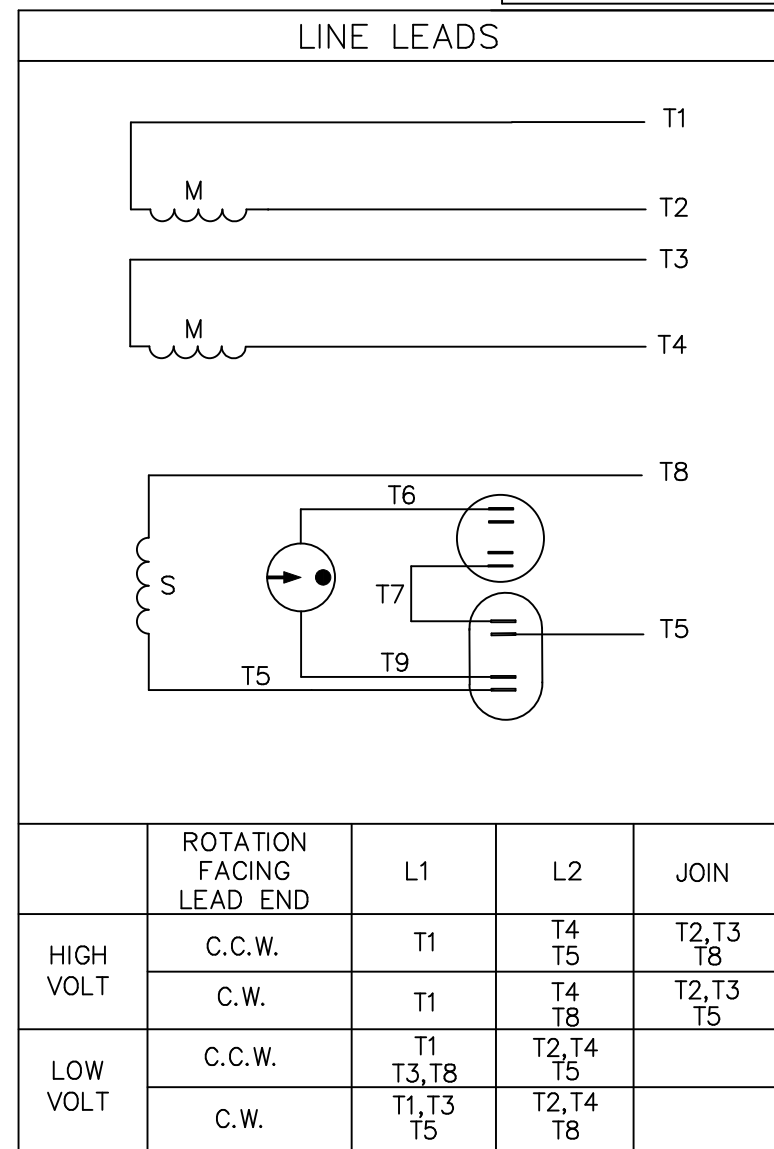


|   |          |           |        |       |      |      |           |      |  |                                       |  |
|---|----------|-----------|--------|-------|------|------|-----------|------|--|---------------------------------------|--|
| THIS DRAWING IN DESIGN AND DETAIL IS OUR PROPERTY AND MUST NOT BE USED EXCEPT IN CONNECTION WITH OUR WORK ALL RIGHTS OF DESIGN AND INVENTION ARE RESERVED |          |           |        |       |      |      |           |      |  |                                       |  |
| THIS IS AN ELECTRONICALLY GENERATED DOCUMENT - DO NOT SCALE THIS PRINT  |          |           |        |       |      |      |           |      |  |                                       |  |
| NO.   | REVISION | BY & DATE | CHK'D. | SCALE | REF. | FHF. | DATE      | REV. | DRAWING NO.                            |                                       |  |
|   |          |           |        |       |      |      | 2009.9.29 |      |  |                                       |  |
|   |          |           |        |       |      |      |           |      | CUSTOMER                               |                                       |  |
|   |          |           |        |       |      |      |           |      | 6439191263, 6439191264 outline drawing |                                       |  |
|   |          |           |        |       |      |      |           |      | TITLE                                  |                                       |  |
|   |          |           |        |       |      |      |           |      |  | TOLERANCES UNLESS OTHERWISE SPECIFIED |  |

VIEW FROM OUTSIDE OF MOTOR AT SWITCH END.



\* THIS LEAD MAY BE WHITE



| NO. | REVISION                          | BY & DATE    | CHK | ANG          | TOLERANCES UNLESS SPECIFIED |        |
|-----|-----------------------------------|--------------|-----|--------------|-----------------------------|--------|
|     |                                   |              |     |              | DEC.                        | INCHES |
|     |                                   |              |     |              | .X                          | ±.1    |
| 11  | ALTERNATE T5 LEAD MARKING WAS RED | RLW 8/6/02   | .XX | ±.01         |                             |        |
| 10  | ADDED ALTERNATE T5 LEAD MARKING   | RLW 6/5/02   | KH  | .XXX ±.005   |                             |        |
| 09  | REDRAWN TO CAD                    | DBT 05/28/97 |     | .XXXX ±.0005 |                             |        |
|     |                                   |              |     | ±1/2"        |                             |        |



ELECTRIC MOTORS  
GEARMOTORS  
AND DRIVES

|       |              |
|-------|--------------|
| DRAWN | JRW 09/27/74 |
| CHK   | TEM          |
| APPD  | 10/11/74     |
| SCALE | 1=1          |
| REF   | A-005053     |
| FMF   | W-K6343      |
| PREV  |              |

TITLE  
EXT. WIRING DIAGRAM  
TYPE "K" W/O PROTECTOR

MAT'L. DECAL-004012

FINISH

THIS DRAWING IN DESIGN AND DETAIL IS OUR PROPERTY AND MUST NOT BE USED EXCEPT IN CONNECTION WITH OUR WORK ALL RIGHTS OF DESIGN AND INVENTION ARE RESERVED THIS IS AN ELECTRONICALLY GENERATED DOCUMENT - DO NOT SCALE THIS PRINT

RFP  
CAD FILE 00505401  
DIST BRF-NLV

SIZE A  
DRAWING NO. 005054-01  
REV. 11



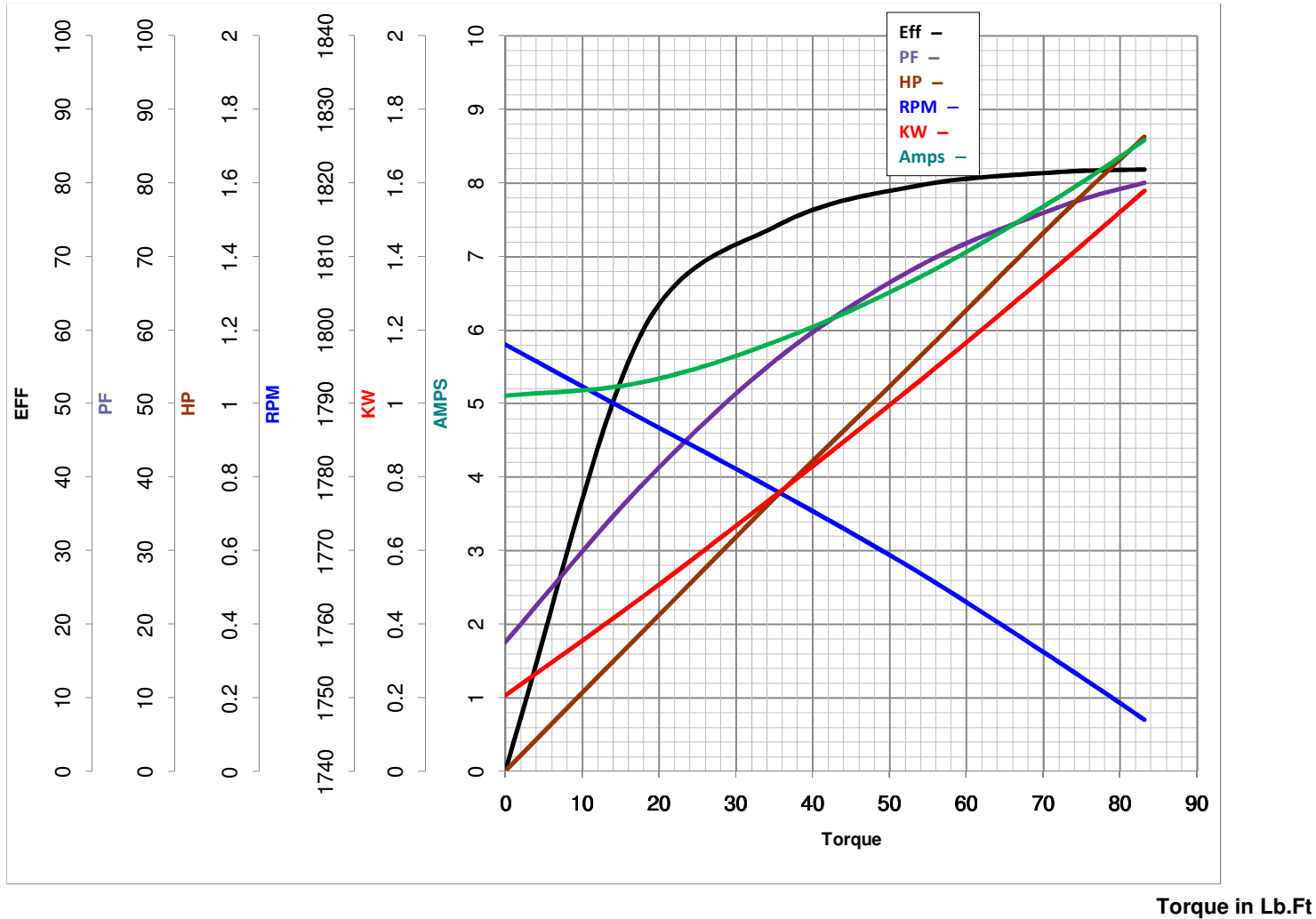
**LEESON ELECTRIC CORPORATION**  
 TYPICAL PERFORMANCE CURVE for AC MOTOR

Model No 6439191263

Curve at 230 Volts      HP 1.50      PHASE 1  
60 HZ  
1.5 HP      VOLTS 115/230

Catalog No 6439191263

HZ 60      RPM 1725



|                  |                    |                  |                   |
|------------------|--------------------|------------------|-------------------|
| <b>FL TORQUE</b> | <u>4.488</u> Lb.Ft | <b>FL AMPS</b>   | <u>15.2/7.6</u>   |
| <b>BD TORQUE</b> | <u>14.0</u> Lb.Ft  | <b>PU TORQUE</b> | <u>11.4</u> Lb.Ft |
| <b>LR TORQUE</b> | <u>13.94</u> Lb.Ft | <b>LR AMPS</b>   | <u>60.8</u>       |
| <b>WINDING</b>   | <u>QK63411-3</u>   | <b>Date</b>      | <u>4/23/2018</u>  |