

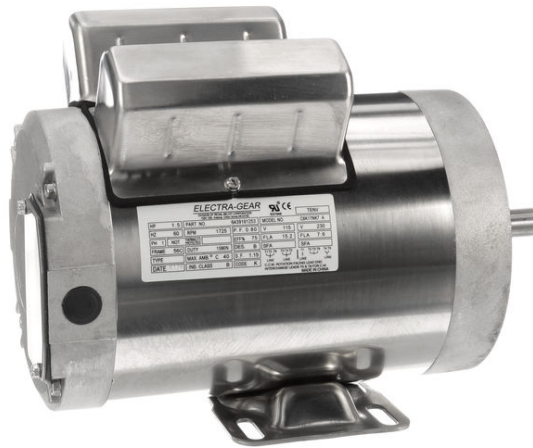
# PRODUCT INFORMATION PACKET



Model No: C6K17NK7 A

Catalog No: 6439191253

1.5HP..1800RPM.56C.TENV.115/230V.1PH.60HZ.15 MIN.NOT.40C.1.15SF.RIGID-C.BOAT HOIST.  
Boat Hoist Duty



Regal and Leeson are trademarks of Regal Beloit Corporation or one of its affiliated companies.

©2018 Regal Beloit Corporation, All Rights Reserved. MC017097E





### Nameplate Specifications

|                            |                                 |                        |            |
|----------------------------|---------------------------------|------------------------|------------|
| Output HP                  | 1.50 Hp                         | Output KW              | 1.1 kW     |
| Frequency                  | 60 Hz                           | Voltage                | 115/230 V  |
| Current                    | 15.2/7.6 A                      | Speed                  | 1725 rpm   |
| Service Factor             | 1.15                            | Phase                  | 1          |
| Efficiency                 | 75 %                            | Duty                   | 15 Minute  |
| Insulation Class           | B                               | Design Code            | N          |
| KVA Code                   | K                               | Frame                  | 56C        |
| Enclosure                  | Totally Enclosed Non Ventilated | Overload Protector     | No         |
| Ambient Temperature        | 40 °C                           | Drive End Bearing Size | 6203       |
| Opp Drive End Bearing Size | 6203                            | UL                     | Recognized |
| CSA                        | Y                               | CE                     | Y          |
| IP Code                    | 43                              |                        |            |

### Technical Specifications

|                       |                               |                       |                            |
|-----------------------|-------------------------------|-----------------------|----------------------------|
| Electrical Type       | Capacitor Start Capacitor Run | Starting Method       | Across The Line            |
| Poles                 | 4                             | Rotation              | Selective Counterclockwise |
| Mounting              | Rigid base                    | Motor Orientation     | HORIZONTAL                 |
| Drive End Bearing     | BALL                          | Opp Drive End Bearing | BALL                       |
| Frame Material        | Stainless Steel               | Shaft Type            | T                          |
| Overall Length        | 12.60 in                      | Frame Length          | 7.26 in                    |
| Shaft Diameter        | 0.625 in                      | Shaft Extension       | 1.88 in                    |
| Assembly/Box Mounting | F1 ONLY                       |                       |                            |
| Outline Drawing       | 169994.00                     | Connection Diagram    | 005054.01                  |

This is an uncontrolled document once printed or downloaded and is subject to change without notice. Date Created: 10/15/2018

TOLERANCES UNLESS OTHERWISE SPECIFIED

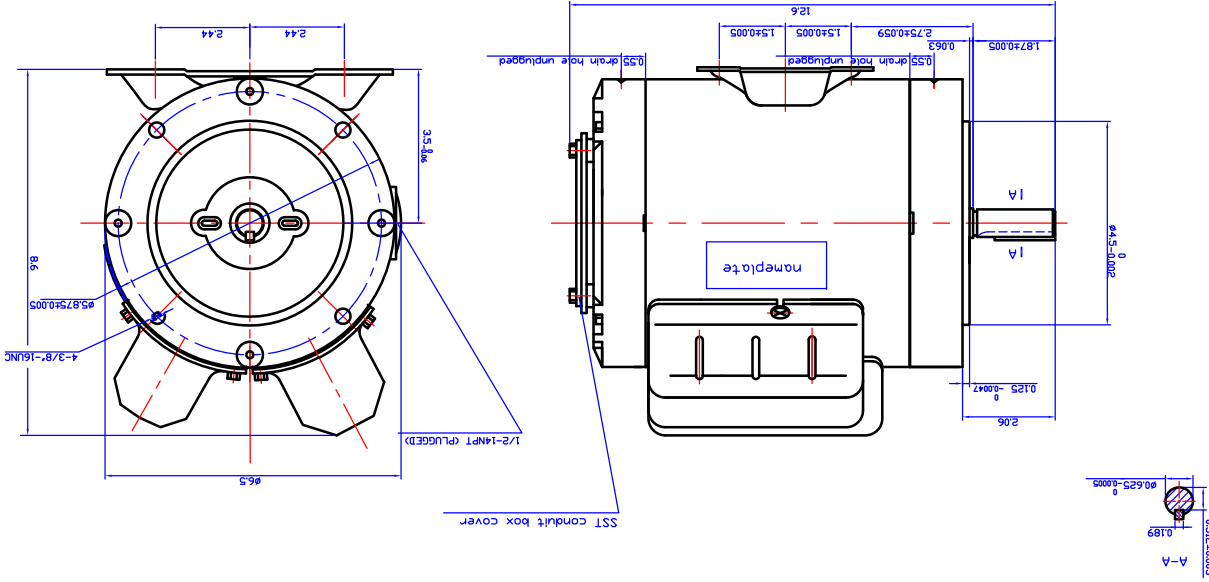
| NO. | REVISION | BY & DATE | CHK'D. | SCALE | REF. | DATE | F.H.F. |
|-----|----------|-----------|--------|-------|------|------|--------|
|     |          |           |        |       |      |      |        |
|     |          |           |        |       |      |      |        |
|     |          |           |        |       |      |      |        |

THIS DRAWING IN DESIGN AND DETAIL IS OUR PROPERTY AND MUST NOT BE USED EXCEPT IN CONNECTION WITH OUR WORK. ALL RIGHTS OF DESIGN AND INVENTION ARE RESERVED. THIS IS AN ELECTRONICALLY GENERATED DOCUMENT - DO NOT SCALE THIS PRINT.

|             |          |                            |
|-------------|----------|----------------------------|
| DRAWN       | TITLE    | 6439191253 outline drawing |
| APPR.       | CUSTOMER |                            |
| R.F.P.      |          |                            |
| DATE        |          |                            |
| REV.        |          |                            |
| DRAWING NO. |          |                            |

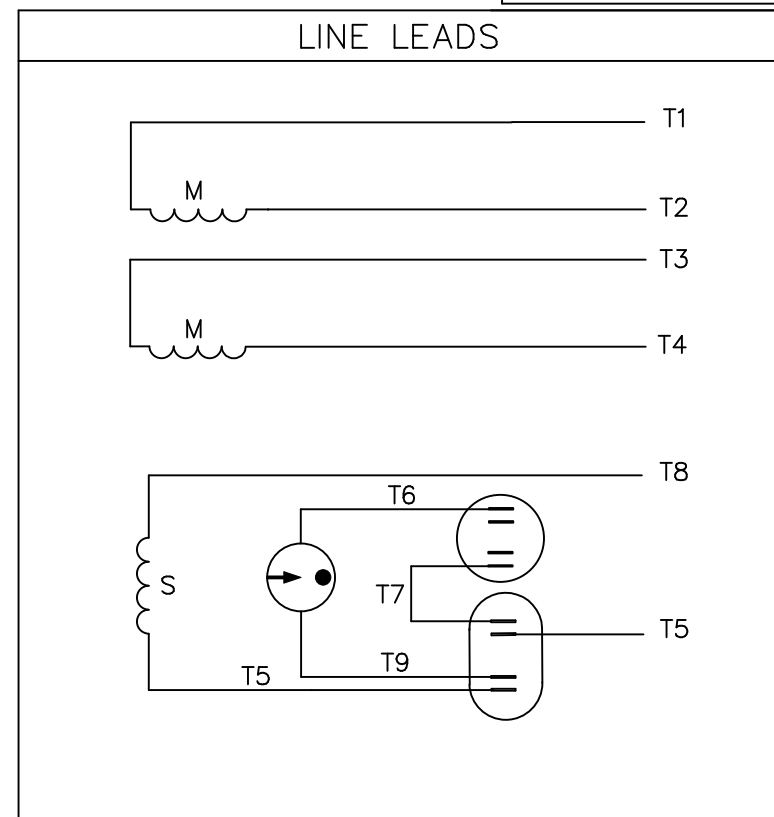
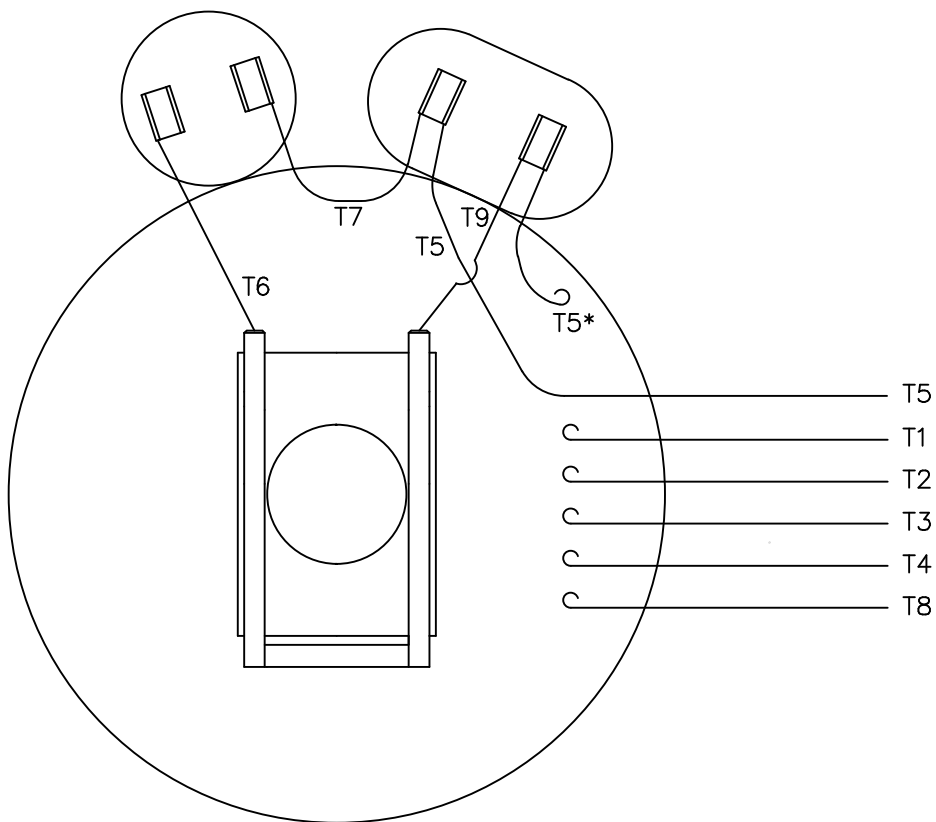
|                  |          |     |         |      |    |   |      |      |        |     |
|------------------|----------|-----|---------|------|----|---|------|------|--------|-----|
| Electra Cat. No. | FRAME HP | 1.5 | 115/230 | 1725 | 60 | 1 | TENV | 1.15 | 15min. | N/A |
| 6439191253       | S6C      | 1.5 | 115/230 | 1725 | 60 | 1 | TENV | 1.15 | 15min. | N/A |
|                  |          |     |         |      |    |   |      |      |        |     |
|                  |          |     |         |      |    |   |      |      |        |     |

|              |               |        |
|--------------|---------------|--------|
| ELECTRA-GEAR |               | 104649 |
| REV. 1       | DATE 10/13/13 |        |
| REV. 2       | DATE 10/13/13 |        |
| REV. 3       | DATE 10/13/13 |        |
| REV. 4       | DATE 10/13/13 |        |
| REV. 5       | DATE 10/13/13 |        |
| REV. 6       | DATE 10/13/13 |        |
| REV. 7       | DATE 10/13/13 |        |
| REV. 8       | DATE 10/13/13 |        |
| REV. 9       | DATE 10/13/13 |        |
| REV. 10      | DATE 10/13/13 |        |
| REV. 11      | DATE 10/13/13 |        |
| REV. 12      | DATE 10/13/13 |        |
| REV. 13      | DATE 10/13/13 |        |
| REV. 14      | DATE 10/13/13 |        |
| REV. 15      | DATE 10/13/13 |        |
| REV. 16      | DATE 10/13/13 |        |
| REV. 17      | DATE 10/13/13 |        |
| REV. 18      | DATE 10/13/13 |        |
| REV. 19      | DATE 10/13/13 |        |
| REV. 20      | DATE 10/13/13 |        |



- Note:
1. The capacitor leads to be connected using flag terminals.
  2. All the hardware are using SST.
  3. Drain hole at 6:00.
  4. C flange mounting holes have plugs.

VIEW FROM OUTSIDE OF MOTOR AT SWITCH END.



|              | ROTATION<br>FACING<br>LEAD END | L1          | L2          | JOIN        |
|--------------|--------------------------------|-------------|-------------|-------------|
| HIGH<br>VOLT | C.C.W.                         | T1          | T4<br>T5    | T2,T3<br>T8 |
|              | C.W.                           | T1          | T4<br>T8    | T2,T3<br>T5 |
| LOW<br>VOLT  | C.C.W.                         | T1<br>T3,T8 | T2,T4<br>T5 |             |
|              | C.W.                           | T1,T3<br>T5 | T2,T4<br>T8 |             |

\* THIS LEAD MAY BE WHITE

|  |                                   | TOLERANCES<br>UNLESS SPECIFIED |          | LEESON ELECTRIC MOTORS<br>GEARMOTORS<br>AND DRIVES |              | DRAWN JRW 09/27/74                            |              |             |      |
|--|-----------------------------------|--------------------------------|----------|--|--------------|---|--------------|-------------|------|
|  |                                   | DEC.                           | INCHES   |  |              | CHK   | TEM          |             |      |
|  |                                   | .X                             | ±.1      |  |              | APPD  | 10/11/74     |             |      |
| 11   | ALTERNATE T5 LEAD MARKING WAS RED | RLW                            | 8/6/02   | .XX  | ±.01         | TITLE   | SCALE 1=1    |             |      |
| 10   | ADDED ALTERNATE T5 LEAD MARKING   | RLW                            | 6/5/02   | KH   | .XXX ±.005   | EXT. WIRING DIAGRAM<br>TYPE "K" W/O PROTECTOR | REF A-005053 |             |      |
| 09   | REDRAWN TO CAD                    | DBT                            | 05/28/97 |  | .XXXX ±.0005 | MAT'L. DECAL-004012                           | FMF W-K6343  |             |      |
| NO.  | REVISION                          | BY & DATE                      | CHK      | ANG  | ±1/2"        | FINISH  | PREV         |             |      |
| THIS DRAWING IN DESIGN AND DETAIL IS OUR PROPERTY AND MUST NOT BE USED EXCEPT IN CONNECTION WITH OUR WORK ALL RIGHTS OF DESIGN AND INVENTION ARE RESERVED THIS IS AN ELECTRONICALLY GENERATED DOCUMENT - DO NOT SCALE THIS PRINT |                                   |                                |          | RFP  | CAD FILE     | 00505401                                      | SIZE         | DRAWING NO. | REV. |
|  |                                   |                                |          | DIST   | BRF-NLV      |   | A            | 005054-01   | 11   |



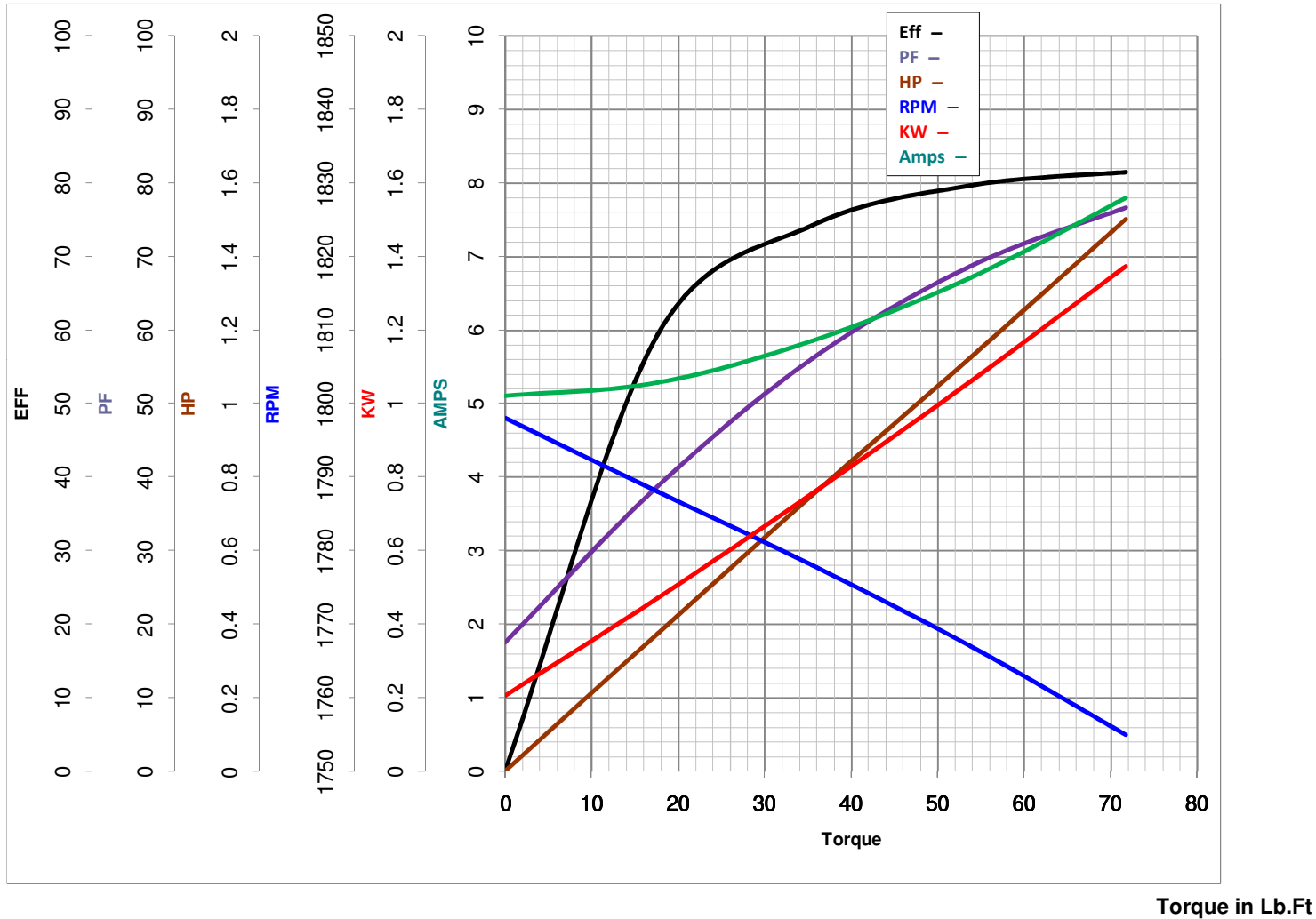
**LEESON ELECTRIC CORPORATION**  
 TYPICAL PERFORMANCE CURVE for AC MOTOR

Model No 6439191253

Curve at 230 Volts HP 1.50 PHASE 1  
60 HZ  
1.5 HP VOLTS 115/230

Catalog No 6439191253

HZ 60 RPM 1725



FL TORQUE 4.488 Lb.Ft  
 BD TORQUE 14.0 Lb.Ft  
 LR TORQUE 13.94 Lb.Ft

FL AMPS 15.2/7.6  
 PU TORQUE 11.4 Lb.Ft  
 LR AMPS 60.8

WINDING QK63411-3

Date 4/10/2018