

PRODUCT INFORMATION PACKET



Model No: 192260.00
Catalog No: 192260.00
1.50 HP General Purpose, 1 phase, 3600 RPM, 115/230 V, 80 Frame, TEFC
Aluminium TEFC Motors



Regal and Leeson are trademarks of Regal Beloit Corporation or one of its affiliated companies.
©2019 Regal Beloit Corporation, All Rights Reserved. MC017097E

REGAL



Nameplate Specifications

Output HP	1.50 Hp	Output KW	1.1 kW
Frequency	60 Hz	Voltage	115/230 V
Current	12.8/6.4 A	Speed	3450 rpm
Service Factor	1.15	Phase	1
Efficiency	77 %	Power Factor	98
Duty	Continuous	Insulation Class	F
Design Code	N	KVA Code	F
Frame	D80	Enclosure	Totally Enclosed Fan Cooled
Thermal Protection	Manual	Ambient Temperature	40 °C
Drive End Bearing Size	6204	Opp Drive End Bearing Size	6203
UL	Recognized	CSA	Y
CE	Y	IP Code	55

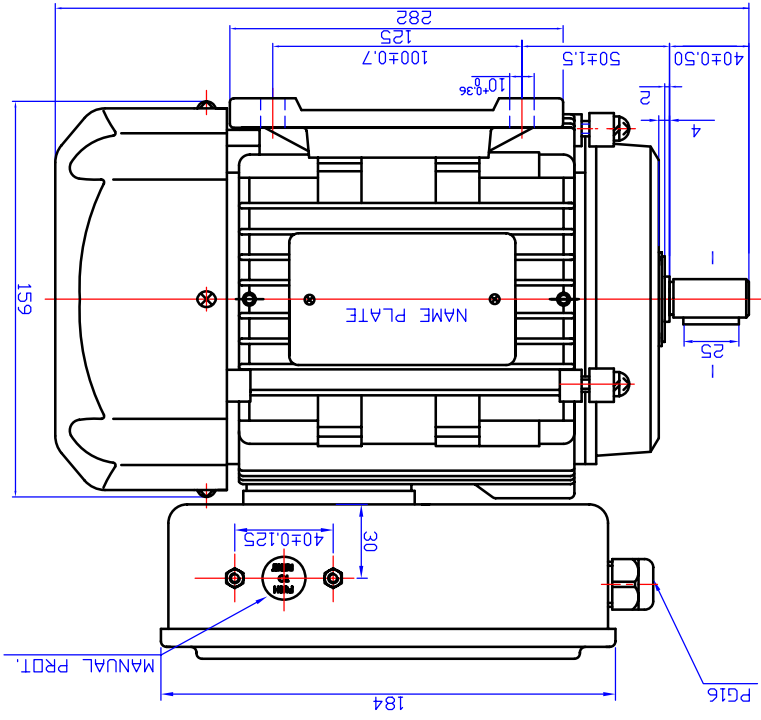
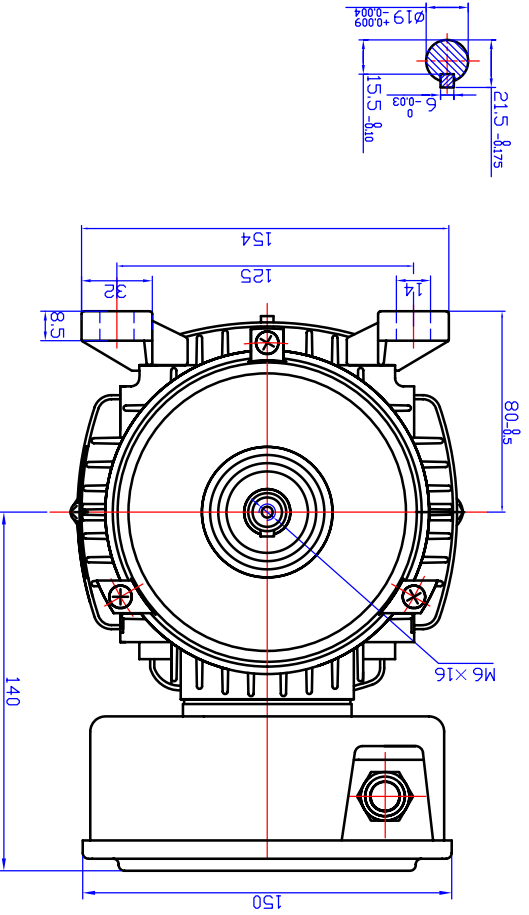
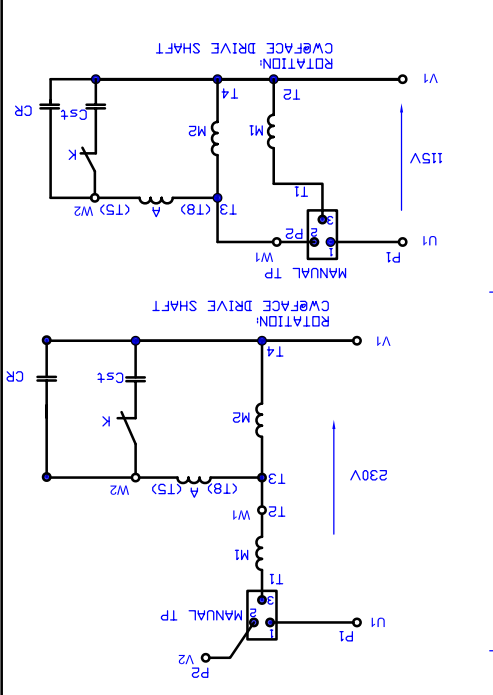
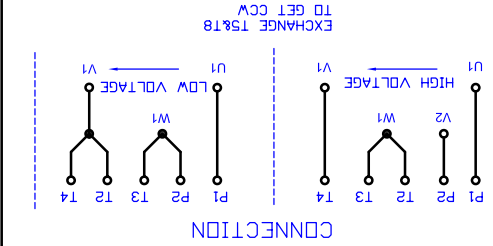
Technical Specifications

Electrical Type	Capacitor Start Capacitor Run	Starting Method	Across The Line
Poles	2	Rotation	Selective Clockwise
Resistance Main	2.418 Ohms	Mounting	B3
Motor Orientation	Horizontal	Drive End Bearing	Ball
Opp Drive End Bearing	Ball	Frame Material	Aluminum
Shaft Type	IEC	Overall Length	11.10 in
Shaft Diameter	0.750 in	Shaft Extension	1.57 in
Assembly/Box Mounting	F3		

This is an uncontrolled document once printed or downloaded and is subject to change without notice. Date Created:01/11/2019

SHEET		SCALE
DWG NO 039084		SIZE A3
OUTLINE DRAWING(B3)		
DESCRIPTION		
REGAL BELLOTT CORPORATION		

FIRST ANGLE PROJECTION		EDS DATE 2017.07.28	VERSION A
APPD: YCHH		DR BY:	
-ALL RIGHTS RESERVED.			
CONFIDENTIAL: THIS DRAWING AND ITS INFORMATION ARE THE EXCLUSIVE AND CONFIDENTIAL PROPERTY OF REGAL BELLOTT CORPORATION AND ARE NOT TO BE DISCLOSED, DUPLICATED, DISTRIBUTED OR OTHERWISE USED WITHOUT THE WRITTEN CONSENT OF REGAL BELLOTT CORPORATION			



REV	ECO	REV BY	DATE	APPD	DATE