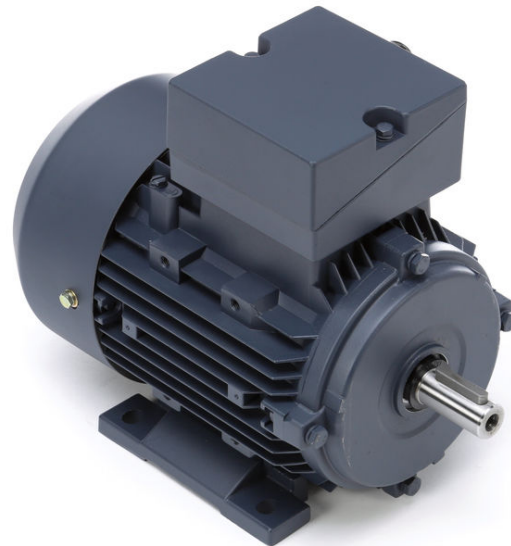


# PRODUCT INFORMATION PACKET



Model No: 192241.00  
Catalog No: 192241.00  
1 HP General Purpose, 3 phase, 1800 RPM, 230/460 V, 80 Frame, TEFC  
Aluminium TEFC Motors



Regal and Leeson are trademarks of Regal Beloit Corporation or one of its affiliated companies.  
©2019 Regal Beloit Corporation, All Rights Reserved. MC017097E

The Regal logo is the word "REGAL" in a bold, sans-serif font, set within a grey, trapezoidal shape that tapers to the right. The logo is positioned on a dark blue background with a halftone dot pattern that transitions from light blue at the top to black at the bottom.

REGAL



**Nameplate Specifications**

Output HP	<b>1 Hp</b>	Output KW	<b>0.75 kW</b>
Frequency	<b>60 Hz</b>	Voltage	<b>230/460 V</b>
Current	<b>3.0/1.5 A</b>	Speed	<b>1740 rpm</b>
Service Factor	<b>1.15</b>	Phase	<b>3</b>
Efficiency	<b>85.5 %</b>	Power Factor	<b>72</b>
Duty	<b>Continuous</b>	Insulation Class	<b>F</b>
Design Code	<b>No Design Code</b>	KVA Code	<b>J</b>
Frame	<b>80</b>	Enclosure	<b>Totally Enclosed Fan Cooled</b>
Thermal Protection	<b>No</b>	Ambient Temperature	<b>40 °C</b>
Drive End Bearing Size	<b>6204</b>	Opp Drive End Bearing Size	<b>6204</b>
UL	<b>Recognized</b>	CSA	<b>Y</b>
CE	<b>Y</b>	IP Code	<b>55</b>

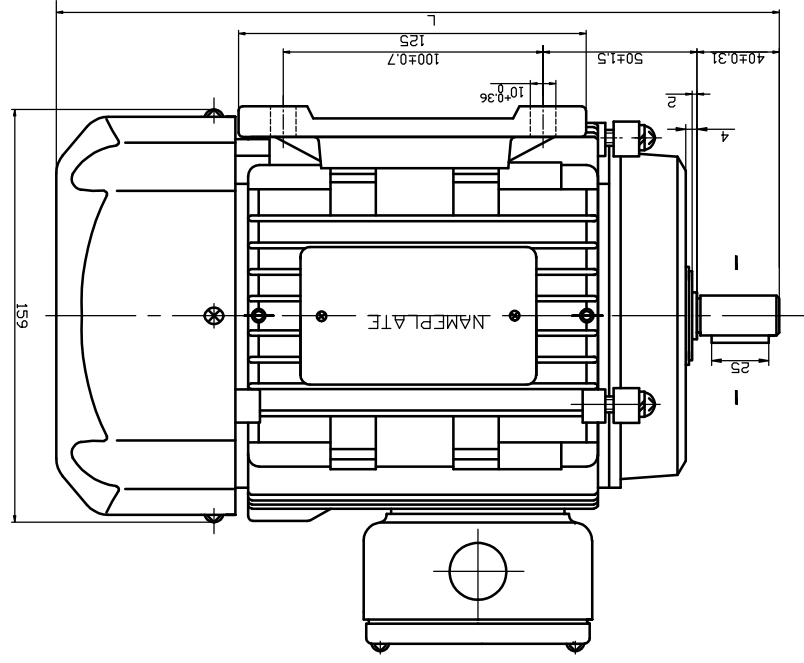
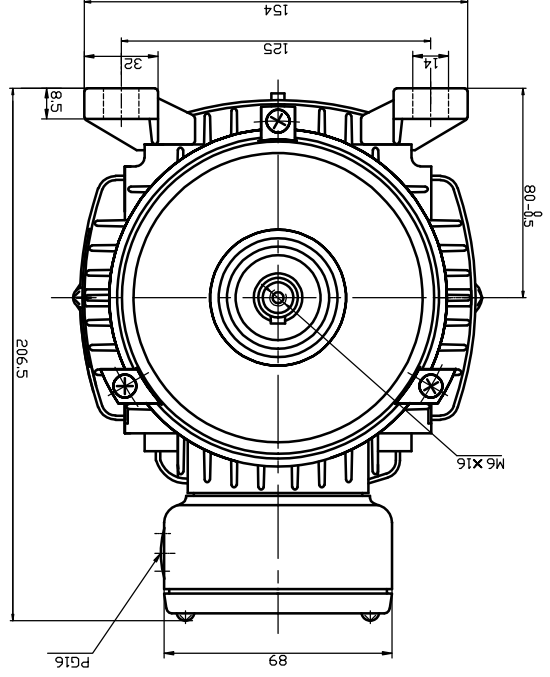
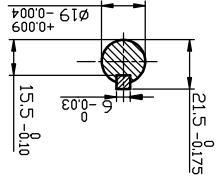
**Technical Specifications**

Electrical Type	<b>Squirrel Cage Induction Run</b>	Starting Method	<b>Across The Line</b>
Poles	<b>4</b>	Rotation	<b>Reversible</b>
Resistance Main	<b>0 Ohms</b>	Mounting	<b>Rigid base</b>
Motor Orientation	<b>Horizontal</b>	Drive End Bearing	<b>Ball</b>
Opp Drive End Bearing	<b>Ball</b>	Frame Material	<b>Aluminum</b>
Shaft Type	<b>IEC</b>	Overall Length	<b>11.89 in</b>
Frame Length	<b>13.01 in</b>	Shaft Diameter	<b>0.750 in</b>
Shaft Extension	<b>1.57 in</b>	Assembly/Box Mounting	<b>F3</b>

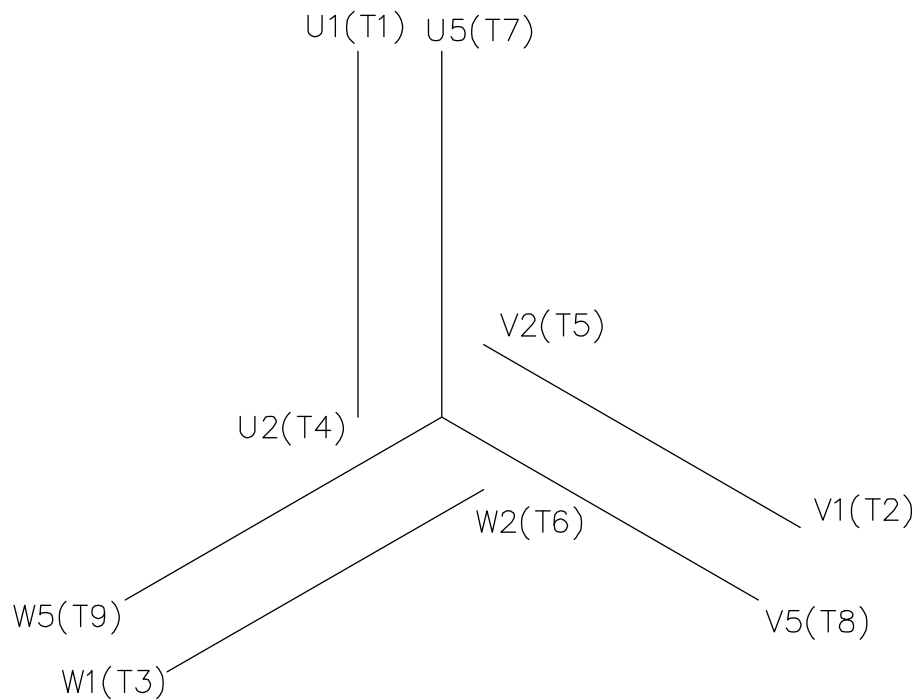
This is an uncontrolled document once printed or downloaded and is subject to change without notice. Date Created:01/11/2019

REV.		DRAWING NO. 039071	
FINISH		SMC	
MTRL.		OUTLINE	
APPR.		DRAWN VX 16/12/01	
R.F.P.		±.25	
SCALE		±.127	
REF.		±.005	
FHF.		±.0127	
TOLERANCES UNLESS OTHERWISE SPECIFIED		DEC. INCHES METRIC	
X		±.1	
XX		±.03	
XXX		±.005	
CHG'D		CHG'D	
BY & DATE		BY & DATE	
REVISION		REVISION	
THIS DRAWING IN DESIGN AND DETAIL IS OUR PROPERTY AND MUST NOT BE USED EXCEPT IN CONNECTION WITH OUR WORK ALL RIGHTS OF DESIGN AND INVENTION ARE RESERVED			
THIS IS AN ELECTRONICALLY GENERATED DOCUMENT - DO NOT SCALE THIS PRINT			

CAT LOG.	L
R312A	282
R412A	302
R313A	302
R413A	302
192241.00	302
192250.00	302

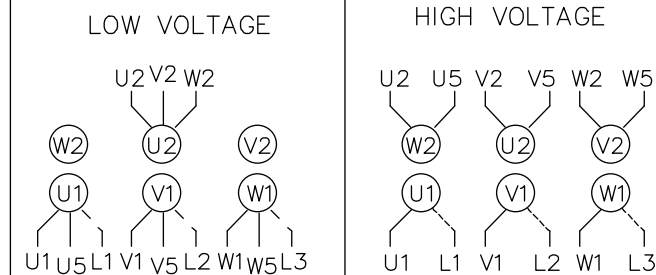


Uncontrolled Copy



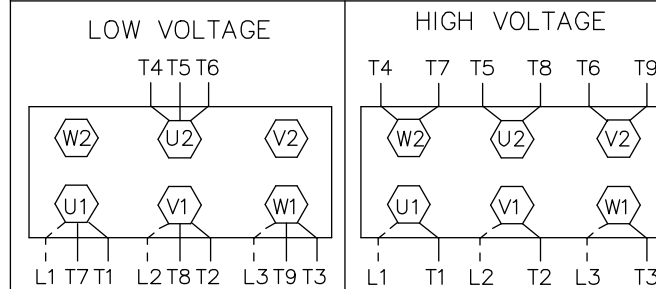
REF. DECAL (IEC) 080644  
REF. DECAL (NEMA) 080446

IEC MARKINGS




LINE VOLTAGE	L1	L2	L3	JOIN		
TERMINAL	U1	V1	W1	W2	U2	V2
LOW	U1,U5	V1,V5	W1,W5	---	U2,V2,W2	---
HIGH	U1	V1	W1	U2,U5	V2,V5	W2,W5

NEMA MARKINGS



LINE VOLTAGE	L1	L2	L3	JOIN		
TERMINAL	U1	V1	W1	W2	U2	V2
LOW	T1, T7	T2, T8	T3, T9	---	T4,T5,T6	---
HIGH	T1	T2	T3	T4, T7	T5, T8	T6, T9

		TOLERANCES UNLESS SPECIFIED		 ELECTRIC MOTORS GEARMOTORS AND DRIVES	DRAWN			
		DEC.	INCHES		MGM 12/3/02			
		.X	±.1		TITLE EXTERNAL WIRING DIAGRAM 3 PHASE - DUAL VOLTAGE - W/TERM BLOCK	CHK		
		.XX	±.01			APPD		
		.XXX	±.005			SCALE 1=1		
		.XXXX	±.0005	REF 00537703				
01	NEMA LV CONNECTION WAS INCORRECT	RLW	8/4/03	MAT'L.	IEC/NEMA MARKINGS	FMF		
NO.	REVISION	BY & DATE	CHK	ANG	±1/2'	PREV		
THIS DRAWING IN DESIGN AND DETAIL IS OUR PROPERTY AND MUST NOT BE USED EXCEPT IN CONNECTION WITH OUR WORK ALL RIGHTS OF DESIGN AND INVENTION ARE RESERVED THIS IS AN ELECTRONICALLY GENERATED DOCUMENT - DO NOT SCALE THIS PRINT			RFP	CAD FILE	00546501	SIZE	DRAWING NO.	REV.
			DIST			A	005465-01	01