

PRODUCT INFORMATION PACKET



Model No: C90T17FZ16A

Catalog No: 192205.00

2HP-1.5KW..1710RPM.90L.IP55.230/460V.3PH.60HZ.CONT.40C.1.15SF.B3.....IEC METRIC.....
TEFC



Regal and Leeson are trademarks of Regal Beloit Corporation or one of its affiliated companies.

©2018 Regal Beloit Corporation, All Rights Reserved. MC017097E





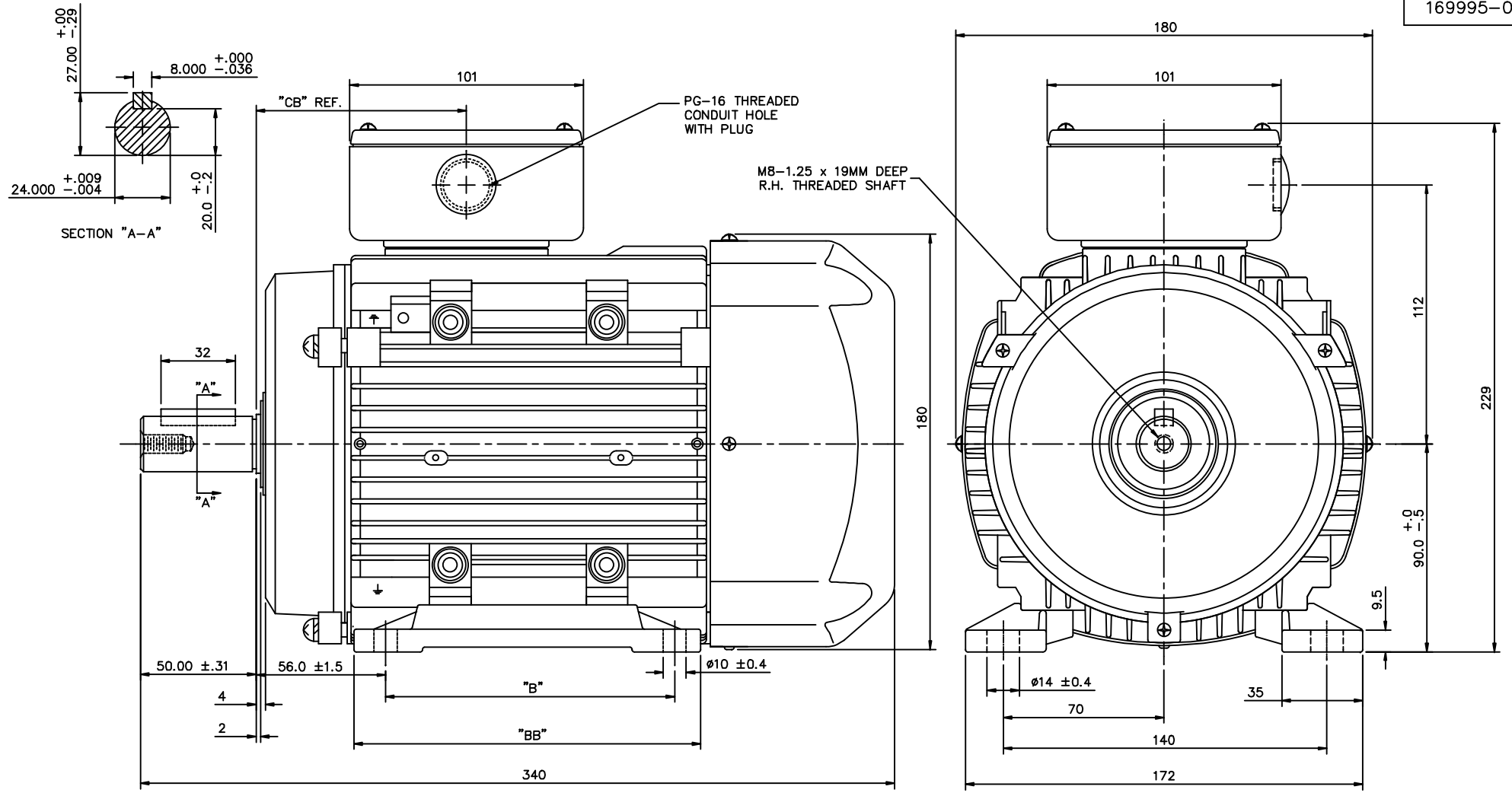
Nameplate Specifications

Output HP	2 Hp	Output KW	1.5 kW
Frequency	60 Hz	Voltage	230/460 V
Current	5.4/2.7 A	Speed	1745 rpm
Service Factor	1.15	Phase	3
Efficiency	86.5 %	Duty	Continuous
Insulation Class	F	Design Code	B
KVA Code	J	Frame	D90L
Enclosure	Totally Enclosed Fan Cooled	Overload Protector	No
Ambient Temperature	40 °C	Drive End Bearing Size	6205
Opp Drive End Bearing Size	6205	UL	Recognized
CSA	Y	CE	Y
IP Code	55		

Technical Specifications

Electrical Type	Squirrel Cage Induction Run	Starting Method	Line Or Inverter
Poles	4	Rotation	Reversible
Mounting	B3	Motor Orientation	HORIZONTAL
Drive End Bearing	BALL	Opp Drive End Bearing	BALL
Frame Material	Aluminum	Shaft Type	IEC
Overall Length	13.38 in	Frame Length	7.08 in
Shaft Diameter	1.000 in	Shaft Extension	1.96 in
Assembly/Box Mounting	F3		
Outline Drawing	16999500	Connection Diagram	005465.01

This is an uncontrolled document once printed or downloaded and is subject to change without notice. Date Created: 10/15/2018



FRAME DESIGN	"B"	"BB"	"CB"
90L	125±0.7	150	91
90S	100±0.7	125	79

		TOLERANCES UNLESS SPECIFIED		REGAL-BELOIT CORPORATION		DRAWN LST 12/28/11	
		DEC.	METRIC			CHK	
		.X	±2.5	TITLE METRIC OUTLINE, IMB3 IEC-90 FRAME		APPD	
		.XX	±.76			SCALE 1=1.6	
		.XXX	±.127			REF 169862-00	
		.XXXX	±.0127	MAT'L ALUMINUM		FMF LEESON STOCK	
NO.	REVISION	BY & DATE	CHK	ANG	FINISH	PREV	
THIS DRAWING IN DESIGN AND DETAIL IS OUR PROPERTY AND MUST NOT BE USED EXCEPT IN CONNECTION WITH OUR WORK ALL RIGHTS OF DESIGN AND INVENTION ARE RESERVED THIS IS AN ELECTRONICALLY GENERATED DOCUMENT - DO NOT SCALE THIS PRINT				RFP	CAD FILE	16999500	SIZE B
				DIST	DRAWING NO. 169995-00		REV.



REF. DECAL (IEC) 080644
REF. DECAL (NEMA) 080446

IEC MARKINGS




LINE VOLTAGE	L1	L2	L3	JOIN		
TERMINAL	U1	V1	W1	W2	U2	V2
LOW	U1,U5	V1,V5	W1,W5	---	U2,V2,W2	---
HIGH	U1	V1	W1	U2,U5	V2,V5	W2,W5

NEMA MARKINGS



LINE VOLTAGE	L1	L2	L3	JOIN		
TERMINAL	U1	V1	W1	W2	U2	V2
LOW	T1, T7	T2, T8	T3, T9	---	T4,T5,T6	---
HIGH	T1	T2	T3	T4, T7	T5, T8	T6, T9

		TOLERANCES UNLESS SPECIFIED		 ELECTRIC MOTORS GEARMOTORS AND DRIVES			DRAWN			
		DEC.	INCHES				MGM 12/3/02			
		.X	±.1	TITLE EXTERNAL WIRING DIAGRAM 3 PHASE - DUAL VOLTAGE - W/TERM BLOCK			CHK			
		.XX	±.01				APPD			
		.XXX	±.005				SCALE 1=1			
		.XXXX	±.0005				REF 00537703			
01	NEMA LV CONNECTION WAS INCORRECT	RLW	8/4/03	ANG	±1/2'	MAT'L.	IEC/NEMA MARKINGS		FMF	
NO.	REVISION	BY & DATE	CHK	ANG	±1/2'	FINISH	THERMAL TRANSFER		PREV	
THIS DRAWING IN DESIGN AND DETAIL IS OUR PROPERTY AND MUST NOT BE USED EXCEPT IN CONNECTION WITH OUR WORK ALL RIGHTS OF DESIGN AND INVENTION ARE RESERVED THIS IS AN ELECTRONICALLY GENERATED DOCUMENT - DO NOT SCALE THIS PRINT				RFP		CAD FILE	00546501	SIZE	DRAWING NO.	REV.
				DIST				A	005465-01	01



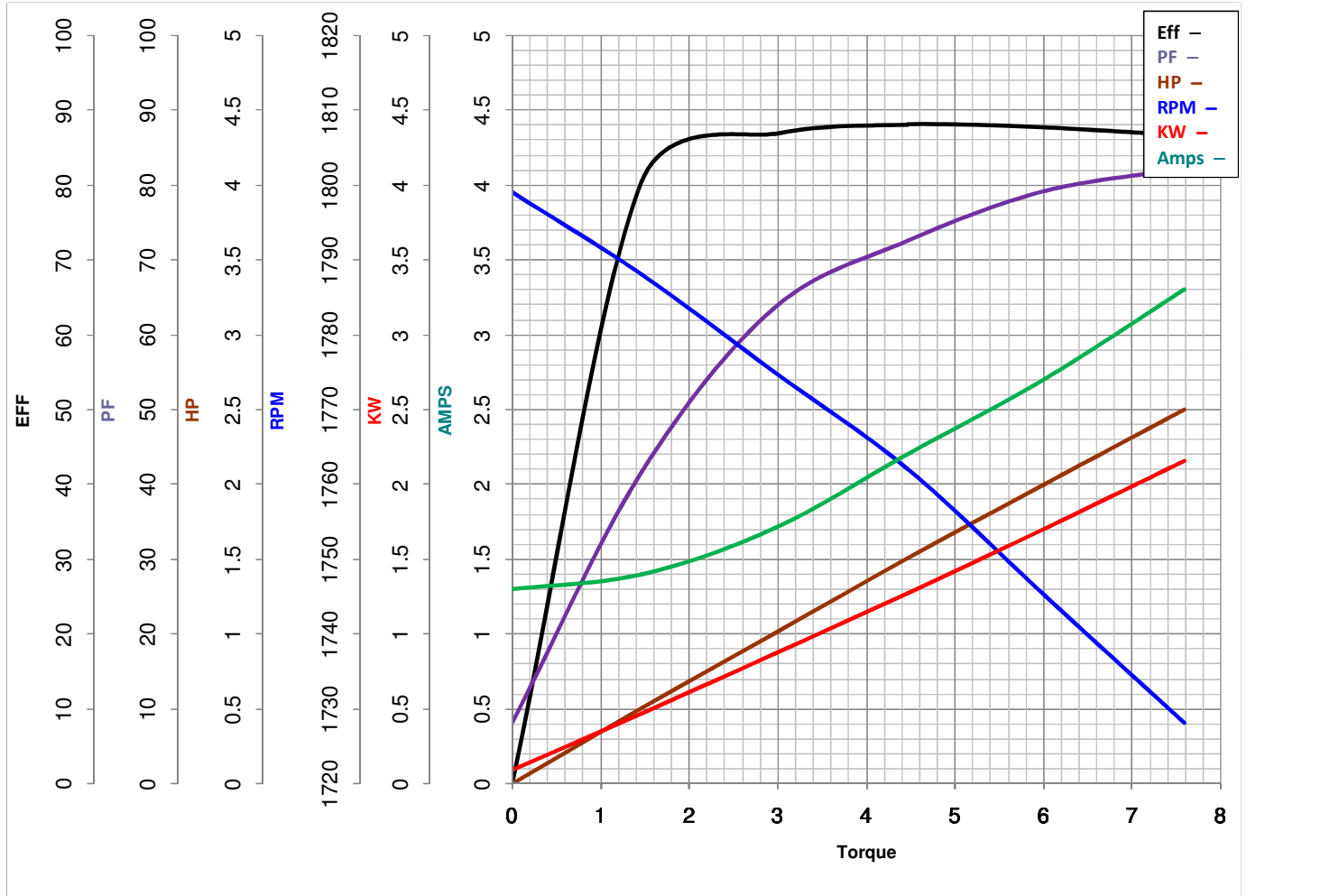
LEESON ELECTRIC CORPORATION
TYPICAL PERFORMANCE CURVE for AC MOTOR

Model No 192205.00

Catalog No 192205.00

Curve at 460 Volts HP 2&2 PHASE 3
60 HZ
2 HP VOLTS 230/460&200/400

HZ 60&50 RPM 1745&1435



Torque in Lb.Ft

FL TORQUE 6.018 Lb.Ft
BD TORQUE 18.1 Lb.Ft
LR TORQUE 14.39 Lb.Ft

FL AMPS 5.4/2.7
PU TORQUE 11.3 Lb.Ft
LR AMPS 18.7

WINDING QT9047-3

Date 5/21/2018