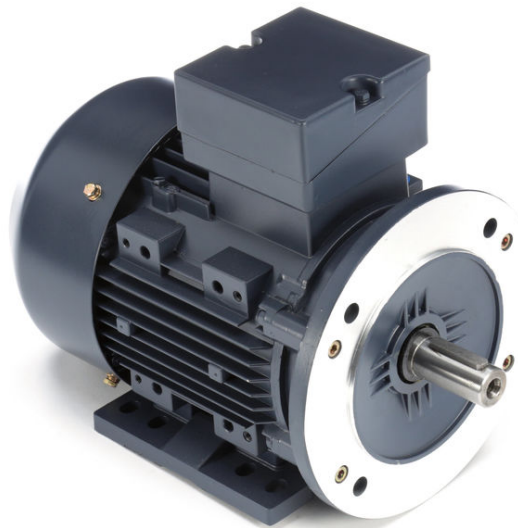


# PRODUCT INFORMATION PACKET



Model No: 192203.00  
Catalog No: 192203.00  
TEFC

1 1/2HP-1.1KW..1740RPM.90S.IP55.230/460V.3PH.60HZ.CONT.40C.1.15SF.B3/B5.....IEC METRIC.....



Regal and Leeson are trademarks of Regal Beloit Corporation or one of its affiliated companies.  
©2019 Regal Beloit Corporation, All Rights Reserved. MC017097E





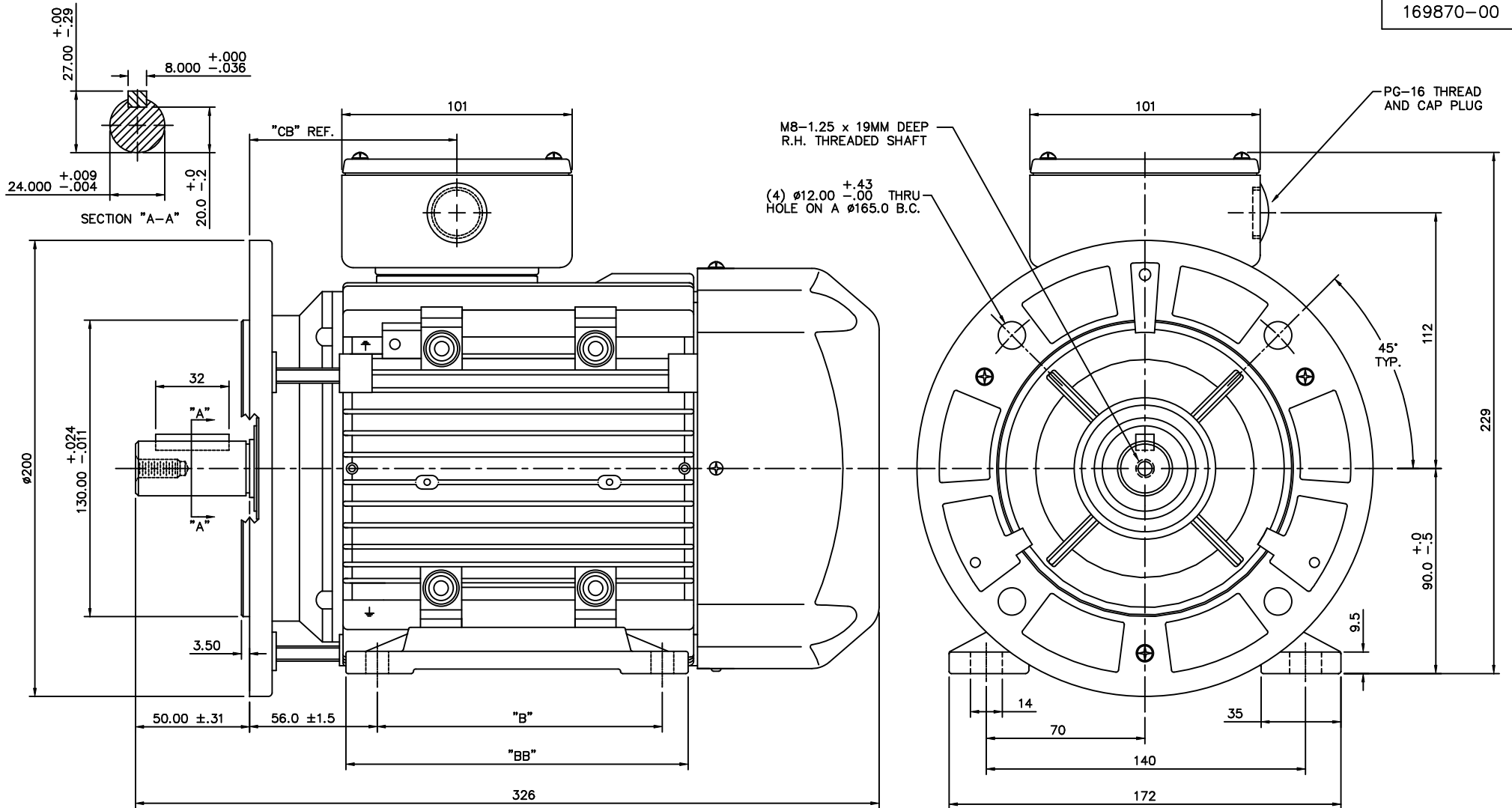
### Nameplate Specifications

Output HP	1.50 Hp	Output KW	1.1 kW
Frequency	60 Hz	Voltage	230/460 V
Current	4.2/2.1 A	Speed	1745 rpm
Service Factor	1.15	Phase	3
Efficiency	86.5 %	Duty	Continuous
Insulation Class	F	Design Code	B
KVA Code	J	Frame	D90S
Enclosure	Totally Enclosed Fan Cooled	Overload Protector	No
Ambient Temperature	40 °C	Drive End Bearing Size	6205
Opp Drive End Bearing Size	6205	UL	Recognized
CSA	Y	CE	Y
IP Code	55		

### Technical Specifications

Electrical Type	Squirrel Cage Induction Run	Starting Method	Across The Line
Poles	4	Rotation	Reversible
Mounting	Rigid Base	Motor Orientation	Horizontal
Drive End Bearing	Ball	Opp Drive End Bearing	Ball
Frame Material	Aluminum	Shaft Type	IEC
Overall Length	12.83 in	Frame Length	6.33 in
Shaft Diameter	1.000 in	Shaft Extension	1.96 in
Assembly/Box Mounting	F3		
Outline Drawing	16987000	Connection Diagram	005465.01

This is an uncontrolled document once printed or downloaded and is subject to change without notice. Date Created: 02/13/2019



FRAME DESIGN	"B"	"BB"	"CB"
90L	125 $\pm$ 0.7	150	91
90S	100 $\pm$ 0.7	125	79
XXX	XXX	XXX	XXX

		TOLERANCES UNLESS SPECIFIED		LEESON	ELECTRIC MOTORS GEARMOTORS AND DRIVES	DRAWN ADS 02/01/02	
		DEC.	METRIC				CHK
		.X	$\pm 2.5$			APPD	
		.XX	$\pm .76$	TITLE	METRIC OUTLINE, IMB35	SCALE 1=1.6	
		.XXX	$\pm .127$		IEC-90 FRAME RIGID W/B5 FLANGE	REF OSVC-300-567	
		.XXXX	$\pm .0127$	MAT'L	ALUMINUM	FMF LEESON STOCK	
NO.	REVISION	BY & DATE	CHK	ANG	FINISH	PREV	
			RFP		CAD FILE 16987000	SIZE B	
THIS DRAWING IN DESIGN AND DETAIL IS OUR PROPERTY AND MUST NOT BE USED EXCEPT IN CONNECTION WITH OUR WORK ALL RIGHTS OF DESIGN AND INVENTION ARE RESERVED THIS IS AN ELECTRONICALLY GENERATED DOCUMENT - DO NOT SCALE THIS PRINT						DRAWING NO.	169870-00
						REV.	



REF. DECAL (IEC) 080644  
REF. DECAL (NEMA) 080446

IEC MARKINGS




LINE VOLTAGE	L1	L2	L3	JOIN		
TERMINAL	U1	V1	W1	W2	U2	V2
LOW	U1,U5	V1,V5	W1,W5	---	U2,V2,W2	---
HIGH	U1	V1	W1	U2,U5	V2,V5	W2,W5

NEMA MARKINGS



LINE VOLTAGE	L1	L2	L3	JOIN		
TERMINAL	U1	V1	W1	W2	U2	V2
LOW	T1, T7	T2, T8	T3, T9	---	T4,T5,T6	---
HIGH	T1	T2	T3	T4, T7	T5, T8	T6, T9

		TOLERANCES UNLESS SPECIFIED		 ELECTRIC MOTORS GEARMOTORS AND DRIVES	DRAWN		
		DEC.	INCHES		MGM 12/3/02		
		.X	±.1		CHK		
		.XX	±.01		APPD		
		.XXX	±.005		SCALE 1=1		
01	NEMA LV CONNECTION WAS INCORRECT	RLW	8/4/03	.XXXX	±.0005	TITLE EXTERNAL WIRING DIAGRAM 3 PHASE - DUAL VOLTAGE - W/TERM BLOCK	REF 00537703
NO.	REVISION	BY & DATE	CHK	ANG	±1/2'	MAT'L. IEC/NEMA MARKINGS	FMF
			RFP	CAD FILE 00546501		FINISH THERMAL TRANSFER	PREV
THIS DRAWING IN DESIGN AND DETAIL IS OUR PROPERTY AND MUST NOT BE USED EXCEPT IN CONNECTION WITH OUR WORK ALL RIGHTS OF DESIGN AND INVENTION ARE RESERVED THIS IS AN ELECTRONICALLY GENERATED DOCUMENT - DO NOT SCALE THIS PRINT			DIST		SIZE A	DRAWING NO. 005465-01	REV. 01



CERTIFICATION DATA SHEET

1051 CHEYENNE AVE.  
 GRAFTON, WI 53024  
 PH. 262-377-8810

CONN. DIAGRAM: 005465.01

CATALOG #: 192203.00

OUTLINE: 16987000

MOUNTING: F3

WINDING #: QT9046 FR 3 A

TYPICAL MOTOR PERFORMANCE DATA

HP	KW	SYNC. RPM	F.L. RPM	FRAME	ENCLOSURE	KVA CODE	DESIGN
1 1/2	1.12	1800	1745	D90S	TEFC	J	B

PH	Hz	VOLTS	AMPS	START TYPE	DUTY	INSL	S.F.	AMB°C		
3	60/50	230/460	200/400	4.2/2.1	184.8/2.4	ACROSS THE LINE	CONTINUOUS	F5	1.15/1.15	40

FULL LOAD EFF:	86.5	3/4 LOAD EFF:	89.7	1/2 LOAD EFF:	88.3	GTD. EFF	ELEC. TYPE
FULL LOAD PF:	74.9	3/4 LOAD PF:	69.4	1/2 LOAD PF:	56.8	0	SQ CAGE IND RUN

F.L. TORQUE	LOCKED ROTOR AMPS	L.R. TORQUE	B.D. TORQUE	F.L. RISE°C		
4.507 LB-FT	28.6 / 14.3	9.86 LB-FT	219 %	13.51 LB-FT	300 %	21

SOUND PRESSURE @ 3 FT.	SOUND POWER	ROTOR WK^2	MAX. WK^2	SAFE STALL TIME	STARTS / HOUR	APPROX. MOTOR WGT
0 DBA	10 DBA	0 LB-FT^2	0 LB-FT^2	10 SEC.	2	0 LBS.

\*\*\* SUPPLEMENTAL INFORMATION \*\*\*

DE BRACKET TYPE	ODE BRACKET TYPE	MOUNT TYPE	ORIENTATION	SEVERE DUTY	HAZARDOUS LOCATION	DRIP COVER	SCREENS	PAINT
FF-FLANGE-165	STANDARD	RIGID	HORIZONTAL	FALSE	NONE	FALSE	NONE	BLUE - LEESON (ENAMEL)

BEARINGS	GREASE	SHAFT TYPE	SPECIAL DE	SPECIAL ODE	SHAFT MATERIAL	FRAME MATERIAL
DE ODE BALL BALL	POLYREX EM	STANDARD IEC	NONE	NONE	1045 HOT ROLLED (C-204)	ALUMINIUM

THERMO-PROTECTORS				THERMISTORS	CONTROL	SPACE HEATERS
TERMOSTATS	PROTECTORS	WDG RTDS	BRG RTDS	NONE	FALSE	NONE
NONE	NOT	NONE	NONE	NONE <td>FALSE <td>NONE </td></td>	FALSE <td>NONE </td>	NONE

\*

INVERTER TORQUE: NONE  
 INV. HP SPEED RANGE: NONE

ENCODER:	NONE
NONE	NONE
NONE	PPR

BRAKE:	NONE	NONE
NONE	P/N	NONE
NONE	NONE	NONE
NONE	FT-LB	NONE
NONE	V	NONE
NONE	Hz	Hz

S



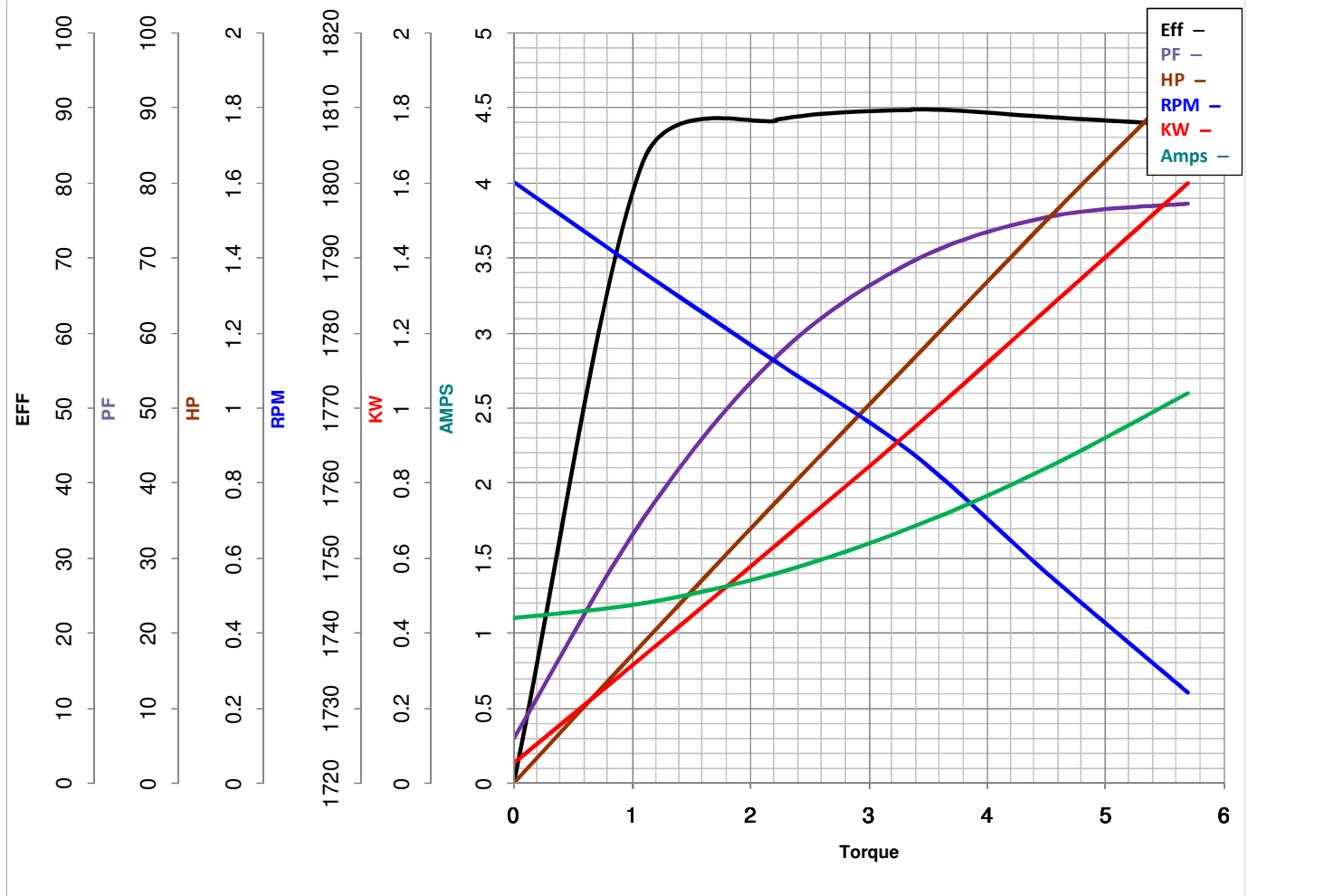
**LEESON ELECTRIC CORPORATION**  
 TYPICAL PERFORMANCE CURVE for AC MOTOR

Model No 192203.00

Catalog No 192203.00

Curve at 460 Volts      HP 1.5&1.5      PHASE 3  
60 HZ  
1.5 HP      VOLTS 230/460&200/400

HZ 60&50      RPM 1745&1445



Torque in Lb.Ft

FL TORQUE 4.507 Lb.Ft  
 BD TORQUE 13.5 Lb.Ft  
 LR TORQUE 9.86 Lb.Ft

FL AMPS 4.2/2.1  
 PU TORQUE 9.4 Lb.Ft  
 LR AMPS 14.3

WINDING QT9046-3

Date 5/23/2018