

# PRODUCT INFORMATION PACKET



Model No: C71T34FZ10C

Catalog No: 192115.00

.75HP..55KW.3400RPM.71.IP55./575V.3PH.60HZ.CONT.NOT.40C.1.15SF.B3.IEC METRIC.C71T34FZ10C  
TEFC



Regal and Leeson are trademarks of Regal Beloit Corporation or one of its affiliated companies.

©2018 Regal Beloit Corporation, All Rights Reserved. MC017097E





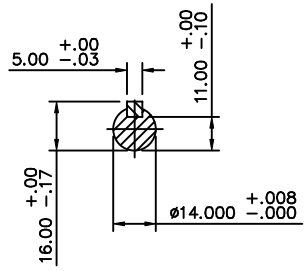
### Nameplate Specifications

Output HP	<b>0.75 Hp</b>	Output KW	<b>0.56 kW</b>
Frequency	<b>60 Hz</b>	Voltage	<b>575 V</b>
Current	<b>0.91 A</b>	Speed	<b>3400 rpm</b>
Service Factor	<b>1.15</b>	Phase	<b>3</b>
Efficiency	<b>74 %</b>	Duty	<b>Continuous</b>
Insulation Class	<b>F</b>	Design Code	<b>B</b>
KVA Code	<b>J</b>	Frame	<b>D71</b>
Enclosure	<b>Totally Enclosed Fan Cooled</b>	Overload Protector	<b>No</b>
Ambient Temperature	<b>40 °C</b>	Drive End Bearing Size	<b>6203</b>
Opp Drive End Bearing Size	<b>6203</b>	UL	<b>Recognized</b>
CSA	<b>Y</b>	CE	<b>Y</b>
IP Code	<b>55</b>		

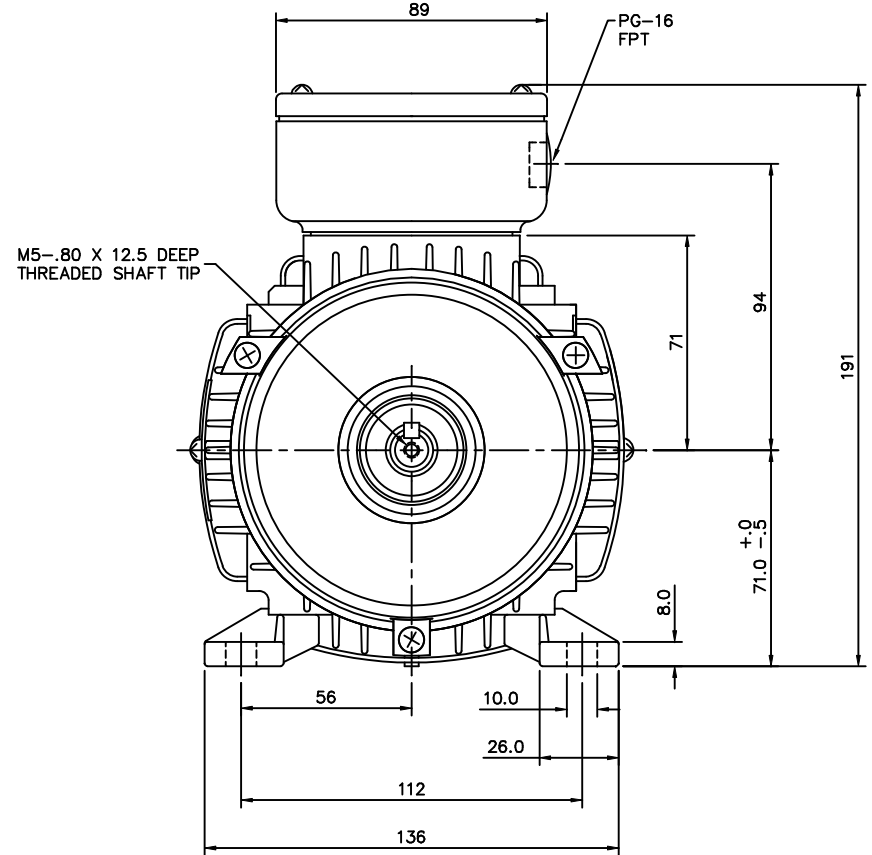
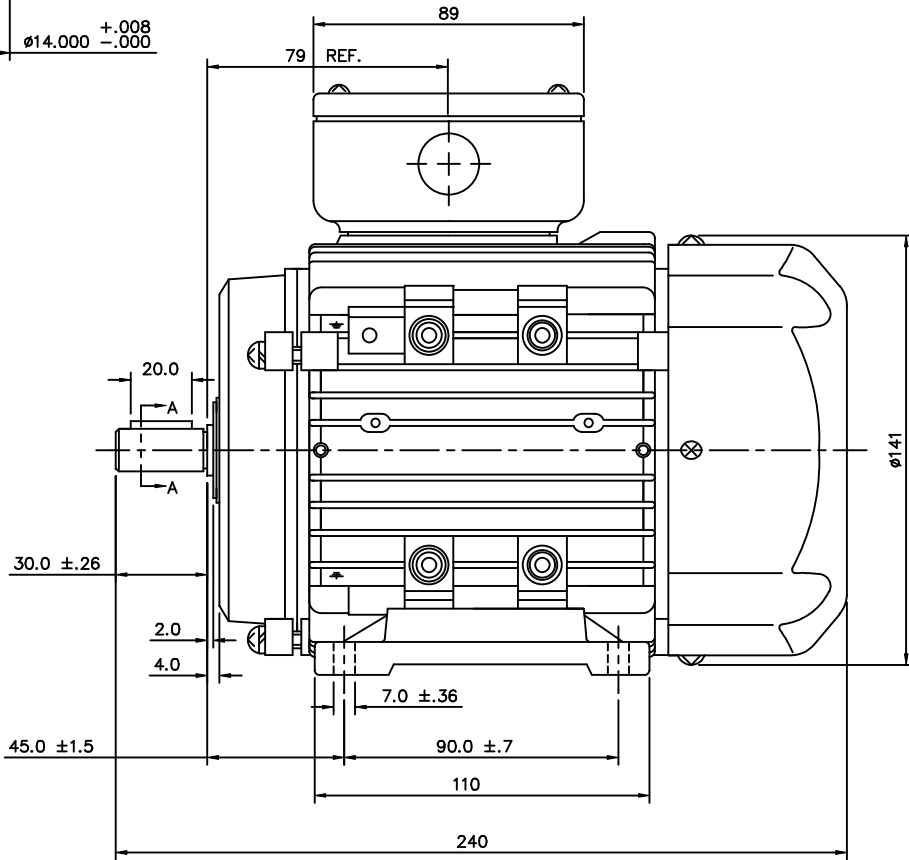
### Technical Specifications

Electrical Type	<b>Squirrel Cage Inverter Rated</b>	Starting Method	<b>Line Or Inverter</b>
Poles	<b>2</b>	Rotation	<b>Reversible</b>
Mounting	<b>B3</b>	Motor Orientation	<b>HORIZONTAL</b>
Drive End Bearing	<b>BALL</b>	Opp Drive End Bearing	<b>BALL</b>
Frame Material	<b>Aluminum</b>	Shaft Type	<b>IEC</b>
Overall Length	<b>9.44 in</b>	Frame Length	<b>4.68 in</b>
Shaft Diameter	<b>0.562 in</b>	Shaft Extension	<b>1.18 in</b>
Assembly/Box Mounting	<b>F3</b>		
Outline Drawing	<b>16986000</b>	Connection Diagram	<b>005468.01</b>

**This is an uncontrolled document once printed or downloaded and is subject to change without notice. Date Created: 10/15/2018**

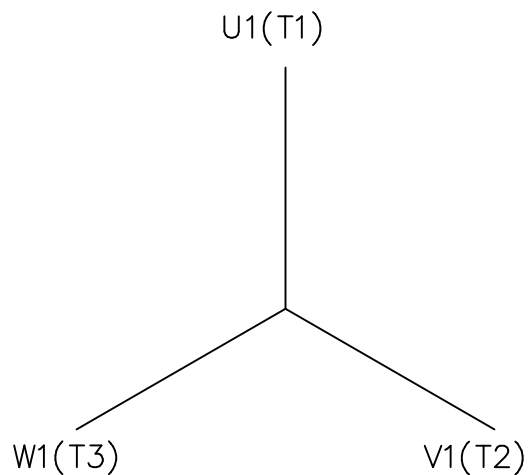


SECTION "A-A"

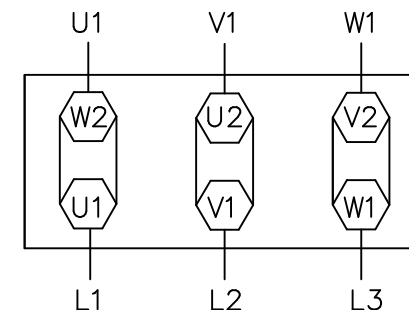


		TOLERANCES UNLESS SPECIFIED		<b>LEESON</b>	ELECTRIC MOTORS GEARMOTORS AND DRIVES	DRAWN	ADS		
		DEC.	METRIC			CHK	APPD		
		.X	±	TITLE	METRIC MOTOR OUTLINE, IMB3 IEC-71 FRAME RIGID	SCALE	1=1.6		
		.XXX	±	MAT'L	ALUMINUM	REF	OSVC-300-553		
		.XXXX	±	FINISH		FMF	LEESON STOCK		
NO.	REVISION	BY & DATE	CHK	ANG	±	FINISH	PREV		
THIS DRAWING IN DESIGN AND DETAIL IS OUR PROPERTY AND MUST NOT BE USED EXCEPT IN CONNECTION WITH OUR WORK ALL RIGHTS OF DESIGN AND INVENTION ARE RESERVED THIS IS AN ELECTRONICALLY GENERATED DOCUMENT - DO NOT SCALE THIS PRINT				RFP	CAD FILE	16986000	SIZE	DRAWING NO.	REV.
			DIST		B	169860-00			

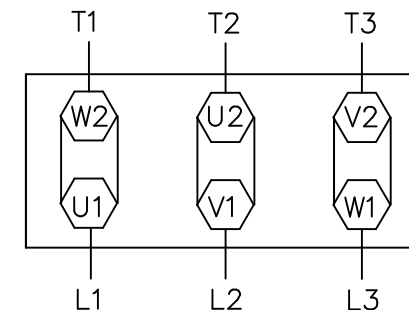
ERROR: undefined  
OFFENDING COMMAND: Pscript\_WinNT\_Co  
STACK :




IEC MARKINGS



NEMA MARKINGS



TO REVERSE ROTATION  
INTERCHANGE ANY TWO  
LINE LEADS

				TOLERANCES UNLESS SPECIFIED		 ELECTRIC MOTORS GEARMOTORS AND DRIVES	DRAWN MGM 12/10/02			
				DEC.	INCHES		CHK			
				.X	±.1		APPD			
				.XX	±.01		SCALE 3=4			
				.XXX	±.005		REF			
				.XXXX	±.0005	FMF				
NO.	REVISION	BY & DATE	CHK	ANG	±1/2"	FINISH	PREV			
THIS DRAWING IN DESIGN AND DETAIL IS OUR PROPERTY AND MUST NOT BE USED EXCEPT IN CONNECTION WITH OUR WORK ALL RIGHTS OF DESIGN AND INVENTION ARE RESERVED THIS IS AN ELECTRONICALLY GENERATED DOCUMENT - DO NOT SCALE THIS PRINT				RFP		CAD FILE	00546801	SIZE	DRAWING NO.	REV.
				DIST				A	005468-01	