

PRODUCT INFORMATION PACKET



Model No: C71T17FZ7C

Catalog No: 192098.00

.33HP..25KW.1700RPM.71.IP55./575V.3PH.60HZ.CONT.NOT.40C.1.15SF.B3.IEC METRIC.C71T17FZ7C
TEFC



Regal and Leeson are trademarks of Regal Beloit Corporation or one of its affiliated companies.

©2018 Regal Beloit Corporation, All Rights Reserved. MC017097E





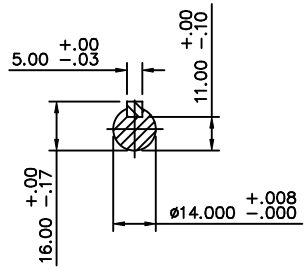
Nameplate Specifications

Output HP	0.33 Hp	Output KW	0.25 kW
Frequency	60 Hz	Voltage	575 V
Current	0.57 A	Speed	1700 rpm
Service Factor	1.15	Phase	3
Efficiency	68 %	Duty	Continuous
Insulation Class	F	Design Code	B
KVA Code	J	Frame	D71
Enclosure	Totally Enclosed Fan Cooled	Overload Protector	No
Ambient Temperature	40 °C	Drive End Bearing Size	6203
Opp Drive End Bearing Size	6203	UL	Recognized
CSA	Y	CE	Y
IP Code	55		

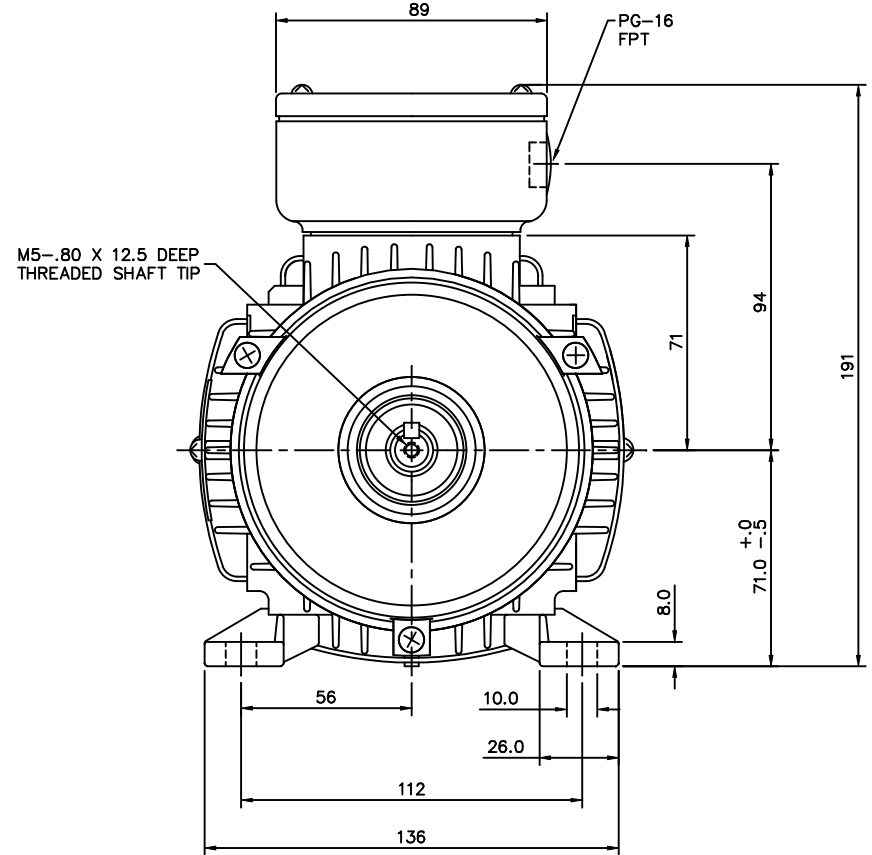
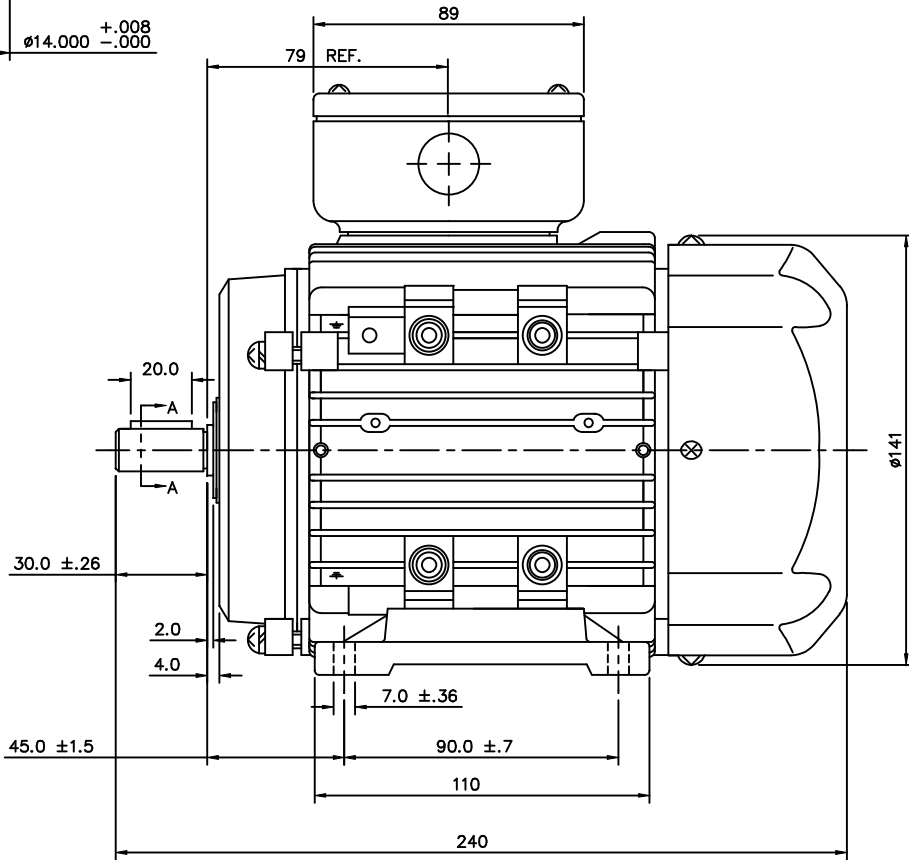
Technical Specifications

Electrical Type	Squirrel Cage Inverter Rated	Starting Method	Line Or Inverter
Poles	4	Rotation	Reversible
Mounting	B3	Motor Orientation	HORIZONTAL
Drive End Bearing	BALL	Opp Drive End Bearing	BALL
Frame Material	Aluminum	Shaft Type	IEC
Overall Length	9.44 in	Frame Length	4.68 in
Shaft Diameter	0.562 in	Shaft Extension	1.18 in
Assembly/Box Mounting	F3		
Outline Drawing	16986000	Connection Diagram	005468.01

This is an uncontrolled document once printed or downloaded and is subject to change without notice. Date Created: 10/15/2018

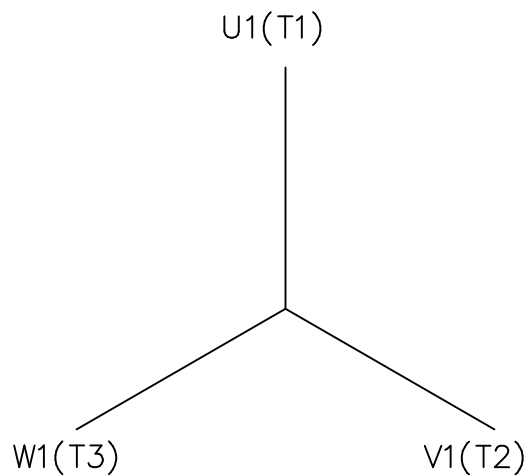


SECTION "A-A"

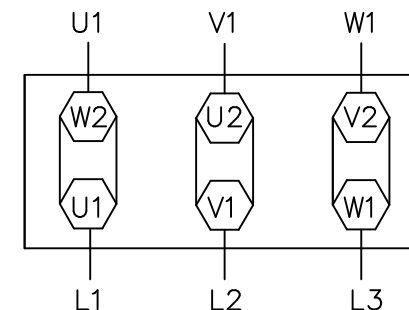


		TOLERANCES UNLESS SPECIFIED		LEESON	ELECTRIC MOTORS GEARMOTORS AND DRIVES	DRAWN	ADS		
		DEC.	METRIC			CHK	APPD		
		.X	±	TITLE METRIC MOTOR OUTLINE, IMB3 IEC-71 FRAME RIGID		SCALE	1=1.6		
		.XXX	±	MAT'L ALUMINUM		REF	OSVC-300-553		
		.XXXX	±	FINISH		FMF	LEESON STOCK		
NO.	REVISION	BY & DATE	CHK	ANG	±	PREV			
THIS DRAWING IN DESIGN AND DETAIL IS OUR PROPERTY AND MUST NOT BE USED EXCEPT IN CONNECTION WITH OUR WORK ALL RIGHTS OF DESIGN AND INVENTION ARE RESERVED THIS IS AN ELECTRONICALLY GENERATED DOCUMENT - DO NOT SCALE THIS PRINT				RFP	CAD FILE	16986000	SIZE	DRAWING NO.	REV.
				DIST			B	169860-00	

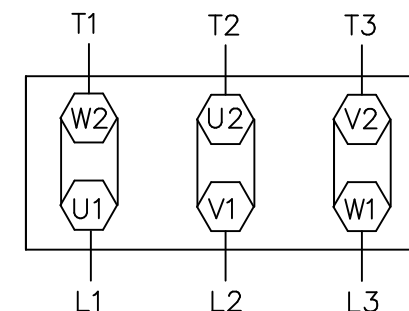
ERROR: undefined
OFFENDING COMMAND: Pscript_WinNT_Co
STACK :




IEC MARKINGS



NEMA MARKINGS



TO REVERSE ROTATION
INTERCHANGE ANY TWO
LINE LEADS

				TOLERANCES UNLESS SPECIFIED		 ELECTRIC MOTORS GEARMOTORS AND DRIVES	DRAWN MGM 12/10/02			
				DEC.	INCHES		CHK			
				.X	±.1		APPD			
				.XX	±.01		SCALE 3=4			
				.XXX	±.005		REF			
				.XXXX	±.0005	FMF				
NO.	REVISION	BY & DATE	CHK	ANG	±1/2"	FINISH	PREV			
THIS DRAWING IN DESIGN AND DETAIL IS OUR PROPERTY AND MUST NOT BE USED EXCEPT IN CONNECTION WITH OUR WORK ALL RIGHTS OF DESIGN AND INVENTION ARE RESERVED THIS IS AN ELECTRONICALLY GENERATED DOCUMENT - DO NOT SCALE THIS PRINT				RFP		CAD FILE	00546801	SIZE	DRAWING NO.	REV.
				DIST				A	005468-01	