

# PRODUCT INFORMATION PACKET



Model No: C63T34FZ10C

Catalog No: 192097.00

.33HP..25KW.3430RPM.63.IP55./575V.3PH.60HZ.CONT.NOT.40C.1.15SF.B3.IEC METRIC.C63T34FZ10C  
TEFC



Regal and Leeson are trademarks of Regal Beloit Corporation or one of its affiliated companies.

©2018 Regal Beloit Corporation, All Rights Reserved. MC017097E





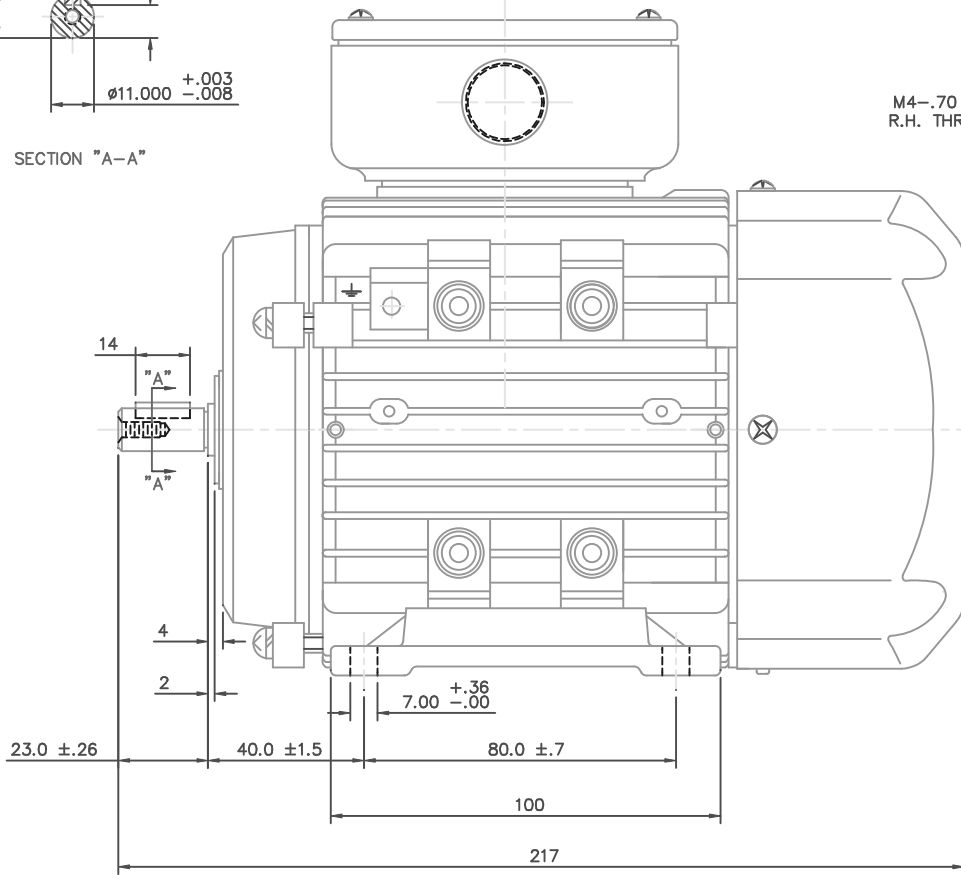
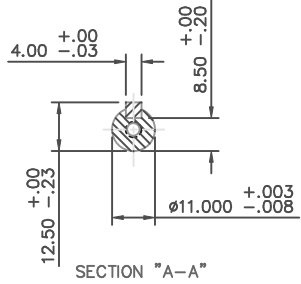
### Nameplate Specifications

Output HP	<b>0.33 Hp</b>	Output KW	<b>0.25 kW</b>
Frequency	<b>60 Hz</b>	Voltage	<b>575 V</b>
Current	<b>0.44 A</b>	Speed	<b>3430 rpm</b>
Service Factor	<b>1.15</b>	Phase	<b>3</b>
Efficiency	<b>72 %</b>	Duty	<b>Continuous</b>
Insulation Class	<b>F</b>	Design Code	<b>B</b>
KVA Code	<b>J</b>	Frame	<b>D63</b>
Enclosure	<b>Totally Enclosed Fan Cooled</b>	Overload Protector	<b>No</b>
Ambient Temperature	<b>40 °C</b>	Drive End Bearing Size	<b>6202</b>
Opp Drive End Bearing Size	<b>6202</b>	UL	<b>Recognized</b>
CSA	<b>Y</b>	CE	<b>Y</b>
IP Code	<b>55</b>		

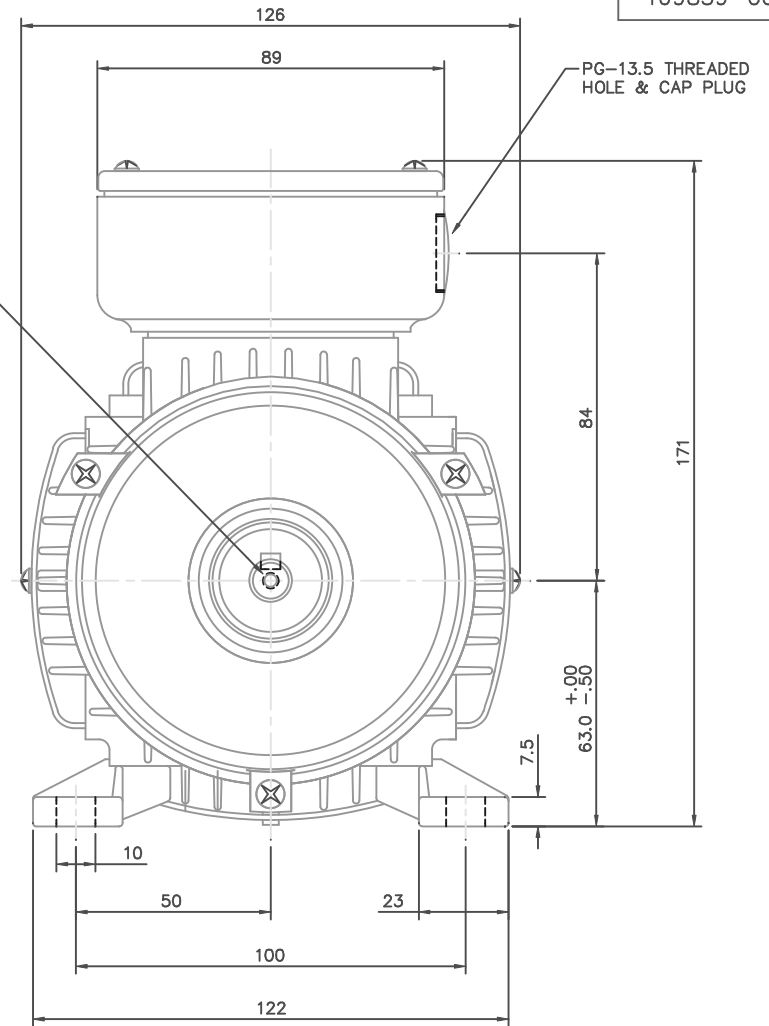
### Technical Specifications

Electrical Type	<b>Squirrel Cage Inverter Rated</b>	Starting Method	<b>Line Or Inverter</b>
Poles	<b>2</b>	Rotation	<b>Reversible</b>
Mounting	<b>B3</b>	Motor Orientation	<b>HORIZONTAL</b>
Drive End Bearing	<b>BALL</b>	Opp Drive End Bearing	<b>BALL</b>
Frame Material	<b>Aluminum</b>	Shaft Type	<b>IEC</b>
Overall Length	<b>8.54 in</b>	Frame Length	<b>4.44 in</b>
Shaft Diameter	<b>0.437 in</b>	Shaft Extension	<b>0.9 in</b>
Assembly/Box Mounting	<b>F3</b>		
Outline Drawing	<b>16985900</b>	Connection Diagram	<b>005468.01</b>

**This is an uncontrolled document once printed or downloaded and is subject to change without notice. Date Created: 10/15/2018**

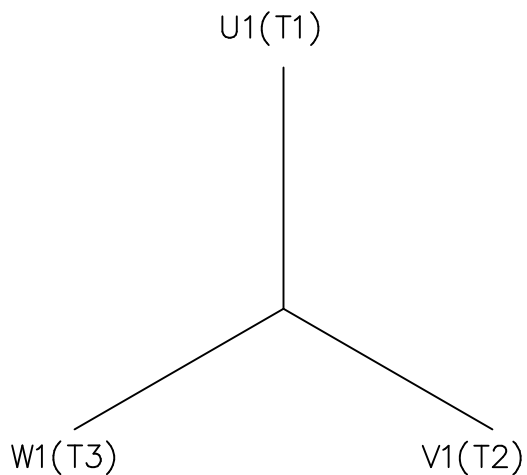


M4-.70 x 10MM DEEP  
R.H. THREADED SHAFT

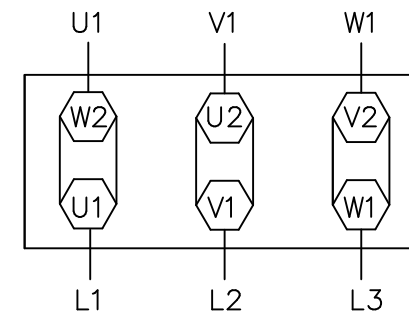


NO.		REVISION	BY & DATE	CHK	ANG	±1/2"	FINISH	PREV			
THIS DRAWING IN DESIGN AND DETAIL IS OUR PROPERTY AND MUST NOT BE USED EXCEPT IN CONNECTION WITH OUR WORK. ALL RIGHTS OF DESIGN AND INVENTION ARE RESERVED. THIS IS AN ELECTRONICALLY GENERATED DOCUMENT - DO NOT SCALE THIS PRINT				RFP			CAD FILE	16985900	SIZE	DRAWING NO.	REV.
				DIST					B	169859-00	

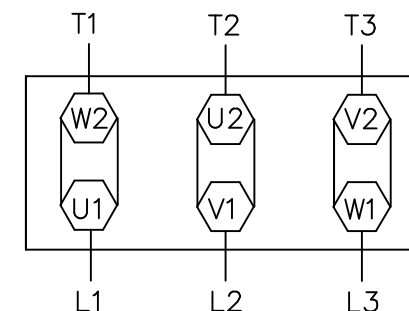
TOLERANCES UNLESS SPECIFIED		ELECTRIC MOTORS GEARMOTORS AND DRIVES	DRAWN	
DEC.	METRIC		CHK	
.X	±2.5		APPD	
.XX	±.76		SCALE	1=1.25
.XXX	±.127		REF	OSVC-300-554
.XXXX	±.0127	MAT'L	ALUMINUM	
		FINISH	PREV	




IEC MARKINGS



NEMA MARKINGS



TO REVERSE ROTATION  
INTERCHANGE ANY TWO  
LINE LEADS

				TOLERANCES UNLESS SPECIFIED		 ELECTRIC MOTORS GEARMOTORS AND DRIVES	DRAWN MGM 12/10/02			
				DEC.	INCHES		CHK			
				.X	±.1		APPD			
				.XX	±.01		SCALE 3=4			
				.XXX	±.005		REF			
				.XXXX	±.0005	FMF				
NO.	REVISION	BY & DATE	CHK	ANG	±1/2"	FINISH	PREV			
THIS DRAWING IN DESIGN AND DETAIL IS OUR PROPERTY AND MUST NOT BE USED EXCEPT IN CONNECTION WITH OUR WORK ALL RIGHTS OF DESIGN AND INVENTION ARE RESERVED THIS IS AN ELECTRONICALLY GENERATED DOCUMENT - DO NOT SCALE THIS PRINT				RFP		CAD FILE	00546801	SIZE	DRAWING NO.	REV.
				DIST				A	005468-01	

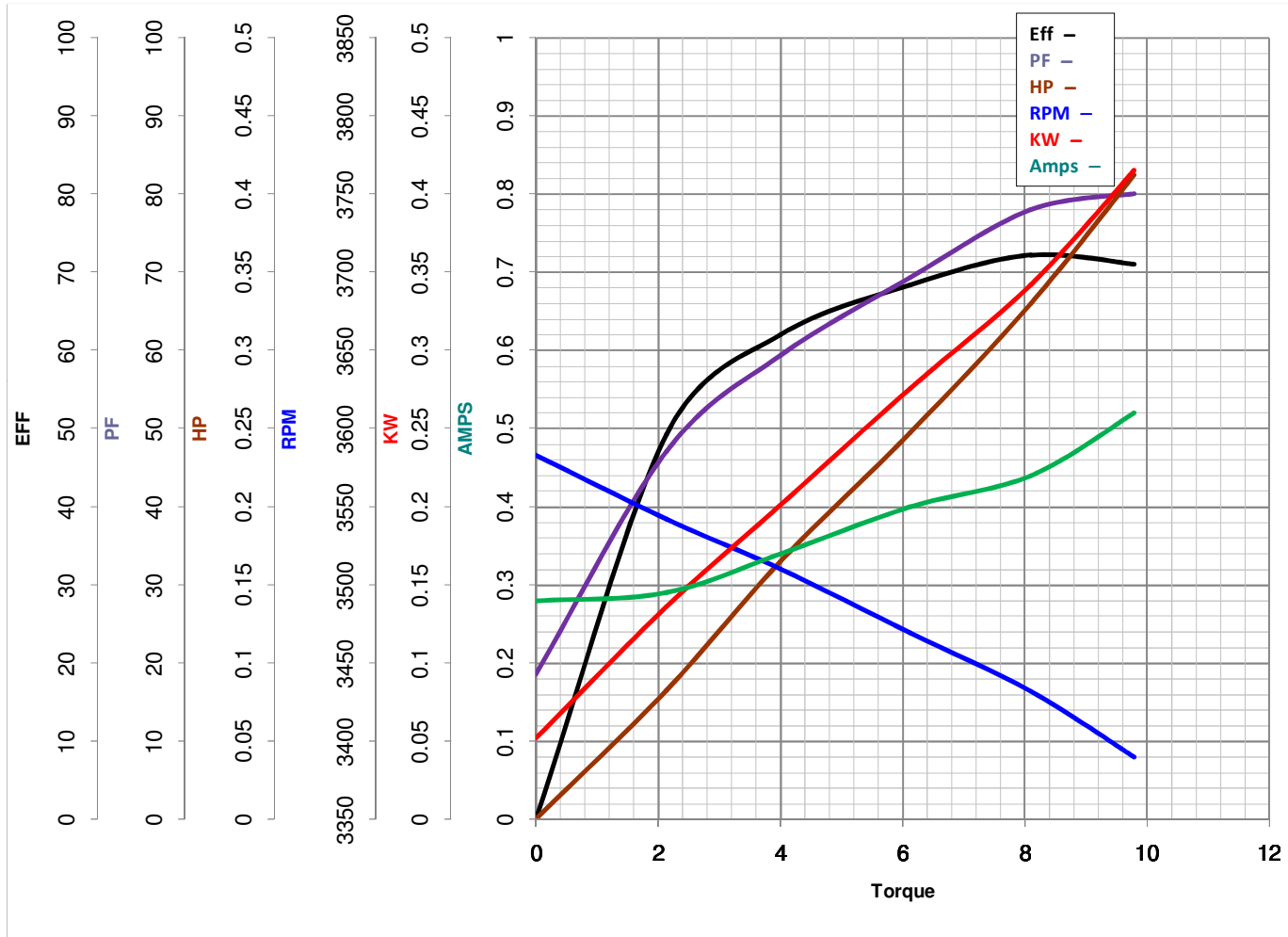


**LEESON ELECTRIC CORPORATION**  
TYPICAL PERFORMANCE CURVE for AC MOTOR

Model No 192097.00

Catalog No 192097.00

Curve at 575 Volts      HP 0.33      PHASE 3  
60 HZ  
0.33 HP      VOLTS 575  
HZ 60      RPM 3430



Torque in Oz.Ft

FL TORQUE 8.1 Oz.Ft  
 BD TORQUE 28.0 Oz.Ft  
 LR TORQUE 23.2 Oz.Ft

FL AMPS 0.44  
 PU TORQUE 22.8 Oz.Ft  
 LR AMPS 2.6

WINDING QT6322-4

Date 6/5/2018