

PRODUCT INFORMATION PACKET



Model No: C63T17FZ4C

Catalog No: 192089.00

.25HP..18KW.1700RPM.63.IP55./575V.3PH.60HZ.CONT.NOT.40C.1.15SF.B3/B14.IEC
METRIC.C63T17FZ4C
TEFC



Regal and Leeson are trademarks of Regal Beloit Corporation or one of its affiliated companies.

©2018 Regal Beloit Corporation, All Rights Reserved. MC017097E





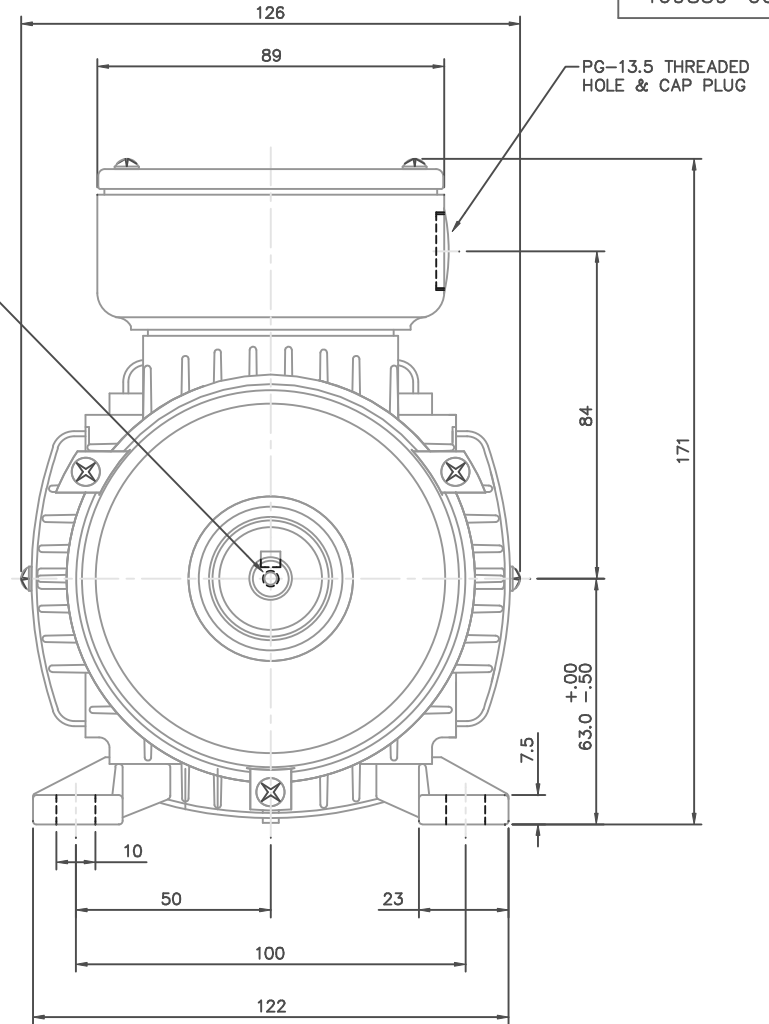
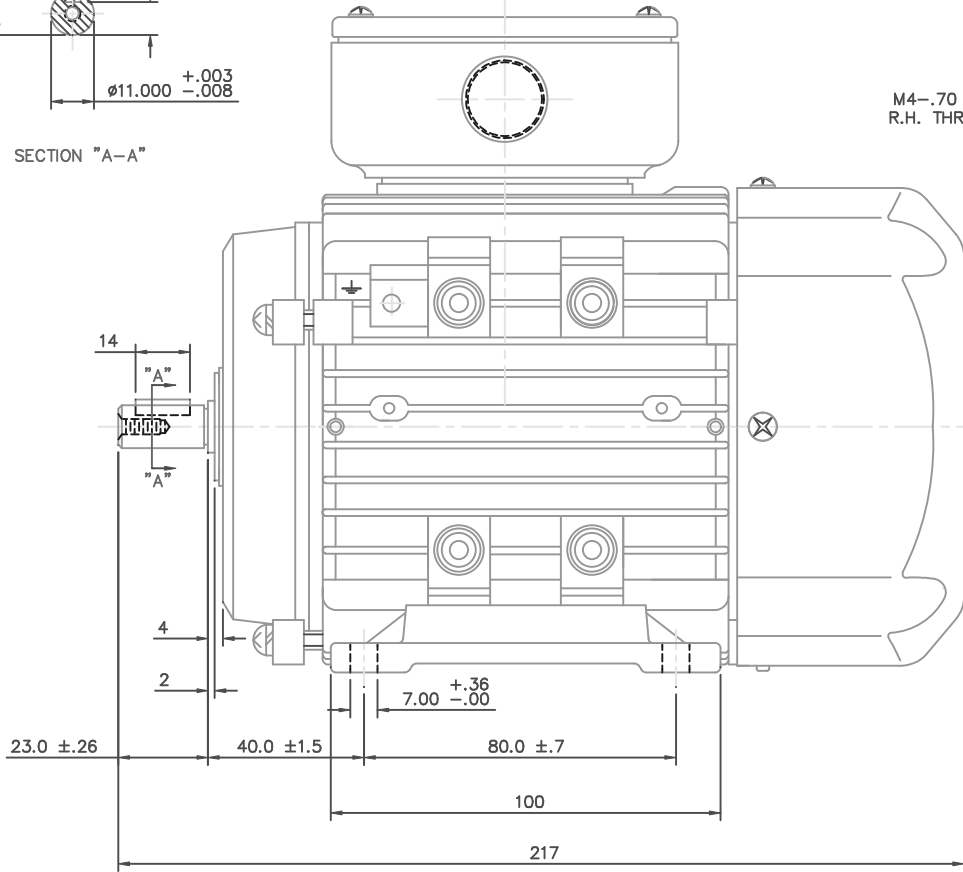
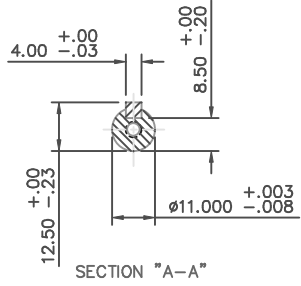
Nameplate Specifications

Output HP	0.25 Hp	Output KW	0.19 kW
Frequency	60 Hz	Voltage	575 V
Current	0.43 A	Speed	1700 rpm
Service Factor	1.15	Phase	3
Efficiency	68 %	Duty	Continuous
Insulation Class	F	Design Code	B
KVA Code	H	Frame	63
Enclosure	Totally Enclosed Fan Cooled	Overload Protector	No
Ambient Temperature	40 °C	Drive End Bearing Size	6202
Opp Drive End Bearing Size	6202	UL	Recognized
CSA	Y	CE	Y
IP Code	55		


Technical Specifications

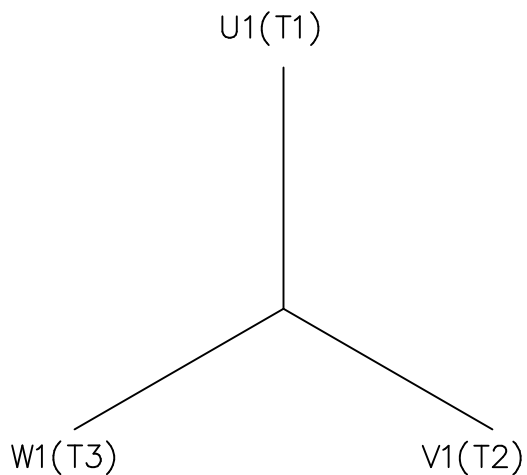
Electrical Type	Squirrel Cage Inverter Rated	Starting Method	Line Or Inverter
Poles	4	Rotation	Reversible
Mounting	B3	Motor Orientation	HORIZONTAL
Drive End Bearing	BALL	Opp Drive End Bearing	BALL
Frame Material	Aluminum	Shaft Type	IEC
Overall Length	8.54 in	Frame Length	4.44 in
Shaft Diameter	0.437 in	Shaft Extension	0.9 in
Assembly/Box Mounting	F3		
Outline Drawing	16985900	Connection Diagram	005468.01

This is an uncontrolled document once printed or downloaded and is subject to change without notice. Date Created: 10/15/2018

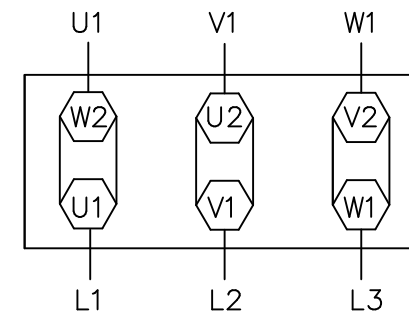


NO.		REVISION	BY & DATE	CHK	ANG	±1/2"	FINISH	PREV				
THIS DRAWING IN DESIGN AND DETAIL IS OUR PROPERTY AND MUST NOT BE USED EXCEPT IN CONNECTION WITH OUR WORK. ALL RIGHTS OF DESIGN AND INVENTION ARE RESERVED. THIS IS AN ELECTRONICALLY GENERATED DOCUMENT - DO NOT SCALE THIS PRINT							RFP	CAD FILE	16985900	SIZE	DRAWING NO.	REV.
							DIST		B	169859-00		

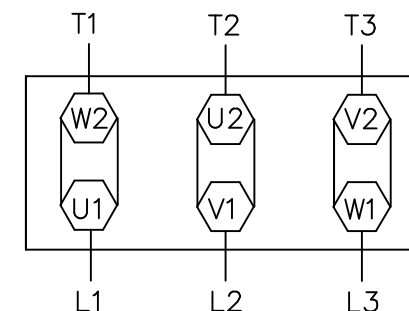
TOLERANCES UNLESS SPECIFIED		 ELECTRIC MOTORS GEARMOTORS AND DRIVES	DRAWN	
DEC.	METRIC		CHK	
.X	±2.5		APPD	
.XX	±.76		SCALE	1=1.25
.XXX	±.127		REF	OSVC-300-554
.XXXX	±.0127	MAT'L	ALUMINUM	
		TITLE	METRIC MOTOR OUTLINE, IMB3 IEC-63 FRAME RIGID MOUNT	
		FMF	LEESON STOCK	




IEC MARKINGS



NEMA MARKINGS



TO REVERSE ROTATION
INTERCHANGE ANY TWO
LINE LEADS

				TOLERANCES UNLESS SPECIFIED		 ELECTRIC MOTORS GEARMOTORS AND DRIVES	DRAWN	MGM 12/10/02		
				DEC.	INCHES		CHK			
				.X	±.1		APPD			
				.XX	±.01		SCALE	3=4		
				.XXX	±.005		REF			
				.XXXX	±.0005	MAT'L.	FMF			
NO.	REVISION	BY & DATE	CHK	ANG	±1/2"	FINISH	PREV			
THIS DRAWING IN DESIGN AND DETAIL IS OUR PROPERTY AND MUST NOT BE USED EXCEPT IN CONNECTION WITH OUR WORK ALL RIGHTS OF DESIGN AND INVENTION ARE RESERVED THIS IS AN ELECTRONICALLY GENERATED DOCUMENT - DO NOT SCALE THIS PRINT				RFP		CAD FILE	00546801	SIZE	DRAWING NO.	REV.
				DIST				A	005468-01	

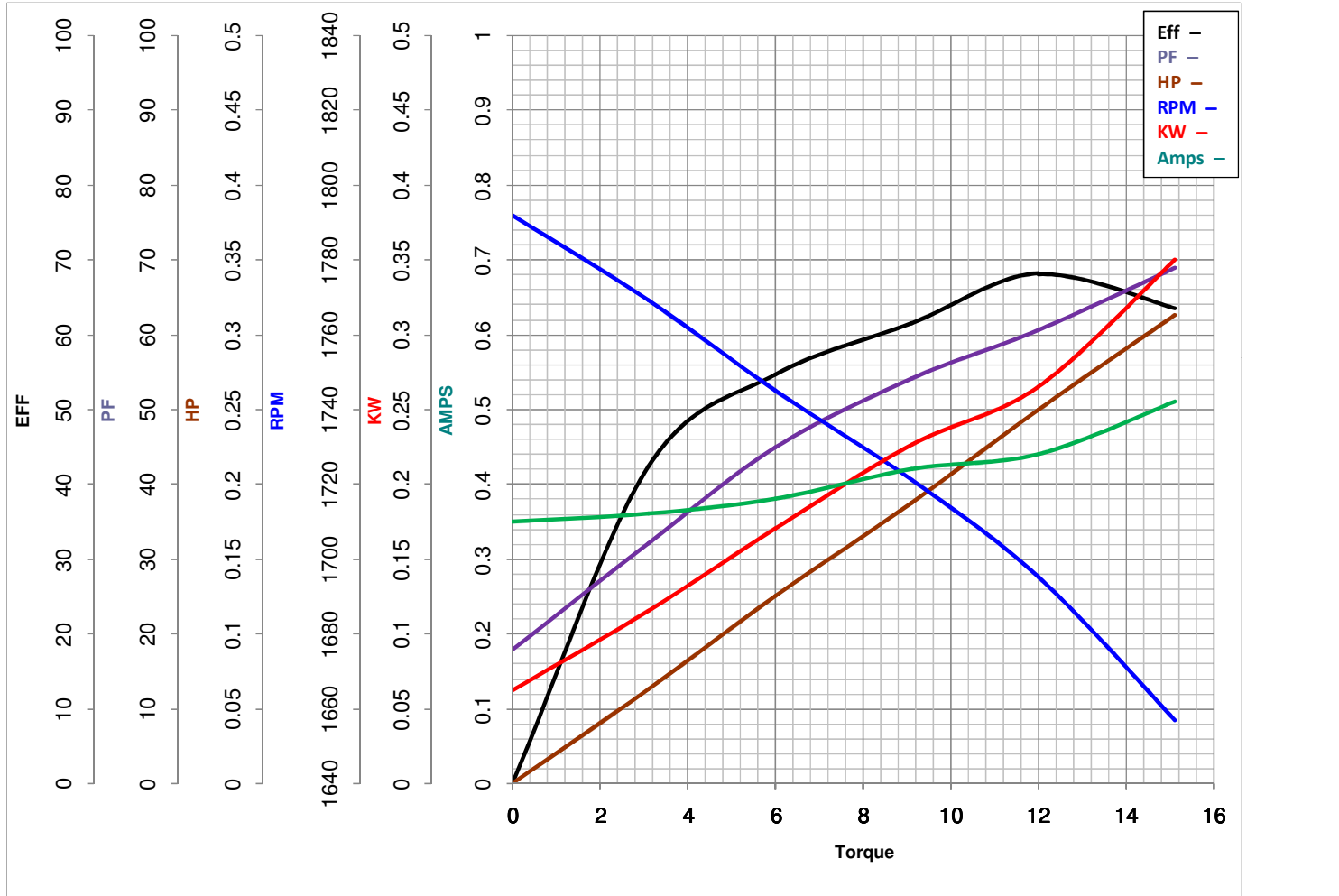


LEESON ELECTRIC CORPORATION
 TYPICAL PERFORMANCE CURVE for AC MOTOR

Model No 192089.00

Catalog No 192089.00

Curve at 575 Volts HP 0.25 PHASE 3
60 HZ
0.25 HP VOLTS 575
 HZ 60 RPM 1700



FL TORQUE	<u>12</u>	Oz.Ft	FL AMPS	<u>0.43</u>	
BD TORQUE	<u>33.0</u>	Oz.Ft	PU TORQUE	<u>27.6</u>	Oz.Ft
LR TORQUE	<u>31.2</u>	Oz.Ft	LR AMPS	<u>1.76</u>	
WINDING	QT6341-4		Date	5/21/2018	