

# PRODUCT INFORMATION PACKET



Model No: C71T34FZ2C

Catalog No: 192040.00

3/4HP-

.55KW..3400/2780RPM.71.IP55.230/460V.3PH.60/50HZ.CONT.40C.1.15/1.15SF.B3.C71T34FZ2C.....IEC

Metric.NOT.....

TEFC



Regal and Leeson are trademarks of Regal Beloit Corporation or one of its affiliated companies.

©2018 Regal Beloit Corporation, All Rights Reserved. MC017097E





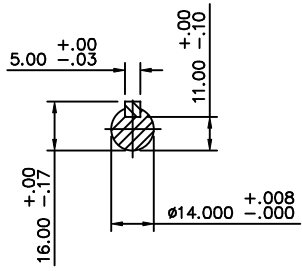
### Nameplate Specifications

Output HP	<b>0.75 Hp</b>	Output KW	<b>0.56 kW</b>
Frequency	<b>60 Hz</b>	Voltage	<b>230/460 V</b>
Current	<b>2.4/1.2 A</b>	Speed	<b>3400 rpm</b>
Service Factor	<b>1.15</b>	Phase	<b>3</b>
Efficiency	<b>74 %</b>	Duty	<b>Continuous</b>
Insulation Class	<b>F</b>	Design Code	<b>B</b>
KVA Code	<b>J</b>	Frame	<b>D71</b>
Enclosure	<b>Totally Enclosed Fan Cooled</b>	Overload Protector	<b>No</b>
Ambient Temperature	<b>40 °C</b>	Drive End Bearing Size	<b>6203</b>
Opp Drive End Bearing Size	<b>6203</b>	UL	<b>Recognized</b>
CSA	<b>Y</b>	CE	<b>Y</b>
IP Code	<b>55</b>		

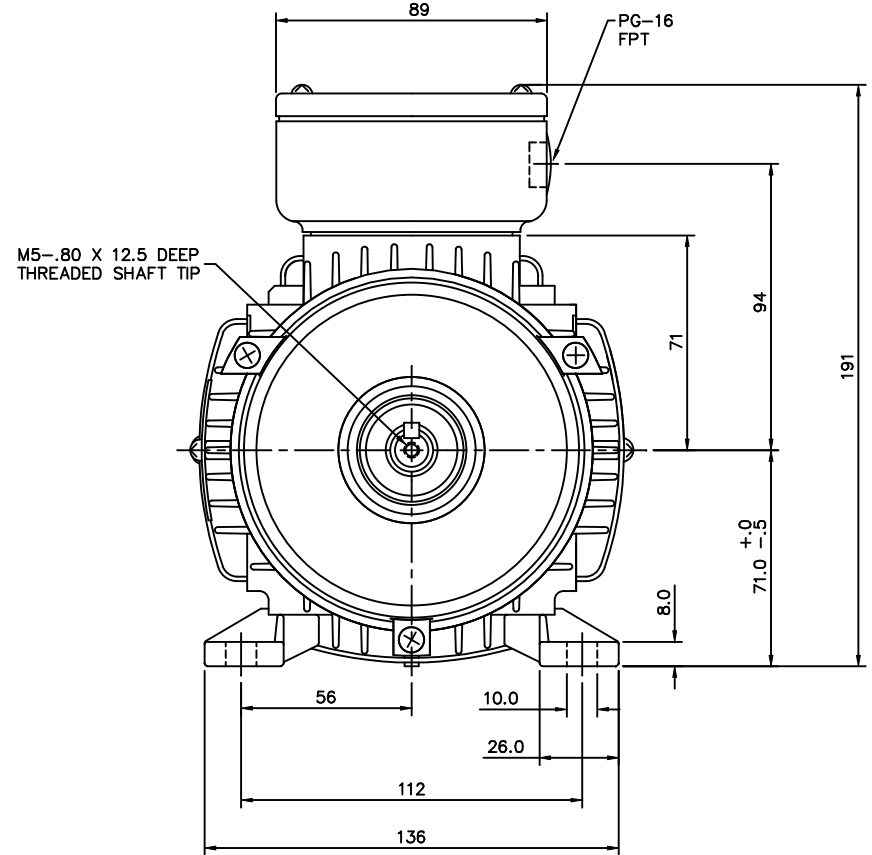
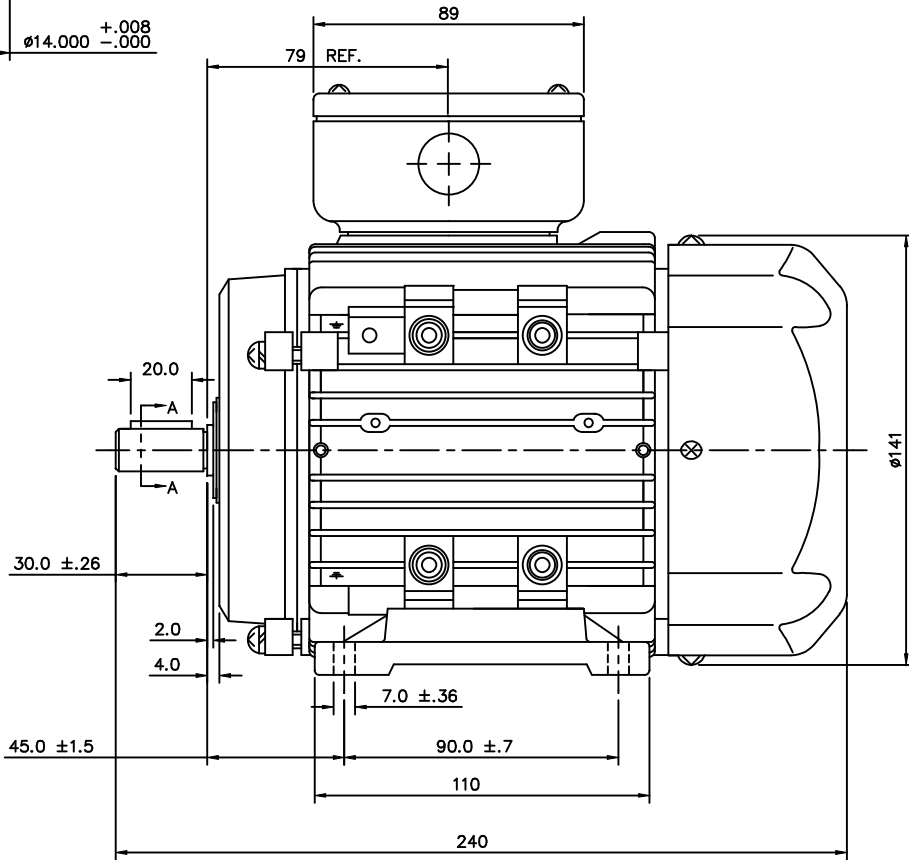
### Technical Specifications

Electrical Type	<b>Squirrel Cage Inverter Rated</b>	Starting Method	<b>Line Or Inverter</b>
Poles	<b>2</b>	Rotation	<b>Reversible</b>
Mounting	<b>B3</b>	Motor Orientation	<b>HORIZONTAL</b>
Drive End Bearing	<b>BALL</b>	Opp Drive End Bearing	<b>BALL</b>
Frame Material	<b>Aluminum</b>	Shaft Type	<b>IEC</b>
Overall Length	<b>9.44 in</b>	Frame Length	<b>4.68 in</b>
Shaft Diameter	<b>0.562 in</b>	Shaft Extension	<b>1.18 in</b>
Assembly/Box Mounting	<b>F3</b>		
Outline Drawing	<b>16986000</b>	Connection Diagram	<b>005465.01</b>

This is an uncontrolled document once printed or downloaded and is subject to change without notice. Date Created: 10/15/2018

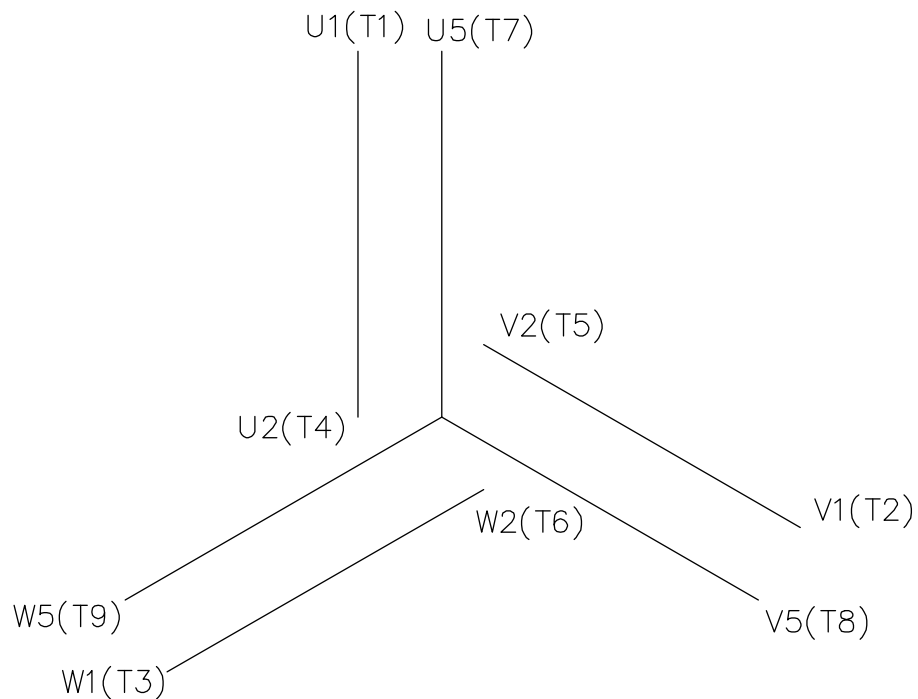


SECTION "A-A"



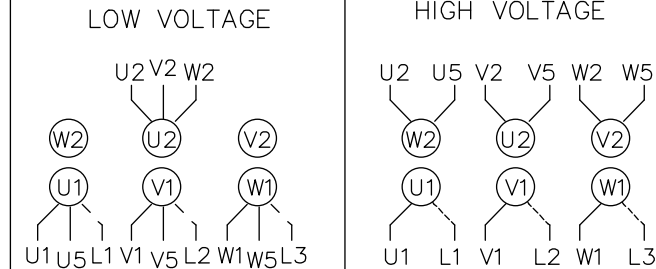
		TOLERANCES UNLESS SPECIFIED		LEESON	ELECTRIC MOTORS GEARMOTORS AND DRIVES	DRAWN	ADS		
		DEC.	METRIC			CHK	APPD		
		.X	±	TITLE		SCALE	1=1.6		
		.XXX	±	METRIC MOTOR OUTLINE, IMB3 IEC-71 FRAME RIGID		REF	OSVC-300-553		
		.XXXX	±	MAT'L		FMF	LEESON STOCK		
NO.	REVISION	BY & DATE	CHK	ANG	FINISH	PREV			
THIS DRAWING IN DESIGN AND DETAIL IS OUR PROPERTY AND MUST NOT BE USED EXCEPT IN CONNECTION WITH OUR WORK ALL RIGHTS OF DESIGN AND INVENTION ARE RESERVED THIS IS AN ELECTRONICALLY GENERATED DOCUMENT - DO NOT SCALE THIS PRINT				RFP	CAD FILE	16986000	SIZE	DRAWING NO.	REV.
				DIST			B	169860-00	

ERROR: undefined  
OFFENDING COMMAND: Pscript\_WinNT\_Co  
STACK :



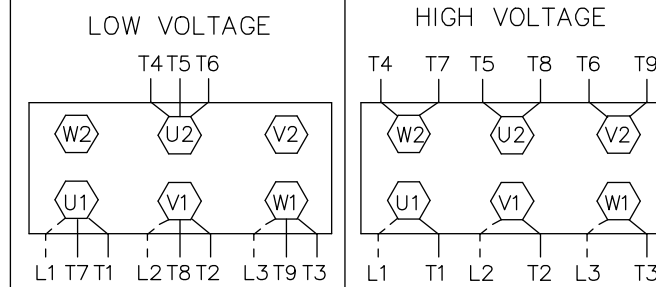
REF. DECAL (IEC) 080644  
REF. DECAL (NEMA) 080446

IEC MARKINGS



LINE VOLTAGE	L1	L2	L3	JOIN		
TERMINAL	U1	V1	W1	W2	U2	V2
LOW	U1,U5	V1,V5	W1,W5	---	U2,V2,W2	---
HIGH	U1	V1	W1	U2,U5	V2,V5	W2,W5

NEMA MARKINGS



LINE VOLTAGE	L1	L2	L3	JOIN		
TERMINAL	U1	V1	W1	W2	U2	V2
LOW	T1, T7	T2, T8	T3, T9	---	T4,T5,T6	---
HIGH	T1	T2	T3	T4, T7	T5, T8	T6, T9

				TOLERANCES UNLESS SPECIFIED			ELECTRIC MOTORS GEARMOTORS AND DRIVES		DRAWN MGM 12/3/02		
				DEC.	INCHES				CHK		
				.X	±.1				APPD		
				.XX	±.01		TITLE		SCALE 1=1		
				.XXX	±.005		EXTERNAL WIRING DIAGRAM 3 PHASE - DUAL VOLTAGE - W/TERM BLOCK		REF 00537703		
01	NEMA LV CONNECTION WAS INCORRECT	RLW	8/4/03	.XXXX	±.0005	MAT'L.		IEC/NEMA MARKINGS		FMF	
NO.	REVISION	BY & DATE	CHK	ANG	±1/2'	FINISH		THERMAL TRANSFER		PREV	
THIS DRAWING IN DESIGN AND DETAIL IS OUR PROPERTY AND MUST NOT BE USED EXCEPT IN CONNECTION WITH OUR WORK ALL RIGHTS OF DESIGN AND INVENTION ARE RESERVED THIS IS AN ELECTRONICALLY GENERATED DOCUMENT - DO NOT SCALE THIS PRINT				RFP	CAD FILE		00546501	SIZE	DRAWING NO.		REV.
				DIST				A	005465-01		01



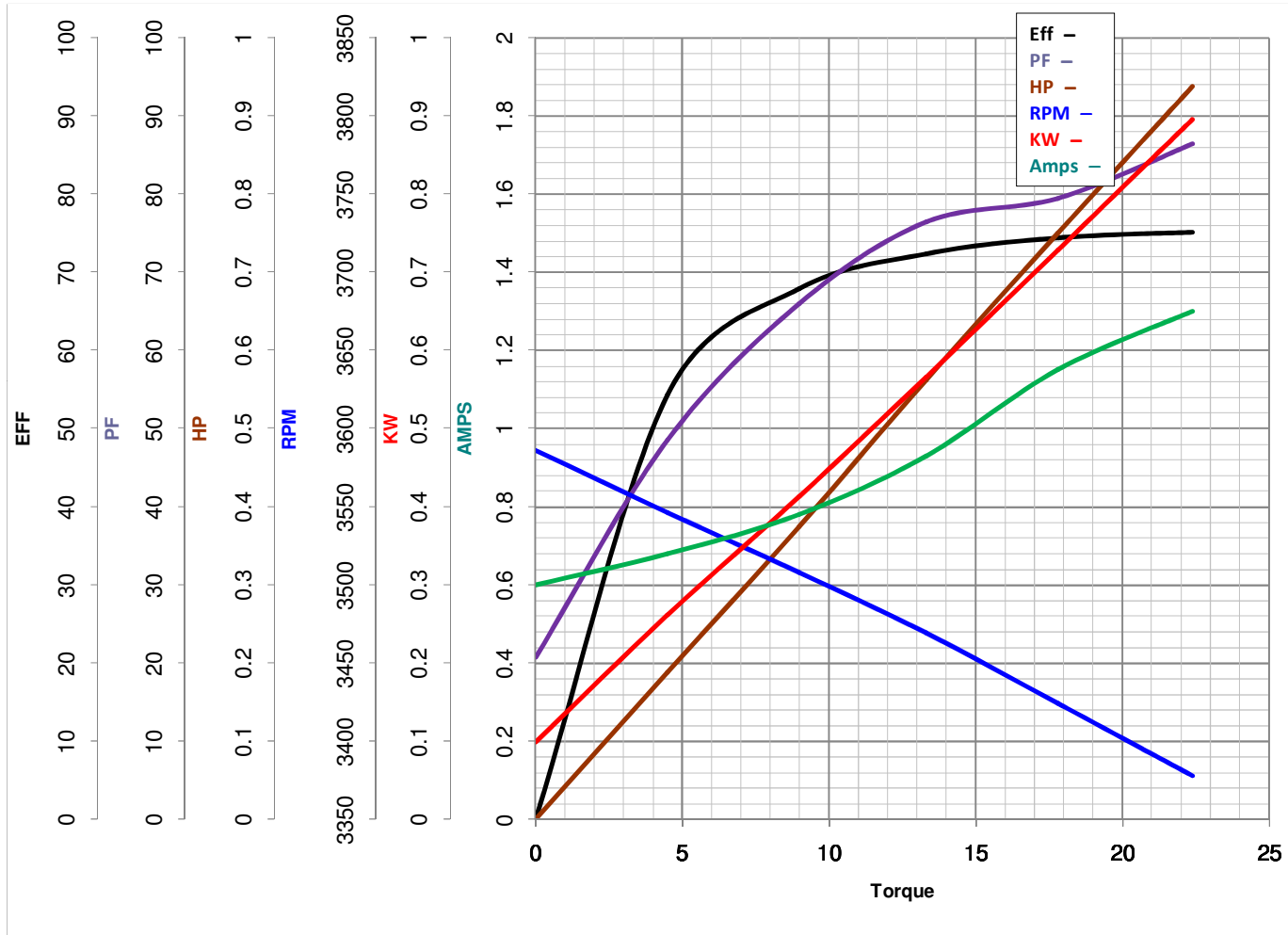
**LEESON ELECTRIC CORPORATION**  
TYPICAL PERFORMANCE CURVE for AC MOTOR

Model No 192040.00

Catalog No 192040.00

Curve at 460 Volts      HP 0.75&0.75      PHASE 3  
60 HZ  
0.75 HP      VOLTS 230/460&200/400

HZ 60&50      RPM 3400&2780



Torque in Oz.Ft

FL TORQUE 17.8 Oz.Ft  
BD TORQUE 63.0 Oz.Ft  
LR TORQUE 68 Oz.Ft

FL AMPS 2.4/1.2  
PU TORQUE 57.6 Oz.Ft  
LR AMPS 6.8

WINDING QT7122-3

Date 5/29/2018