

# PRODUCT INFORMATION PACKET



Model No: C80T11FZ2C

Catalog No: 192032.00

1/2HP-

.37KW..1130/915RPM.80.IP55.230/460V.3PH.60/50HZ.CONT.40C.1.15/1.15SF.B3.C80T11FZ2C.....IEC

Metric.NOT.....

TEFC



Regal and Leeson are trademarks of Regal Beloit Corporation or one of its affiliated companies.

©2018 Regal Beloit Corporation, All Rights Reserved. MC017097E





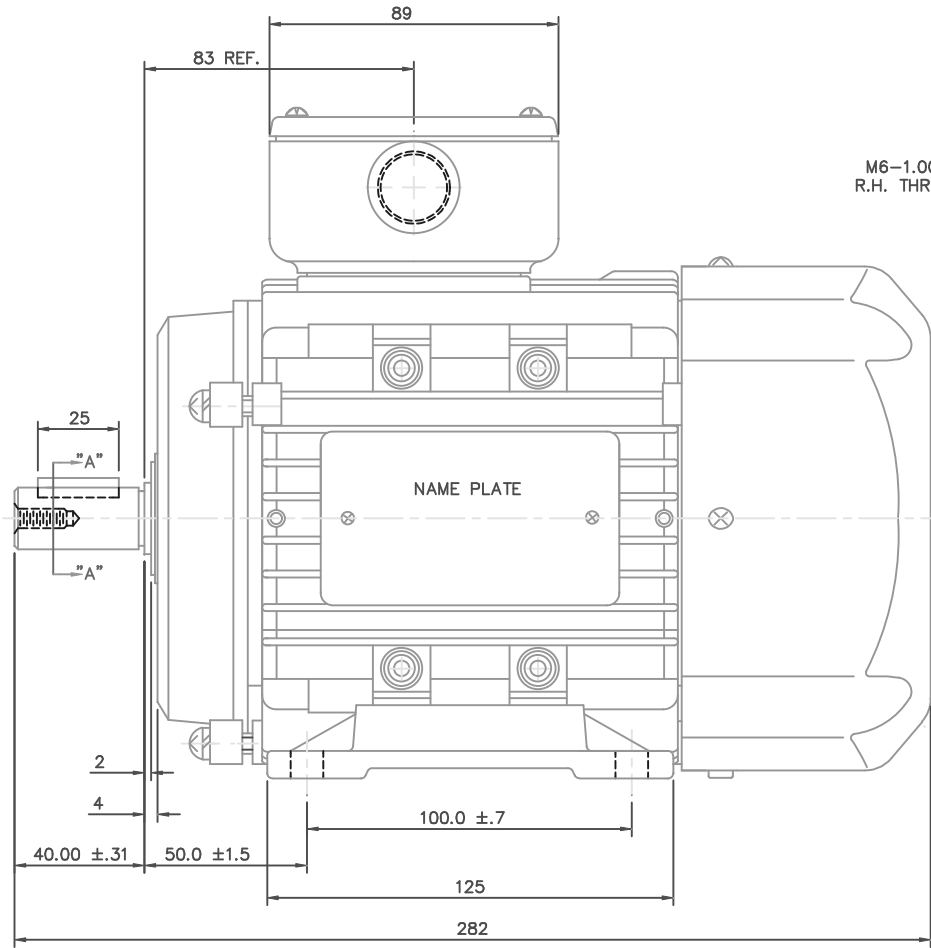
### Nameplate Specifications

Output HP	<b>0.50 Hp</b>	Output KW	<b>0.37 kW</b>
Frequency	<b>60 Hz</b>	Voltage	<b>230/460 V</b>
Current	<b>1.9/0.95 A</b>	Speed	<b>1130 rpm</b>
Service Factor	<b>1.15</b>	Phase	<b>3</b>
Efficiency	<b>72 %</b>	Duty	<b>Continuous</b>
Insulation Class	<b>F</b>	Design Code	<b>B</b>
KVA Code	<b>H</b>	Frame	<b>D80</b>
Enclosure	<b>Totally Enclosed Fan Cooled</b>	Overload Protector	<b>No</b>
Ambient Temperature	<b>40 °C</b>	Drive End Bearing Size	<b>6204</b>
Opp Drive End Bearing Size	<b>6204</b>	UL	<b>Recognized</b>
CSA	<b>Y</b>	CE	<b>Y</b>
IP Code	<b>55</b>		

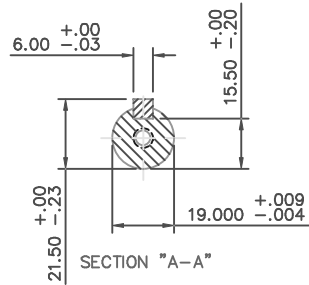
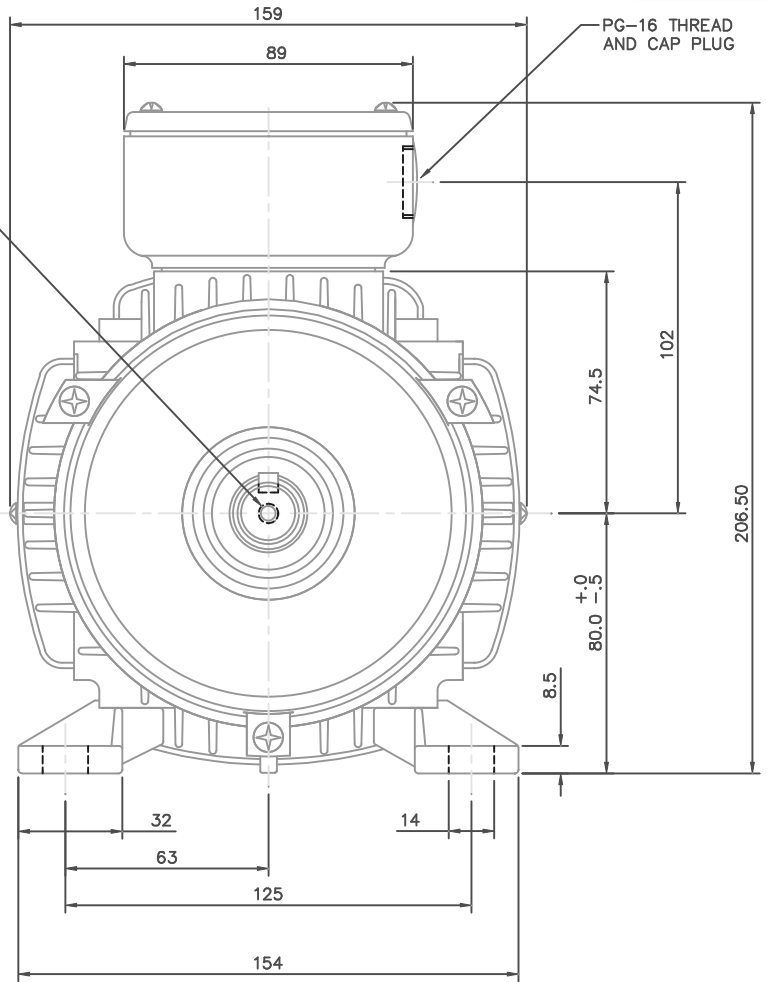
### Technical Specifications

Electrical Type	<b>Squirrel Cage Inverter Rated</b>	Starting Method	<b>Line Or Inverter</b>
Poles	<b>6</b>	Rotation	<b>Reversible</b>
Mounting	<b>B3</b>	Motor Orientation	<b>HORIZONTAL</b>
Drive End Bearing	<b>BALL</b>	Opp Drive End Bearing	<b>BALL</b>
Frame Material	<b>Aluminum</b>	Shaft Type	<b>IEC</b>
Overall Length	<b>11.10 in</b>	Frame Length	<b>5.31 in</b>
Shaft Diameter	<b>0.750 in</b>	Shaft Extension	<b>1.57 in</b>
Assembly/Box Mounting	<b>F3</b>		
Outline Drawing	<b>16986100</b>	Connection Diagram	<b>005465.01</b>

**This is an uncontrolled document once printed or downloaded and is subject to change without notice. Date Created: 10/15/2018**

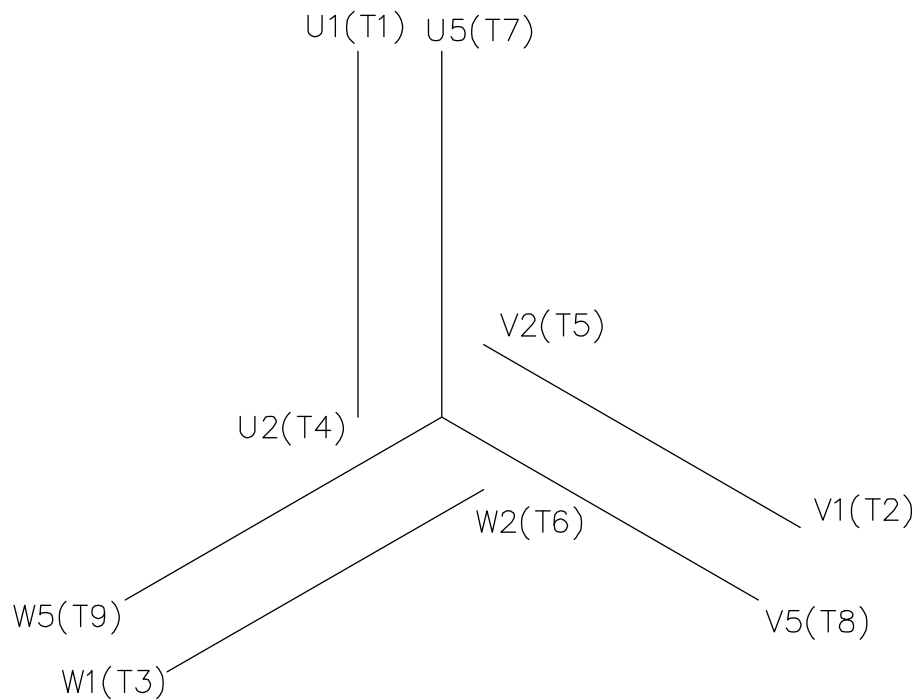


M6-1.00 x 16 DEEP  
R.H. THREADED SHAFT



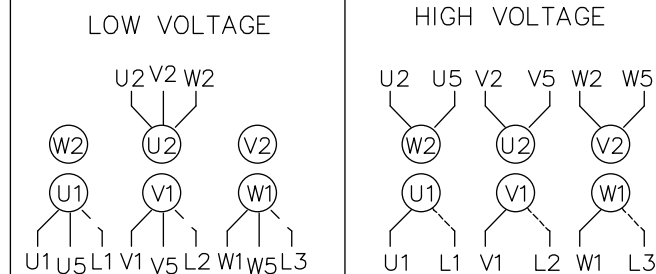
NO.		REVISION	BY & DATE	CHK	ANG	±1/2"	FINISH	PREV			
THIS DRAWING IN DESIGN AND DETAIL IS OUR PROPERTY AND MUST NOT BE USED EXCEPT IN CONNECTION WITH OUR WORK. ALL RIGHTS OF DESIGN AND INVENTION ARE RESERVED. THIS IS AN ELECTRONICALLY GENERATED DOCUMENT - DO NOT SCALE THIS PRINT.				RFP			CAD FILE	16986100	SIZE B	DRAWING NO. 169861-00	REV.
				DIST							

TOLERANCES UNLESS SPECIFIED		LEESON		ELECTRIC MOTORS GEARMOTORS AND DRIVES		DRAWN ADS 01/22/02	
DEC.	INCHES					CHK	
.X	±.1	TITLE		METRIC OUTLINE, IMB3		APPD	SCALE 1=1.5
.XX	±.03	MAT'L		IEC-80 FRAME TEFC		REF	OSVC-300-552
.XXX	±.005			ALUMINUM		FMF	LEESON STOCK
.XXXX	±.0005					PREV	



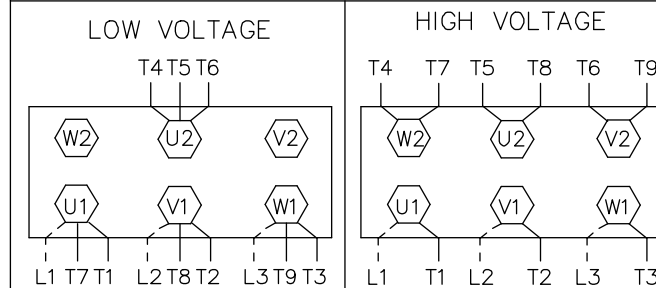
REF. DECAL (IEC) 080644  
REF. DECAL (NEMA) 080446

IEC MARKINGS



LINE VOLTAGE	L1	L2	L3	JOIN		
TERMINAL	U1	V1	W1	W2	U2	V2
LOW	U1,U5	V1,V5	W1,W5	---	U2,V2,W2	---
HIGH	U1	V1	W1	U2,U5	V2,V5	W2,W5

NEMA MARKINGS



LINE VOLTAGE	L1	L2	L3	JOIN		
TERMINAL	U1	V1	W1	W2	U2	V2
LOW	T1, T7	T2, T8	T3, T9	---	T4,T5,T6	---
HIGH	T1	T2	T3	T4, T7	T5, T8	T6, T9

		TOLERANCES UNLESS SPECIFIED		ELECTRIC MOTORS GEARMOTORS AND DRIVES	DRAWN			
		DEC.	INCHES		MGM 12/3/02			
		.X	±.1		TITLE EXTERNAL WIRING DIAGRAM 3 PHASE - DUAL VOLTAGE - W/TERM BLOCK	CHK		
		.XX	±.01			APPD		
		.XXX	±.005			SCALE 1=1		
		.XXXX	±.0005	REF 00537703				
01	NEMA LV CONNECTION WAS INCORRECT	RLW	8/4/03	MAT'L.	IEC/NEMA MARKINGS	FMF		
NO.	REVISION	BY & DATE	CHK	ANG	±1/2'	PREV		
THIS DRAWING IN DESIGN AND DETAIL IS OUR PROPERTY AND MUST NOT BE USED EXCEPT IN CONNECTION WITH OUR WORK ALL RIGHTS OF DESIGN AND INVENTION ARE RESERVED THIS IS AN ELECTRONICALLY GENERATED DOCUMENT - DO NOT SCALE THIS PRINT			RFP	CAD FILE	00546501	SIZE	DRAWING NO.	REV.
			DIST			A	005465-01	01



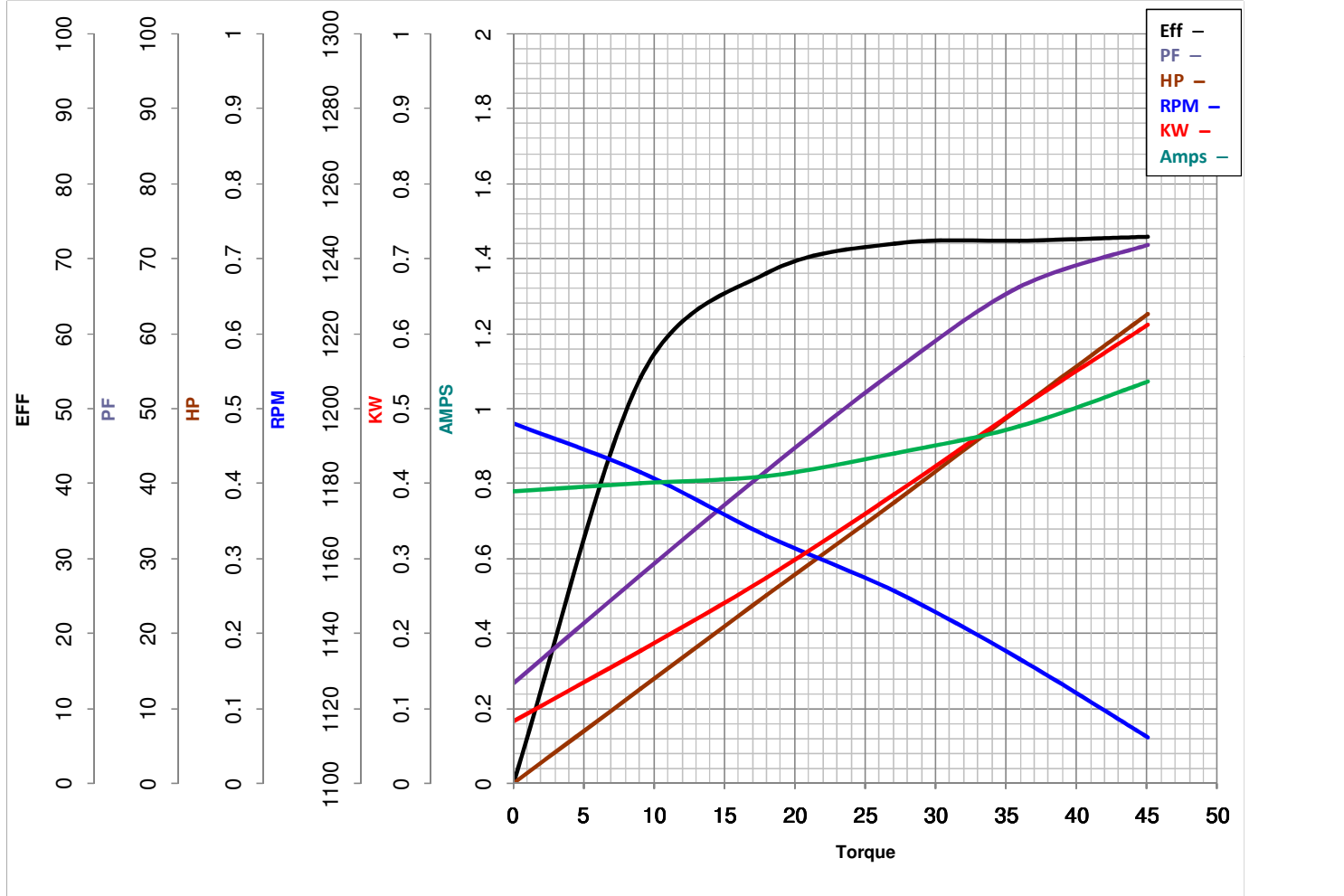
**LEESON ELECTRIC CORPORATION**  
 TYPICAL PERFORMANCE CURVE for AC MOTOR

Model No 192032.00

Catalog No 192032.00

Curve at 460 Volts      HP 0.5&0.5      PHASE 3  
60 HZ  
0.5 HP      VOLTS 230/460&200/400

HZ 60&50      RPM 1130&915



FL TORQUE	<u>36</u>	Oz.Ft	FL AMPS	<u>1.9/.95</u>	
BD TORQUE	<u>97.8</u>	Oz.Ft	PU TORQUE	<u>83.0</u>	Oz.Ft
LR TORQUE	<u>91.8</u>	Oz.Ft	LR AMPS	<u>4.1</u>	
WINDING	QT8062-3		Date	5/25/2018	