

# PRODUCT INFORMATION PACKET



Model No: C80T11FZ7C

Catalog No: 192026.00

1/3HP-

.25KW..1130/915RPM.80.IP55.230/460V.3PH.60/50HZ.CONT.40C.1.15/1.15SF.B3/B5.C80T11FZ7C.....IEC

Metric.NOT.....

TEFC



Regal and Leeson are trademarks of Regal Beloit Corporation or one of its affiliated companies.

©2018 Regal Beloit Corporation, All Rights Reserved. MC017097E





### Nameplate Specifications

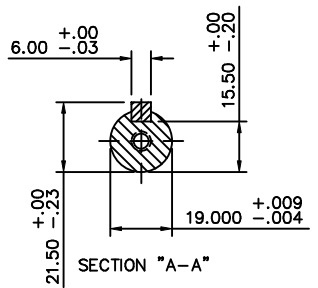
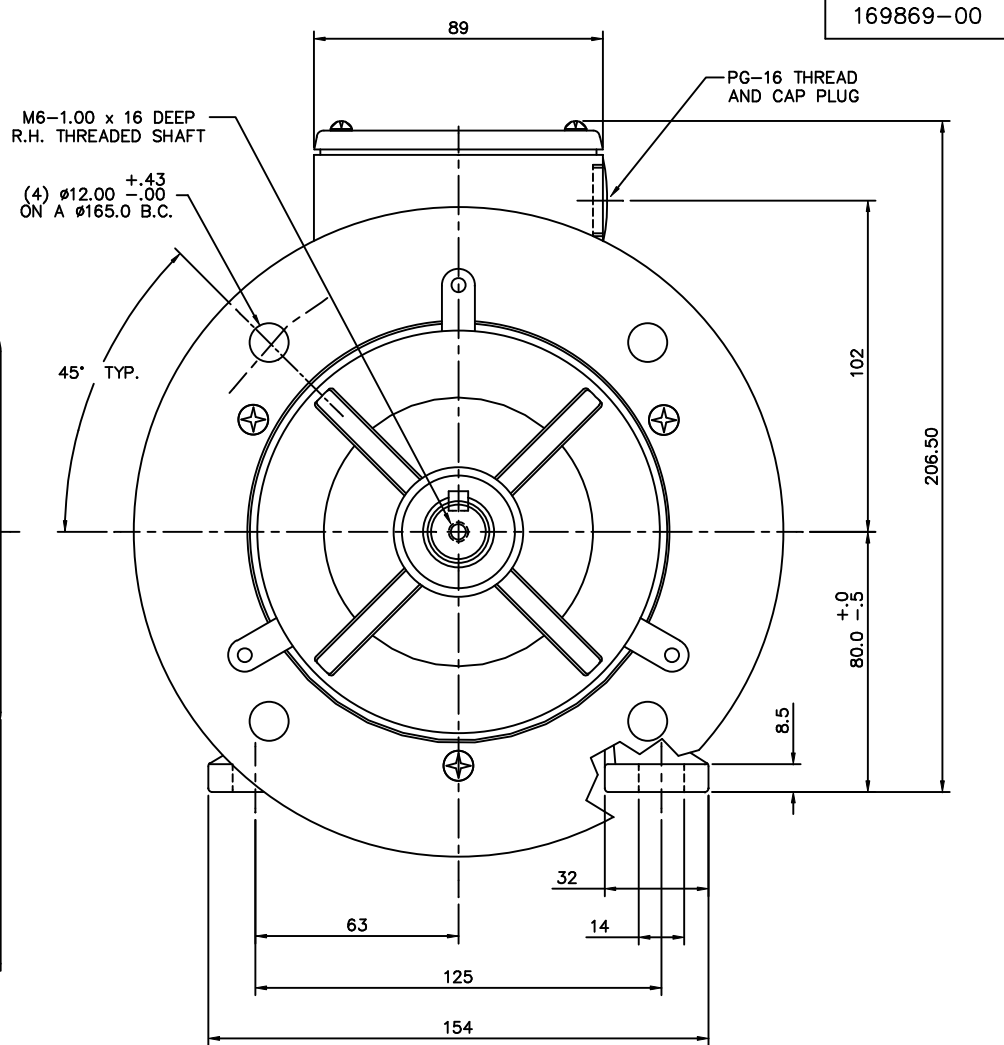
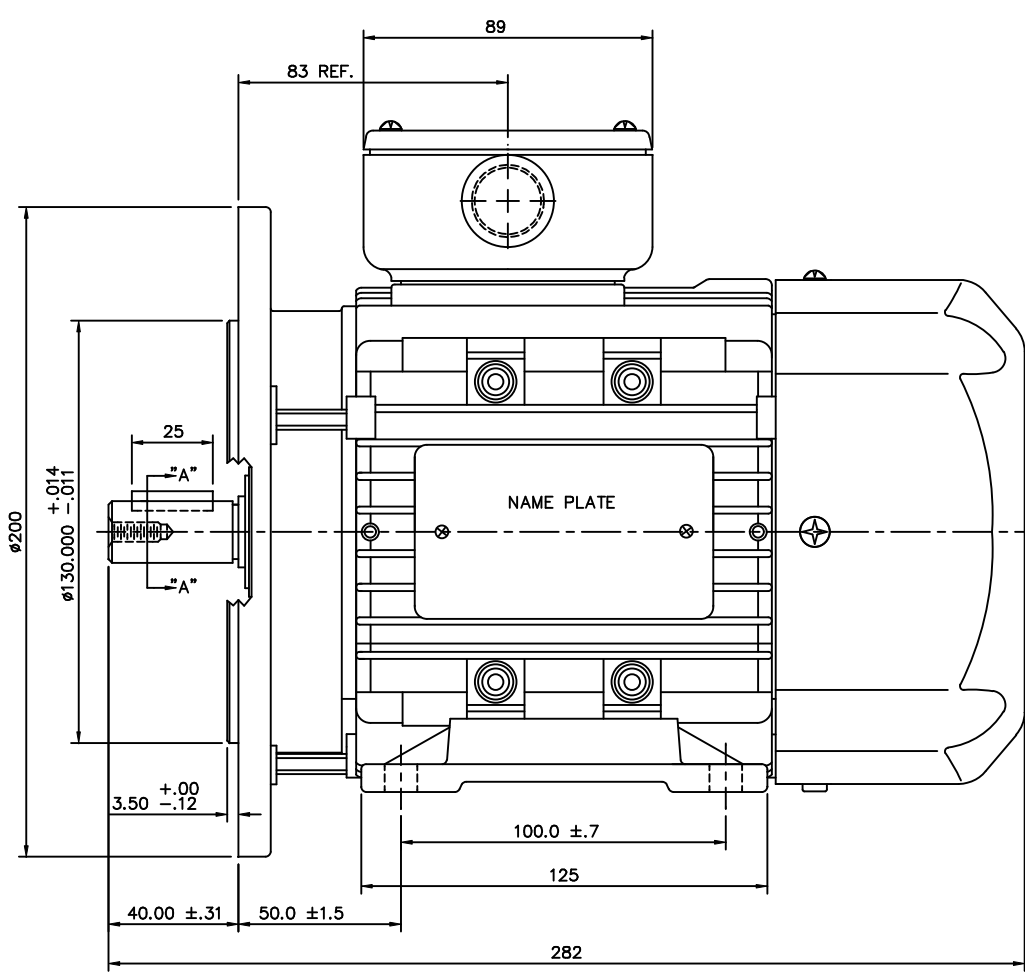
Output HP	<b>0.33 Hp</b>	Output KW	<b>0.25 kW</b>
Frequency	<b>60 Hz</b>	Voltage	<b>230/460 V</b>
Current	<b>1.3/0.65 A</b>	Speed	<b>1130 rpm</b>
Service Factor	<b>1.15</b>	Phase	<b>3</b>
Efficiency	<b>70 %</b>	Duty	<b>Continuous</b>
Insulation Class	<b>F</b>	Design Code	<b>B</b>
KVA Code	<b>H</b>	Frame	<b>D80D</b>
Enclosure	<b>Totally Enclosed Fan Cooled</b>	Overload Protector	<b>No</b>
Ambient Temperature	<b>40 °C</b>	Drive End Bearing Size	<b>6204</b>
Opp Drive End Bearing Size	<b>6204</b>	UL	<b>Recognized</b>
CSA	<b>Y</b>	CE	<b>Y</b>
IP Code	<b>55</b>		

### Technical Specifications

Electrical Type	<b>Squirrel Cage Inverter Rated</b>	Starting Method	<b>Line Or Inverter</b>
Poles	<b>6</b>	Rotation	<b>Reversible</b>
Mounting	<b>B3</b>	Motor Orientation	<b>HORIZONTAL</b>
Drive End Bearing	<b>BALL</b>	Opp Drive End Bearing	<b>BALL</b>
Frame Material	<b>Aluminum</b>	Shaft Type	<b>IEC</b>
Overall Length	<b>11.10 in</b>	Frame Length	<b>5.31 in</b>
Shaft Diameter	<b>0.750 in</b>	Shaft Extension	<b>1.57 in</b>
Assembly/Box Mounting	<b>F3</b>		
Outline Drawing	<b>16986900</b>	Connection Diagram	<b>005465.01</b>

This is an uncontrolled document once printed or downloaded and is subject to change without notice. Date Created: 10/15/2018

169869-00



				TOLERANCES UNLESS SPECIFIED			ELECTRIC MOTORS GEARMOTORS AND DRIVES	DRAWN	ADS 01/22/02
				DEC.	INCHES			CHK	
				.X	±.1			APPD	
				.XX	±.03			TITLE	1=1.5
				.XXX	±.005			IEC-80 FRAME TEFC RIGID W/B5 FLANGE	REF OSVC-300-552
01	CHANGED PART NUMBER IN TITLE BLOCK	RDW 8/17/05	KJH	.XXXX	±.0005	MAT'L	ALUMINUM	FMF	LEESON STOCK
NO.	REVISION	BY & DATE	CHK	ANG	±1/2"	FINISH		PREV	
THIS DRAWING IN DESIGN AND DETAIL IS OUR PROPERTY AND MUST NOT BE USED EXCEPT IN CONNECTION WITH OUR WORK ALL RIGHTS OF DESIGN AND INVENTION ARE RESERVED THIS IS AN ELECTRONICALLY GENERATED DOCUMENT - DO NOT SCALE THIS PRINT				RFP		CAD FILE	16986900	SIZE	DRAWING NO.
				DIST				B	169869-00
									01



REF. DECAL (IEC) 080644  
REF. DECAL (NEMA) 080446

IEC MARKINGS




LINE VOLTAGE	L1	L2	L3	JOIN		
TERMINAL	U1	V1	W1	W2	U2	V2
LOW	U1,U5	V1,V5	W1,W5	---	U2,V2,W2	---
HIGH	U1	V1	W1	U2,U5	V2,V5	W2,W5

NEMA MARKINGS



LINE VOLTAGE	L1	L2	L3	JOIN		
TERMINAL	U1	V1	W1	W2	U2	V2
LOW	T1, T7	T2, T8	T3, T9	---	T4,T5,T6	---
HIGH	T1	T2	T3	T4, T7	T5, T8	T6, T9

		TOLERANCES UNLESS SPECIFIED		 ELECTRIC MOTORS GEARMOTORS AND DRIVES	DRAWN				
		DEC.	INCHES		MGM 12/3/02				
		.X	±.1		CHK				
		.XX	±.01		APPD				
		.XXX	±.005		SCALE 1=1				
01	NEMA LV CONNECTION WAS INCORRECT	RLW	8/4/03	.XXXX	±.0005	TITLE	EXTERNAL WIRING DIAGRAM 3 PHASE - DUAL VOLTAGE - W/TERM BLOCK	REF	00537703
NO.	REVISION	BY & DATE	CHK	ANG	±1/2'	MAT'L.	IEC/NEMA MARKINGS	FMF	
			RFP	CAD FILE		00546501	SIZE	DRAWING NO.	REV.
			DIST				A	005465-01	01

THIS DRAWING IN DESIGN AND DETAIL IS OUR PROPERTY AND MUST NOT BE USED EXCEPT IN CONNECTION WITH OUR WORK ALL RIGHTS OF DESIGN AND INVENTION ARE RESERVED THIS IS AN ELECTRONICALLY GENERATED DOCUMENT - DO NOT SCALE THIS PRINT



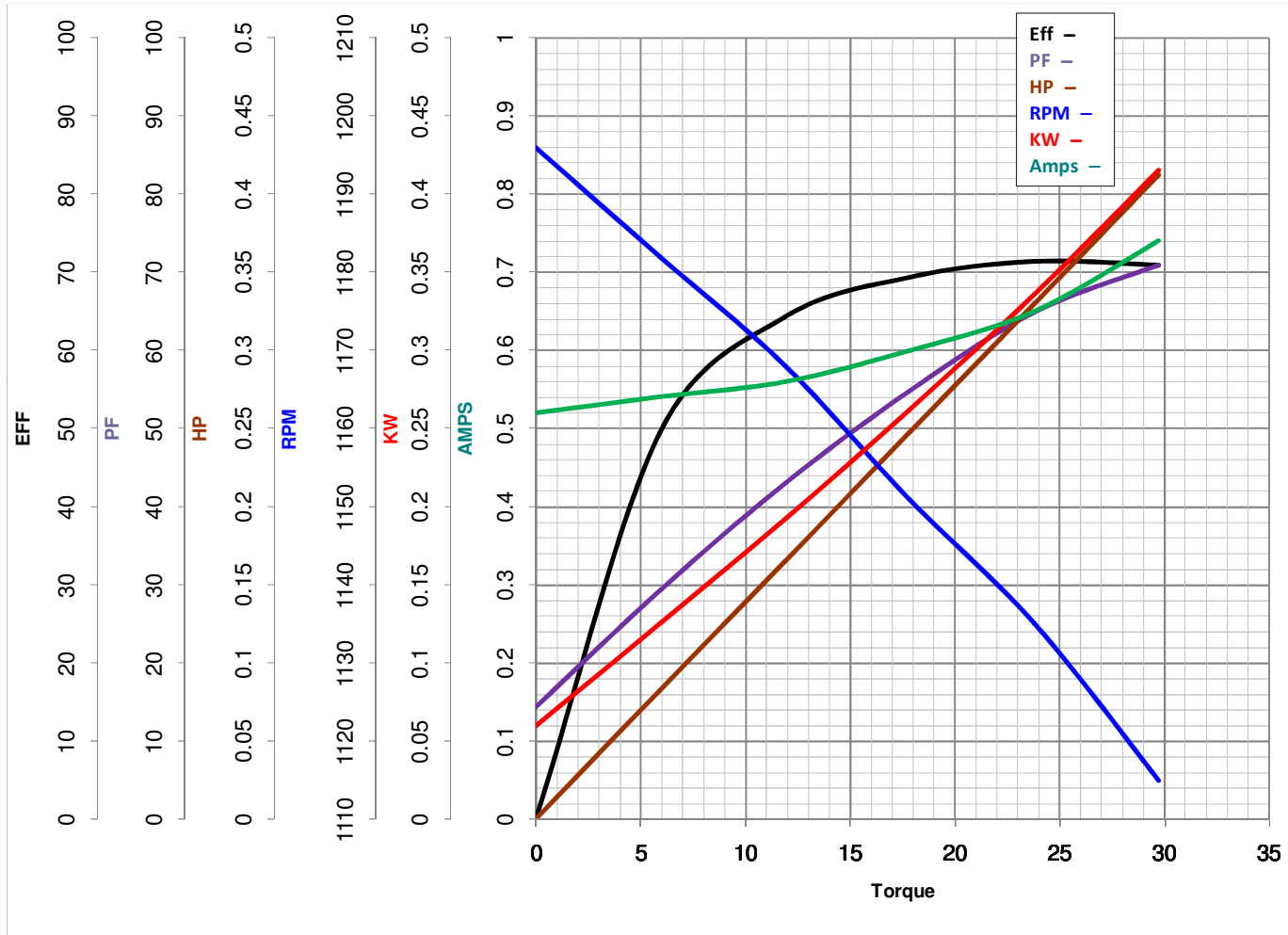
**LEESON ELECTRIC CORPORATION**  
 TYPICAL PERFORMANCE CURVE for AC MOTOR

Model No 192026.00

Catalog No 192026.00

Curve at 460 Volts      HP 0.33&0.33      PHASE 3  
60 HZ  
0.33 HP      VOLTS 230/460&200/400

HZ 60&50      RPM 1130&915



Torque in Oz.Ft

FL TORQUE 23.8 Oz.Ft  
 BD TORQUE 64.8 Oz.Ft  
 LR TORQUE 54 Oz.Ft

FL AMPS 1.3/.65  
 PU TORQUE 51.6 Oz.Ft  
 LR AMPS 2.65

WINDING QT8061-3

Date 5/22/2018