

PRODUCT INFORMATION PACKET



Model No: C63T34FZ5C

Catalog No: 192014.00

1/4HP-

.18KW..3430/2760RPM.63.IP55.230/460V.3PH.60/50HZ.CONT.40C.1.15/1.15SF.B5.C63T34FZ5C.....IEC

Metric.NOT.....

TEFC



Regal and Leeson are trademarks of Regal Beloit Corporation or one of its affiliated companies.

©2018 Regal Beloit Corporation, All Rights Reserved. MC017097E



Product Information Packet: Model No: C63T34FZ5C, Catalog No:192014.00 1/4HP-
 .18KW..3430/2760RPM.63.IP55.230/460V.3PH.60/50HZ.CONT.40C.1.15/1.15SF.B5.C63T34FZ5C.....IEC
 Metric.NOT.....



Nameplate Specifications

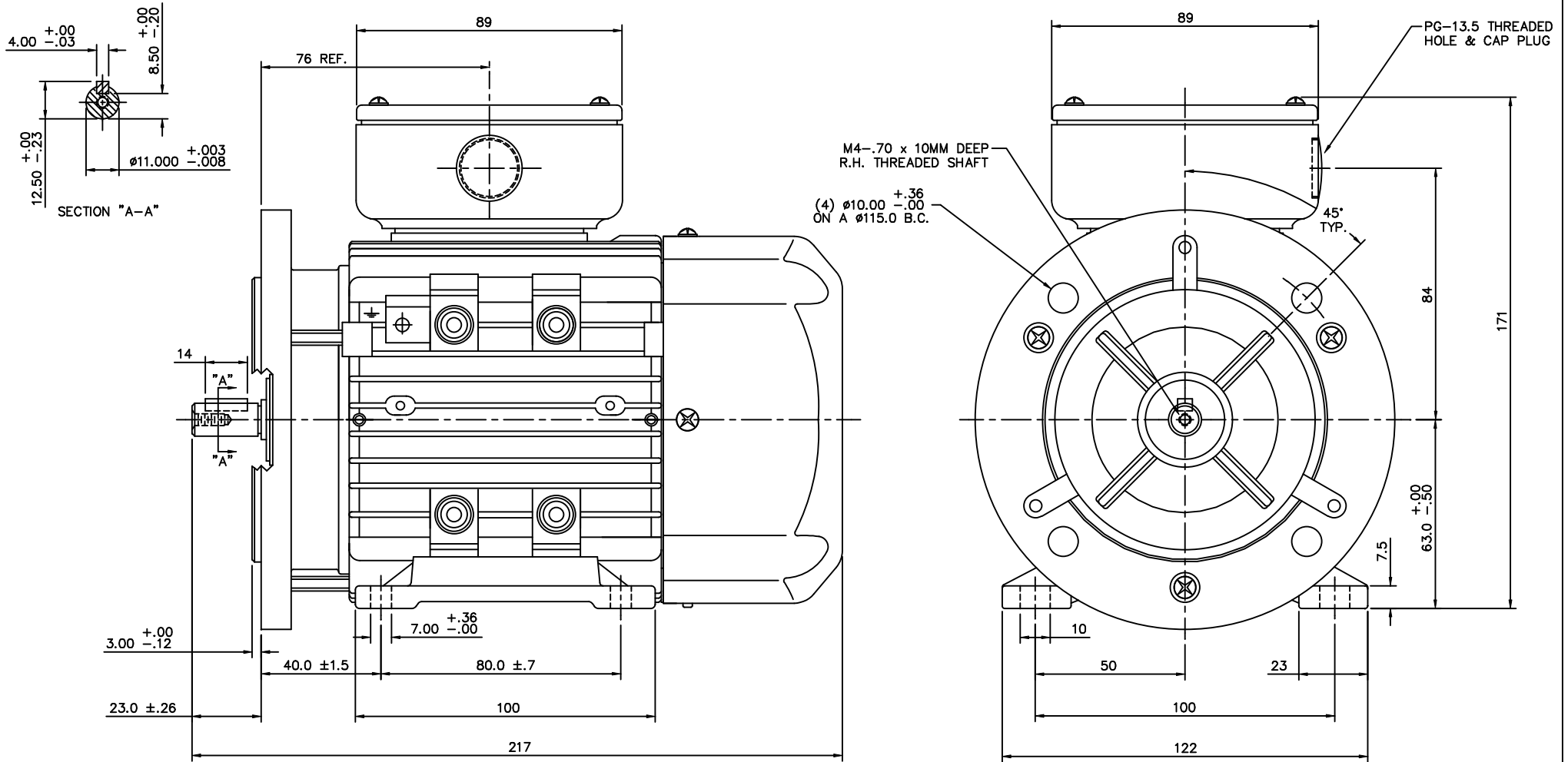
Output HP	0.25 Hp	Output KW	0.19 kW
Frequency	60 Hz	Voltage	230/460 V
Current	0.84/0.42 A	Speed	3430 rpm
Service Factor	1.15	Phase	3
Efficiency	72 %	Duty	Continuous
Insulation Class	F	Design Code	B
KVA Code	J	Frame	D63D
Enclosure	Totally Enclosed Fan Cooled	Overload Protector	No
Ambient Temperature	40 °C	Drive End Bearing Size	6202
Opp Drive End Bearing Size	6202	UL	Recognized
CSA	Y	CE	Y
IP Code	55		


Technical Specifications

Electrical Type	Squirrel Cage Inverter Rated	Starting Method	Line Or Inverter
Poles	2	Rotation	Reversible
Mounting	Round	Motor Orientation	HORIZONTAL
Drive End Bearing	BALL	Opp Drive End Bearing	BALL
Frame Material	Aluminum	Shaft Type	IEC
Overall Length	8.54 in	Frame Length	4.44 in
Shaft Diameter	0.437 in	Shaft Extension	0.9 in
Assembly/Box Mounting	F3		
Outline Drawing	16986700	Connection Diagram	005465.01

This is an uncontrolled document once printed or downloaded and is subject to change without notice. Date Created: 10/15/2018

169867-00

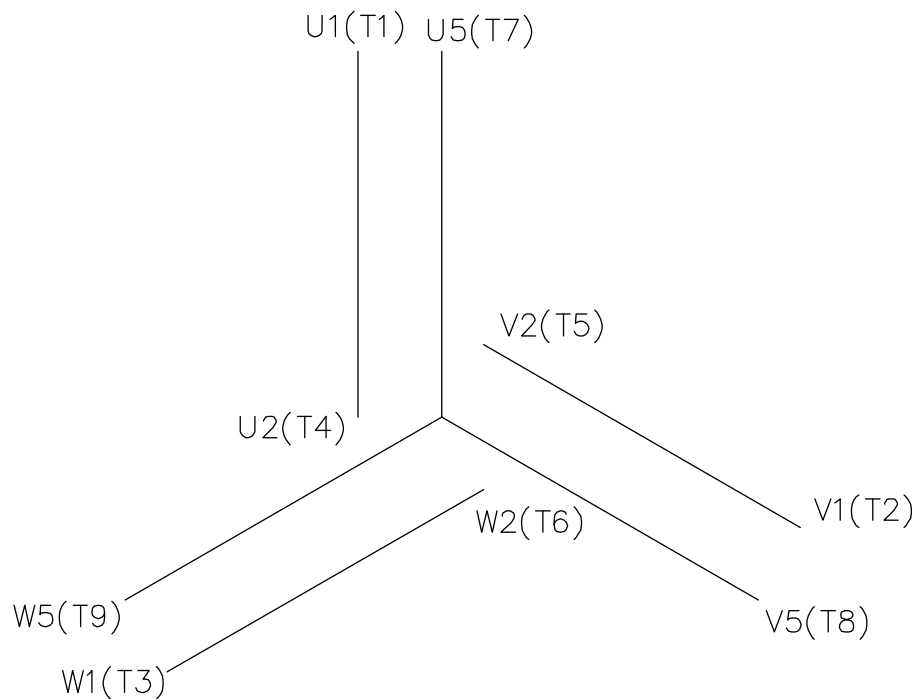


		TOLERANCES UNLESS SPECIFIED			ELECTRIC MOTORS GEARMOTORS AND DRIVES	DRAWN ADS 01/31/02
		DEC.	METRIC			CHK
		.X	± 2.5			APPD
		.XX	$\pm .76$			SCALE 1=1.25
		.XXX	$\pm .127$			REF OSVC-300-570
		.XXXX	$\pm .0127$	MAT'L ALUMINUM	FMF LEESON STOCK	
NO.	REVISION	BY & DATE	CHK	ANG $\pm 1/2^\circ$	FINISH	PREV
THIS DRAWING IN DESIGN AND DETAIL IS OUR PROPERTY AND MUST NOT BE USED EXCEPT IN CONNECTION WITH OUR WORK ALL RIGHTS OF DESIGN AND INVENTION ARE RESERVED THIS IS AN ELECTRONICALLY GENERATED DOCUMENT - DO NOT SCALE THIS PRINT			RFP	CAD FILE	16986700	SIZE B
			DIST	DRAWING NO.		169867-00
						REV.

```
ERROR: syntaxerror  
OFFENDING COMMAND: --nostringval--
```

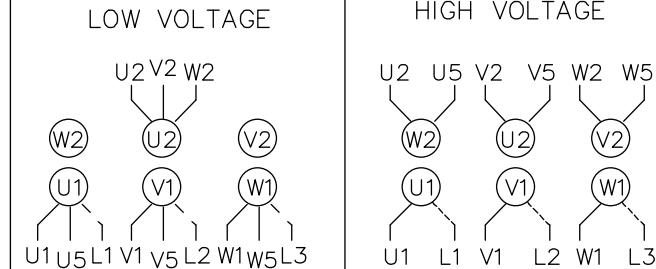
```
STACK :
```

```
/CB  
-dictionary-  
/Pscript_WinNT_Compact  
-dictionary-
```



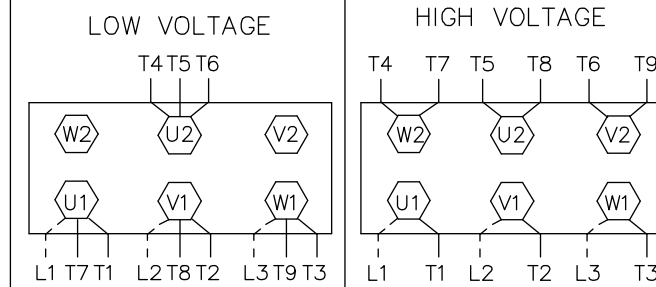
REF. DECAL (IEC) 080644
REF. DECAL (NEMA) 080446

IEC MARKINGS



LINE VOLTAGE	L1	L2	L3	JOIN		
TERMINAL	U1	V1	W1	W2	U2	V2
LOW	U1,U5	V1,V5	W1,W5	---	U2,V2,W2	---
HIGH	U1	V1	W1	U2,U5	V2,V5	W2,W5

NEMA MARKINGS



LINE VOLTAGE	L1	L2	L3	JOIN		
TERMINAL	U1	V1	W1	W2	U2	V2
LOW	T1, T7	T2, T8	T3, T9	---	T4,T5,T6	---
HIGH	T1	T2	T3	T4, T7	T5, T8	T6, T9

TOLERANCES UNLESS SPECIFIED	
DEC.	INCHES
.X	±.1
.XX	±.01
.XXX	±.005
.XXXX	±.0005
ANG	±1/2'



ELECTRIC MOTORS
GEARMOTORS
AND DRIVES

DRAWN	MGM 12/3/02
CHK	
APPD	
SCALE	1=1
REF	00537703
FMF	
PREV	

NO.	REVISION	BY & DATE	CHK	ANG
01	NEMA LV CONNECTION WAS INCORRECT	RLW 8/4/03		

TITLE	EXTERNAL WIRING DIAGRAM 3 PHASE - DUAL VOLTAGE - W/TERM BLOCK
MAT'L.	IEC/NEMA MARKINGS
FINISH	THERMAL TRANSFER

THIS DRAWING IN DESIGN AND DETAIL IS OUR PROPERTY AND MUST NOT BE USED EXCEPT IN CONNECTION WITH OUR WORK ALL RIGHTS OF DESIGN AND INVENTION ARE RESERVED THIS IS AN ELECTRONICALLY GENERATED DOCUMENT - DO NOT SCALE THIS PRINT		RFP	CAD FILE	00546501	SIZE	DRAWING NO.	REV.
		DIST			A	005465-01	01



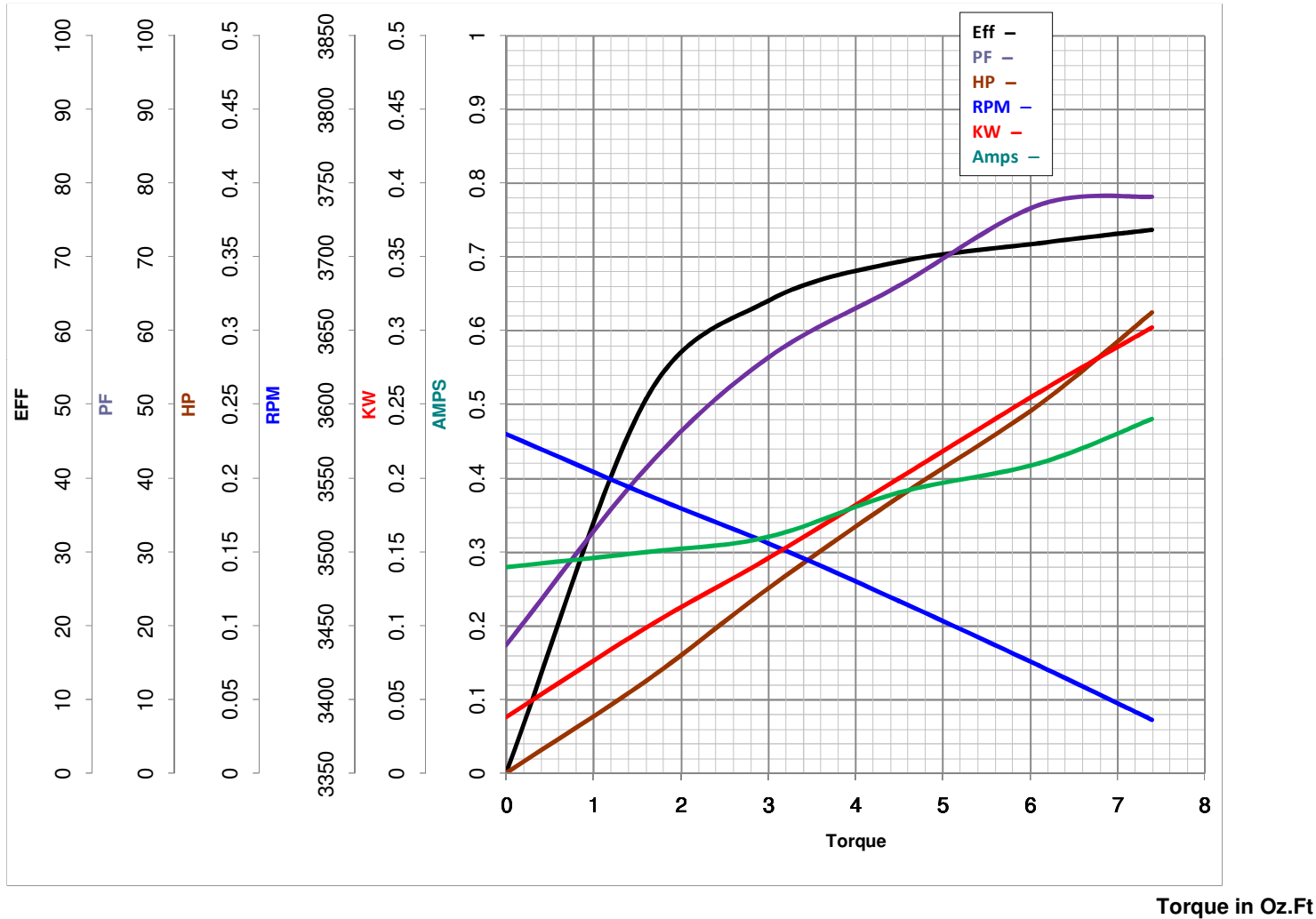
LEESON ELECTRIC CORPORATION
TYPICAL PERFORMANCE CURVE for AC MOTOR

Model No 192014.00

Catalog No 192014.00

Curve at 460 Volts HP 0.25&0.25 PHASE 3
60 HZ
0.25 HP VOLTS 230/460&200/400

HZ 60&50 RPM 3430&2760



FL TORQUE 6.1 Oz.Ft
BD TORQUE 21.0 Oz.Ft
LR TORQUE 18 Oz.Ft

FL AMPS 84/42
PU TORQUE 16.0 Oz.Ft
LR AMPS 2.55

WINDING QT6321-3

Date 5/22/2018