

PRODUCT INFORMATION PACKET



Model No: C71T11FZ1C

Catalog No: 192012.00

..1/4HP-.18KW..1120/900RPM.71.IP55.230/460V.3PH.60/50HZ.CONT.40C.1.15SF.B3.C71T11FZ1C.....IEC

Metric.NOT.....

TEFC



Regal and Leeson are trademarks of Regal Beloit Corporation or one of its affiliated companies.

©2018 Regal Beloit Corporation, All Rights Reserved. MC017097E





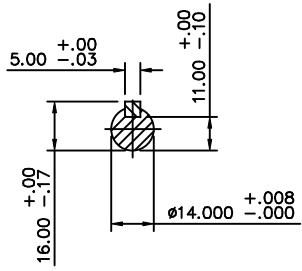
Nameplate Specifications

Output HP	0.25 Hp	Output KW	0.19 kW
Frequency	60 Hz	Voltage	230/460 V
Current	1.2/0.58 A	Speed	1120 rpm
Service Factor	1.15	Phase	3
Efficiency	64 %	Duty	Continuous
Insulation Class	F	Design Code	B
KVA Code	G	Frame	D71
Enclosure	Totally Enclosed Fan Cooled	Overload Protector	No
Ambient Temperature	40 °C	Drive End Bearing Size	6203
Opp Drive End Bearing Size	6203	UL	Recognized
CSA	Y	CE	Y
IP Code	55		

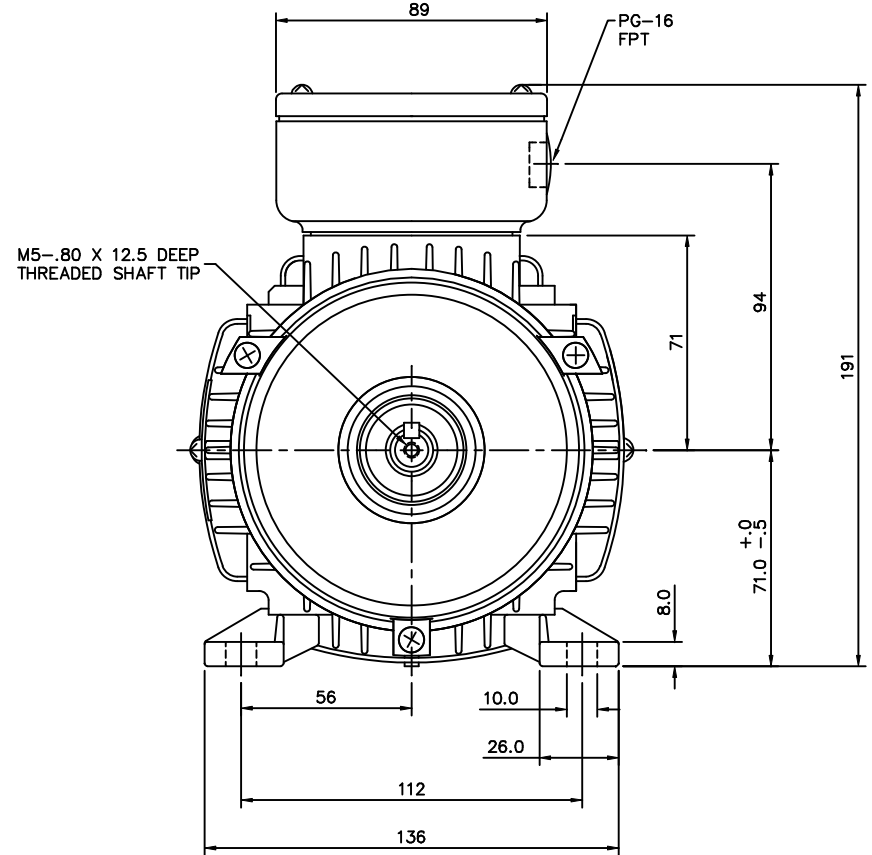
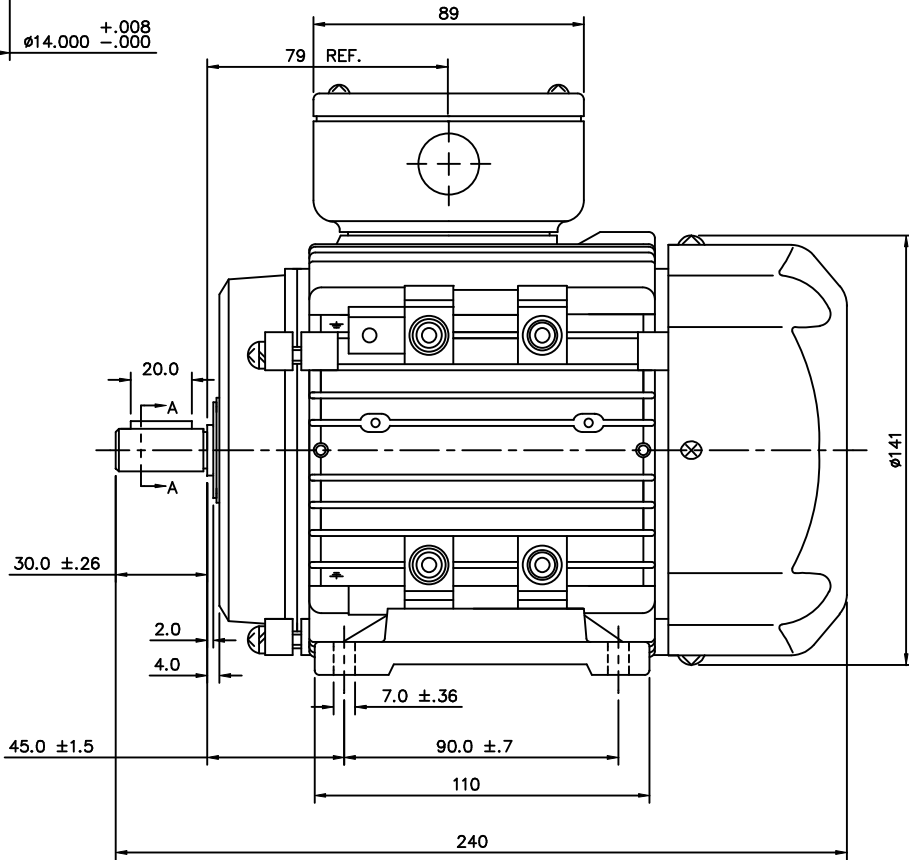
Technical Specifications

Electrical Type	Squirrel Cage Inverter Rated	Starting Method	Line Or Inverter
Poles	6	Rotation	Reversible
Mounting	B3	Motor Orientation	HORIZONTAL
Drive End Bearing	BALL	Opp Drive End Bearing	BALL
Frame Material	Aluminum	Shaft Type	IEC
Overall Length	9.44 in	Frame Length	4.68 in
Shaft Diameter	0.562 in	Shaft Extension	1.18 in
Assembly/Box Mounting	F3		
Outline Drawing	16986000	Connection Diagram	005465.01

This is an uncontrolled document once printed or downloaded and is subject to change without notice. Date Created: 10/15/2018

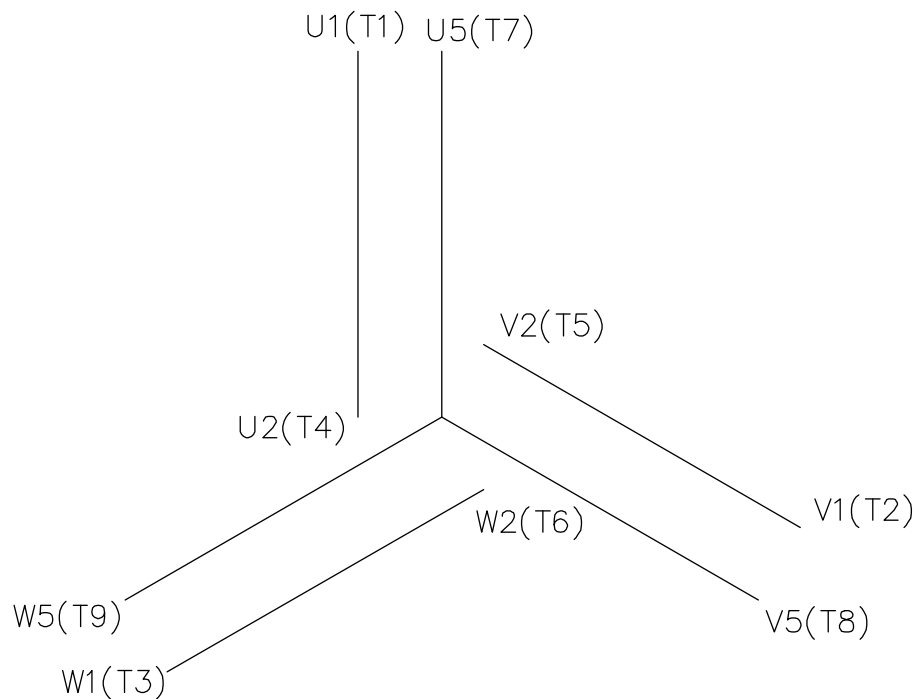


SECTION "A-A"



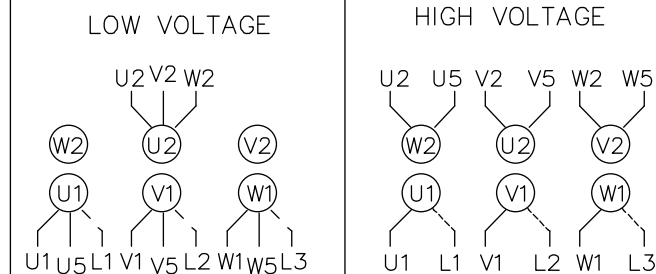
		TOLERANCES UNLESS SPECIFIED		LEESON	ELECTRIC MOTORS GEARMOTORS AND DRIVES	DRAWN	ADS			
		DEC.	METRIC			CHK				
		.X	±			APPD				
		.XX	±	TITLE	METRIC MOTOR OUTLINE, IMB3 IEC-71 FRAME RIGID	SCALE	1=1.6			
		.XXX	±			REF	OSVC-300-553			
		.XXXX	±	MAT'L	ALUMINUM	FMF	LEESON STOCK			
NO.	REVISION	BY & DATE	CHK	ANG	±	FINISH	PREV			
THIS DRAWING IN DESIGN AND DETAIL IS OUR PROPERTY AND MUST NOT BE USED EXCEPT IN CONNECTION WITH OUR WORK ALL RIGHTS OF DESIGN AND INVENTION ARE RESERVED THIS IS AN ELECTRONICALLY GENERATED DOCUMENT - DO NOT SCALE THIS PRINT				RFP		CAD FILE	16986000	SIZE	DRAWING NO.	REV.
			DIST					B	169860-00	

ERROR: undefined
OFFENDING COMMAND: Pscript_WinNT_Co
STACK :



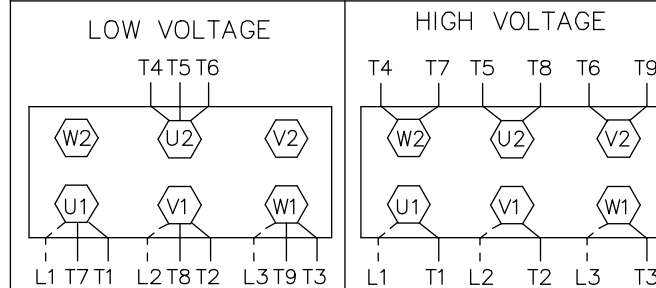
REF. DECAL (IEC) 080644
REF. DECAL (NEMA) 080446

IEC MARKINGS



LINE VOLTAGE	L1	L2	L3	JOIN		
TERMINAL	U1	V1	W1	W2	U2	V2
LOW	U1,U5	V1,V5	W1,W5	---	U2,V2,W2	---
HIGH	U1	V1	W1	U2,U5	V2,V5	W2,W5

NEMA MARKINGS



LINE VOLTAGE	L1	L2	L3	JOIN		
TERMINAL	U1	V1	W1	W2	U2	V2
LOW	T1, T7	T2, T8	T3, T9	---	T4,T5,T6	---
HIGH	T1	T2	T3	T4, T7	T5, T8	T6, T9

TOLERANCES UNLESS SPECIFIED

DEC.	INCHES
.X	±.1
.XX	±.01
.XXX	±.005
.XXXX	±.0005
ANG	±1/2'



ELECTRIC MOTORS
GEARMOTORS
AND DRIVES

DRAWN MGM 12/3/02

CHK

APPD

SCALE 1=1

REF 00537703

FMF

PREV

TITLE EXTERNAL WIRING DIAGRAM
3 PHASE - DUAL VOLTAGE - W/TERM BLOCK

MAT'L. IEC/NEMA MARKINGS

FINISH THERMAL TRANSFER

NO.	REVISION	BY & DATE	CHK	ANG
01	NEMA LV CONNECTION WAS INCORRECT	RLW 8/4/03		

CAD FILE	00546501	SIZE	DRAWING NO.	REV.
DIST		A	005465-01	01

THIS DRAWING IN DESIGN AND DETAIL IS OUR PROPERTY AND MUST NOT BE USED EXCEPT IN CONNECTION WITH OUR WORK ALL RIGHTS OF DESIGN AND INVENTION ARE RESERVED THIS IS AN ELECTRONICALLY GENERATED DOCUMENT - DO NOT SCALE THIS PRINT



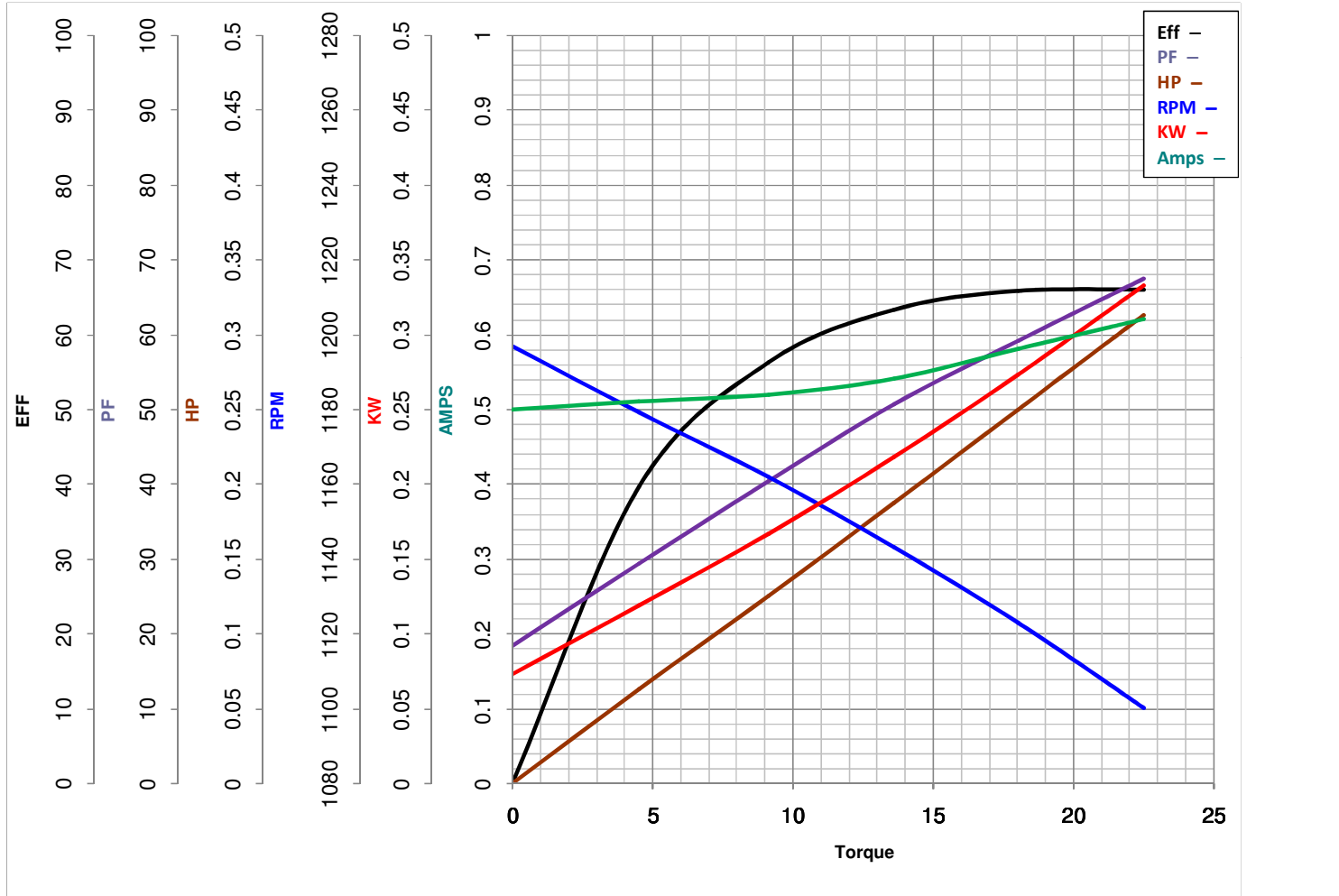
LEESON ELECTRIC CORPORATION
 TYPICAL PERFORMANCE CURVE for AC MOTOR

Model No 192012.00

Catalog No 192012.00

Curve at 460 Volts HP 0.25&0.25 PHASE 3
60 HZ
0.25 HP VOLTS 230/460&200/400

HZ 60&50 RPM 1120&900



Torque in Oz.Ft

FL TORQUE 18 Oz.Ft
 BD TORQUE 46.8 Oz.Ft
 LR TORQUE 40.5 Oz.Ft

FL AMPS 1.16/.58
 PU TORQUE 38.7 Oz.Ft
 LR AMPS 1.85

WINDING QT7161-3

Date 6/5/2018