

PRODUCT INFORMATION PACKET



Model No: C63T34FZ1C

Catalog No: 192010.00

1/4HP-.18KW..3430/2760RPM.63.IP55.230/460V.3PH.60/50HZ.CONT.40C.1.15SF.B3.C63T34FZ1C.....IEC

Metric.NOT.....

TEFC



Regal and Leeson are trademarks of Regal Beloit Corporation or one of its affiliated companies.

©2018 Regal Beloit Corporation, All Rights Reserved. MC017097E





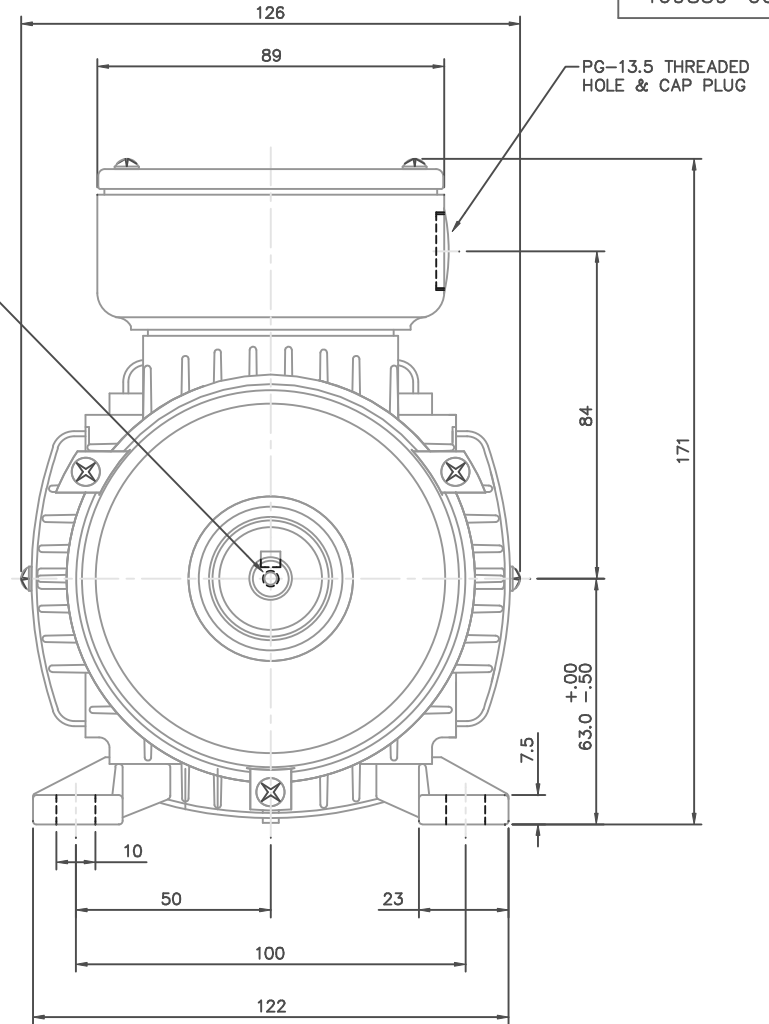
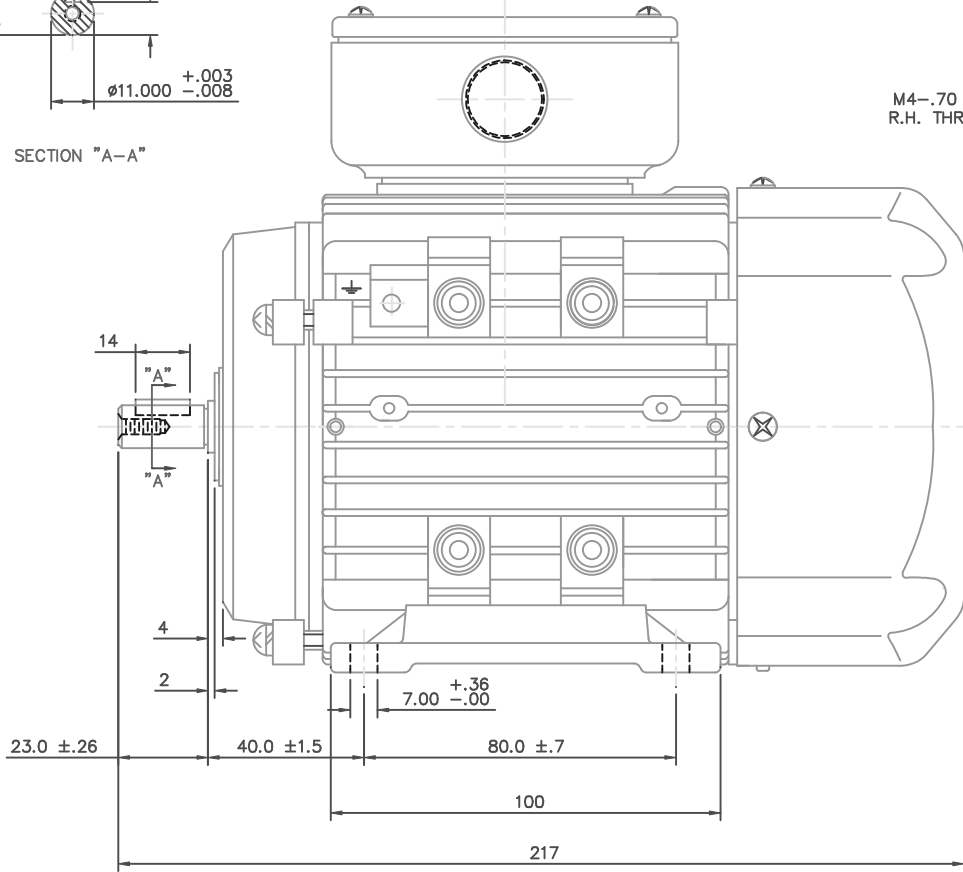
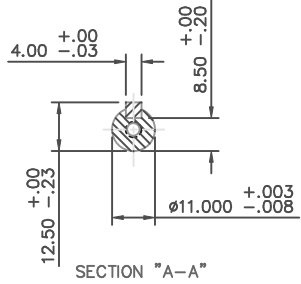
Nameplate Specifications

| | | | |
|----------------------------|-----------------------------|------------------------|------------|
| Output HP | 0.25 Hp | Output KW | 0.19 kW |
| Frequency | 60 Hz | Voltage | 230/460 V |
| Current | 0.84/0.42 A | Speed | 3430 rpm |
| Service Factor | 1.15 | Phase | 3 |
| Efficiency | 72 % | Duty | Continuous |
| Insulation Class | F | Design Code | B |
| KVA Code | J | Frame | D63 |
| Enclosure | Totally Enclosed Fan Cooled | Overload Protector | No |
| Ambient Temperature | 40 °C | Drive End Bearing Size | 6202 |
| Opp Drive End Bearing Size | 6202 | UL | Recognized |
| CSA | Y | CE | Y |
| IP Code | 55 | | |

Technical Specifications

| | | | |
|-----------------------|------------------------------|-----------------------|------------------|
| Electrical Type | Squirrel Cage Inverter Rated | Starting Method | Line Or Inverter |
| Poles | 2 | Rotation | Reversible |
| Mounting | B3 | Motor Orientation | HORIZONTAL |
| Drive End Bearing | BALL | Opp Drive End Bearing | BALL |
| Frame Material | Aluminum | Shaft Type | IEC |
| Overall Length | 8.54 in | Frame Length | 4.44 in |
| Shaft Diameter | 0.437 in | Shaft Extension | 0.9 in |
| Assembly/Box Mounting | F3 | | |
| Outline Drawing | 16985900 | Connection Diagram | 005465.01 |

This is an uncontrolled document once printed or downloaded and is subject to change without notice. Date Created: 10/15/2018



| | | TOLERANCES UNLESS SPECIFIED | | LEESON | ELECTRIC MOTORS GEARMOTORS AND DRIVES | DRAWN | | | |
|--|----------|-----------------------------|--------|--------|--|------------------|------|-------------|------|
| | | DEC. | METRIC | | | ADS 01/18/02 | | | |
| | | .X | ±2.5 | | | CHK | | | |
| | | .XX | ±.76 | TITLE | METRIC MOTOR OUTLINE, IMB3 IEC-63 FRAME RIGID MOUNT | APPD | | | |
| | | .XXX | ±.127 | MAT'L | ALUMINUM | SCALE 1=1.25 | | | |
| | | .XXXX | ±.0127 | FINISH | | REF OSVC-300-554 | | | |
| NO. | REVISION | BY & DATE | CHK | ANG | ±1/2" | FINISH | PREV | | |
| THIS DRAWING IN DESIGN AND DETAIL IS OUR PROPERTY AND MUST NOT BE USED EXCEPT IN CONNECTION WITH OUR WORK. ALL RIGHTS OF DESIGN AND INVENTION ARE RESERVED. THIS IS AN ELECTRONICALLY GENERATED DOCUMENT - DO NOT SCALE THIS PRINT | | | | RFP | CAD FILE | 16985900 | SIZE | DRAWING NO. | REV. |
| | | | | | | | B | 169859-00 | |



REF. DECAL (IEC) 080644
REF. DECAL (NEMA) 080446

IEC MARKINGS




| LINE VOLTAGE | L1 | L2 | L3 | JOIN | | |
|--------------|-------|-------|-------|-------|----------|-------|
| TERMINAL | U1 | V1 | W1 | W2 | U2 | V2 |
| LOW | U1,U5 | V1,V5 | W1,W5 | --- | U2,V2,W2 | --- |
| HIGH | U1 | V1 | W1 | U2,U5 | V2,V5 | W2,W5 |

NEMA MARKINGS



| LINE VOLTAGE | L1 | L2 | L3 | JOIN | | |
|--------------|--------|--------|--------|--------|----------|--------|
| TERMINAL | U1 | V1 | W1 | W2 | U2 | V2 |
| LOW | T1, T7 | T2, T8 | T3, T9 | --- | T4,T5,T6 | --- |
| HIGH | T1 | T2 | T3 | T4, T7 | T5, T8 | T6, T9 |

| | | TOLERANCES UNLESS SPECIFIED | |  ELECTRIC MOTORS GEARMOTORS AND DRIVES | DRAWN | | |
|--|----------------------------------|-----------------------------|--------|---|-------------|---|--------------|
| | | DEC. | INCHES | | MGM 12/3/02 | | |
| | | .X | ±.1 | | CHK | | |
| | | .XX | ±.01 | | APPD | | |
| | | .XXX | ±.005 | | SCALE 1=1 | | |
| 01 | NEMA LV CONNECTION WAS INCORRECT | RLW | 8/4/03 | .XXXX | ±.0005 | TITLE EXTERNAL WIRING DIAGRAM 3 PHASE - DUAL VOLTAGE - W/TERM BLOCK | REF 00537703 |
| NO. | REVISION | BY & DATE | CHK | ANG | ±1/2' | MAT'L. IEC/NEMA MARKINGS | FMF |
| | | | RFP | CAD FILE 00546501 | | FINISH THERMAL TRANSFER | PREV |
| THIS DRAWING IN DESIGN AND DETAIL IS OUR PROPERTY AND MUST NOT BE USED EXCEPT IN CONNECTION WITH OUR WORK ALL RIGHTS OF DESIGN AND INVENTION ARE RESERVED THIS IS AN ELECTRONICALLY GENERATED DOCUMENT - DO NOT SCALE THIS PRINT | | | DIST | | SIZE A | DRAWING NO. 005465-01 | REV. 01 |



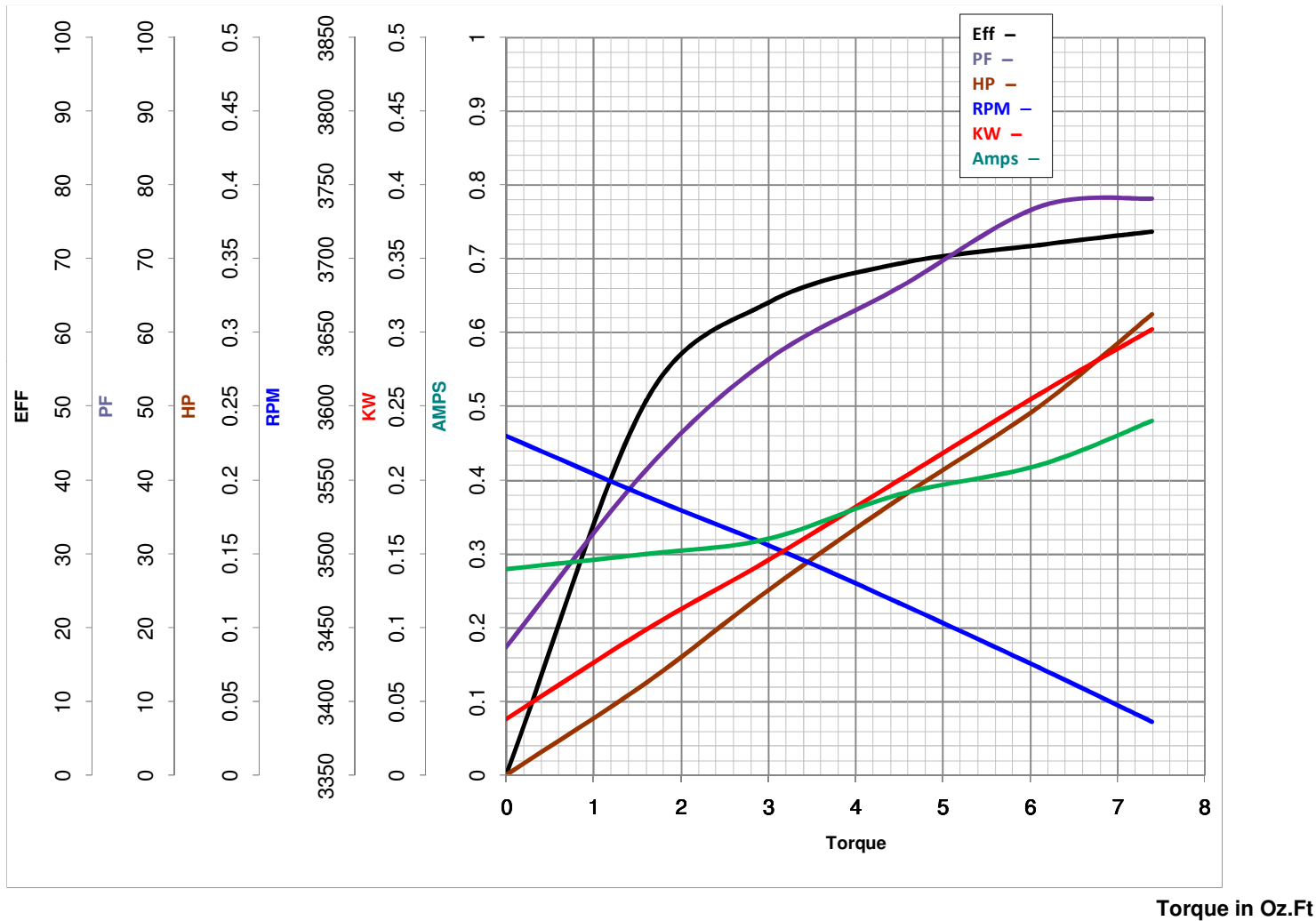
LEESON ELECTRIC CORPORATION
 TYPICAL PERFORMANCE CURVE for AC MOTOR

Model No 192010.00

Catalog No 192010.00

Curve at 460 Volts HP 0.25&0.25 PHASE 3
60 HZ
0.25 HP VOLTS 230/460&200/400

HZ 60&50 RPM 3430&2760



FL TORQUE 6.1 Oz.Ft
 BD TORQUE 21.0 Oz.Ft
 LR TORQUE 18 Oz.Ft

FL AMPS 84.42
 PU TORQUE 0.0 Oz.Ft
 LR AMPS 2.55

WINDING QT6321-3

Date 5/21/2018