

PRODUCT INFORMATION PACKET



Model No: C6T17WC39A
Catalog No: 191507.00
1/2 HP 1800 208-230/460 TEFC 3PH 60HZ SS C FACE NO BASE
Paint Free



Regal and Leeson are trademarks of Regal Beloit Corporation or one of its affiliated companies.
©2018 Regal Beloit Corporation, All Rights Reserved. MC017097E





Nameplate Specifications

Output HP	0.50 Hp	Output KW	0.37 kW
Frequency	60 Hz	Voltage	208-230/460 V
Current	1.9-2.0/1.0 A	Speed	1740 rpm
Service Factor	1.15	Phase	3
Efficiency	72 %	Duty	Continuous
Insulation Class	F	Design Code	B
KVA Code	L	Frame	56C
Enclosure	Totally Enclosed Fan Cooled	Overload Protector	No
Ambient Temperature	40 °C	Drive End Bearing Size	6205
Opp Drive End Bearing Size	6205	UL	Recognized
CSA	Y	CE	N
IP Code	43		

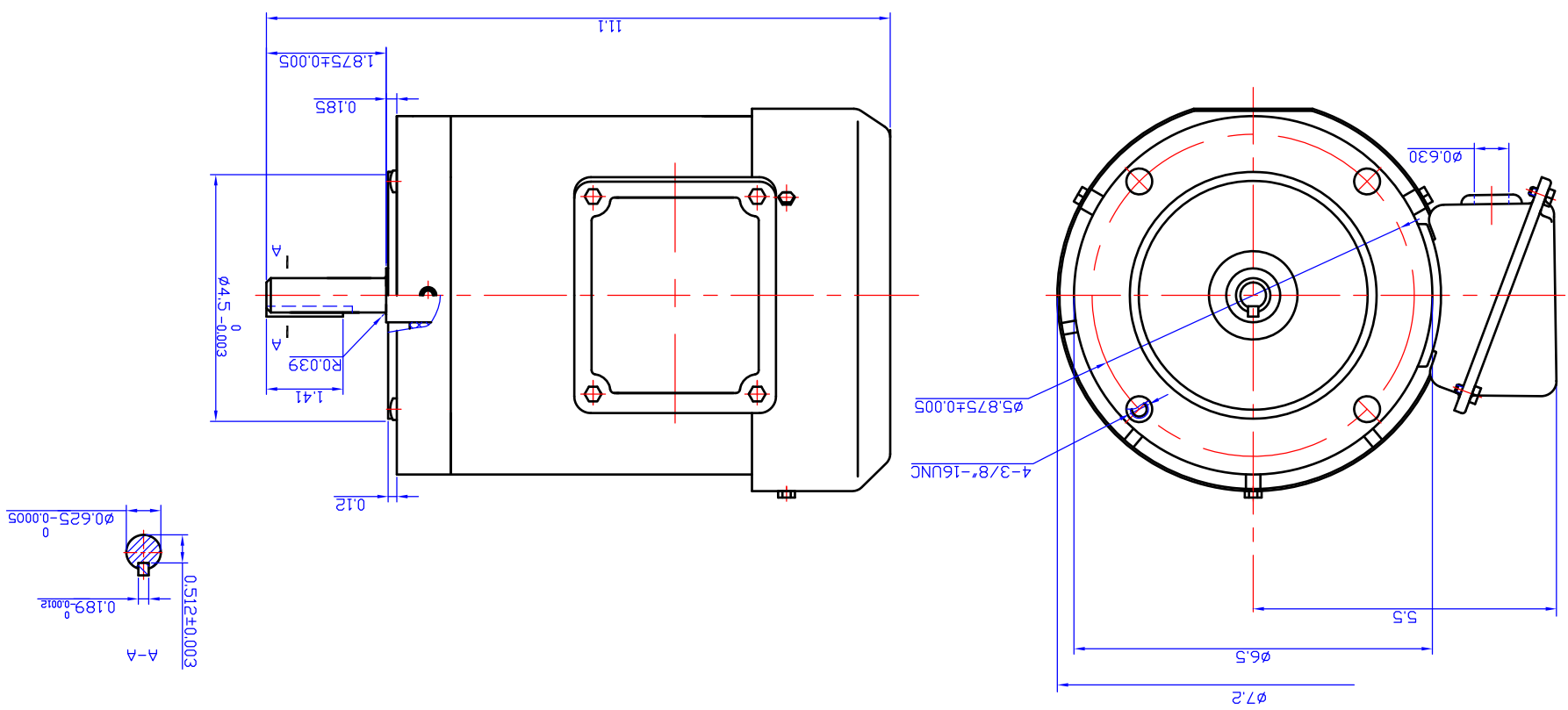
Technical Specifications

Electrical Type	Squirrel Cage Inverter Rated	Starting Method	Line Or Inverter
Poles	4	Rotation	Reversible
Mounting	Round	Motor Orientation	HORIZONTAL
Drive End Bearing	BALL	Opp Drive End Bearing	BALL
Frame Material	Stainless Steel	Shaft Type	NEMA 56
Overall Length	11.10 in	Frame Length	5.49 in
Shaft Diameter	0.625 in	Shaft Extension	1.87 in
Assembly/Box Mounting	F1 ONLY		
Outline Drawing	OL19150700	Connection Diagram	005010.01

This is an uncontrolled document once printed or downloaded and is subject to change without notice. Date Created: 10/15/2018

DR BY:		APPD:		FIRST ANGLE PROJECTION		CONFIDENTIAL: THIS DRAWING AND ITS INFORMATION ARE THE EXCLUSIVE PROPERTY OF GW ELECTRIC (SHANGHAI) CORPORATION AND ARE NOT TO BE DISCLOSED, DUPLICATED, DISTRIBUTED OR OTHERWISE USED WITHOUT THE WRITTEN CONSENT OF GW ELECTRIC (SHANGHAI) CORPORATION. ALL RIGHTS RESERVED.	
DESCRIPTION		EDS DATE		VERSION		SCALE	
OUTLINE OF 191507.00		A3		DWG NO		SHEET	

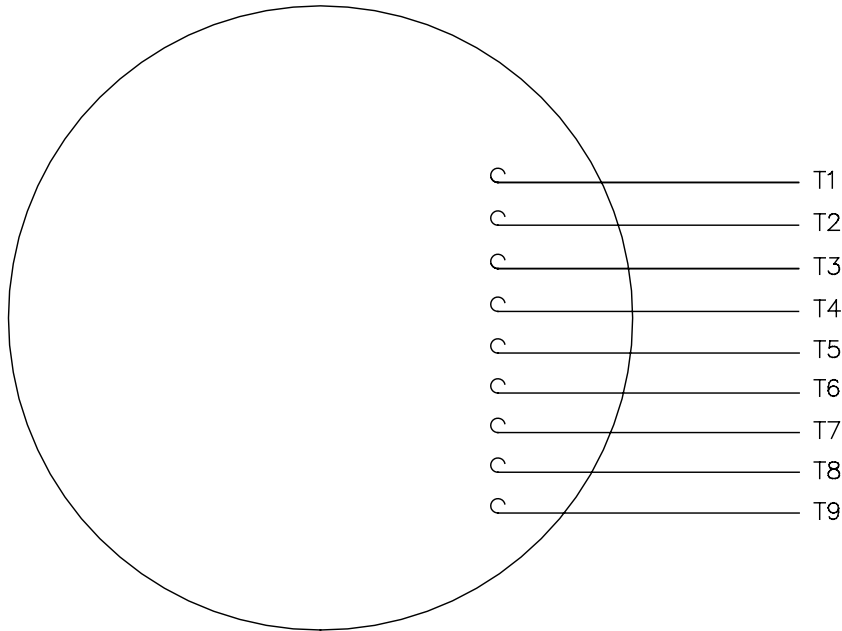
CAT.NO	191507	56C	3	4	1/2	60	230/460	1725	NONE
FRAME	PH	Pole	HP	HZ	Volt	RPM	thermal protector		



REV	ECO	REV BY	DATE	APPD	DATE
-----	-----	--------	------	------	------

005010-01

VIEW FROM OUTSIDE OF MOTOR AT SWITCH END.



VOLTAGE	L1	L2	L3	JOIN & INSULATE
HIGH	T1	T2	T3	(T4,T7) (T5,T8) (T6,T9)
LOW	T1,T7	T2,T8	T3,T9	T4,T5,T6

				TOLERANCES UNLESS SPECIFIED		REGAL ™ Regal Beloit America, Inc.		DRAWN RDW 04/12/02			
				DEC.	INCHES			CHK			
				.X	±.1			APPD			
				.XX	±.01			SCALE 1=1			
				.XXX	±.005	TITLE		EXTERNAL WIRING DIAGRAM 3 PHASE W/O PROTECTOR			
A	UPDATED TO REGAL LOGO	SAJ 06/26/15	AJY	.XXXX	±.0005	MAT'L.		DECAL - 004014			
NO.	REVISION	BY & DATE	CHK	ANG	±1/2"	FINISH		PREV			
THIS DRAWING IN DESIGN AND DETAIL IS OUR PROPERTY AND MUST NOT BE USED EXCEPT IN CONNECTION WITH OUR WORK ALL RIGHTS OF DESIGN AND INVENTION ARE RESERVED THIS IS AN ELECTRONICALLY GENERATED DOCUMENT - DO NOT SCALE THIS PRINT				RFP	04/12/02	CAD FILE		00501001	SIZE	DRAWING NO.	REV.
				DIST	BRF-NLV			A	005010-01	A	



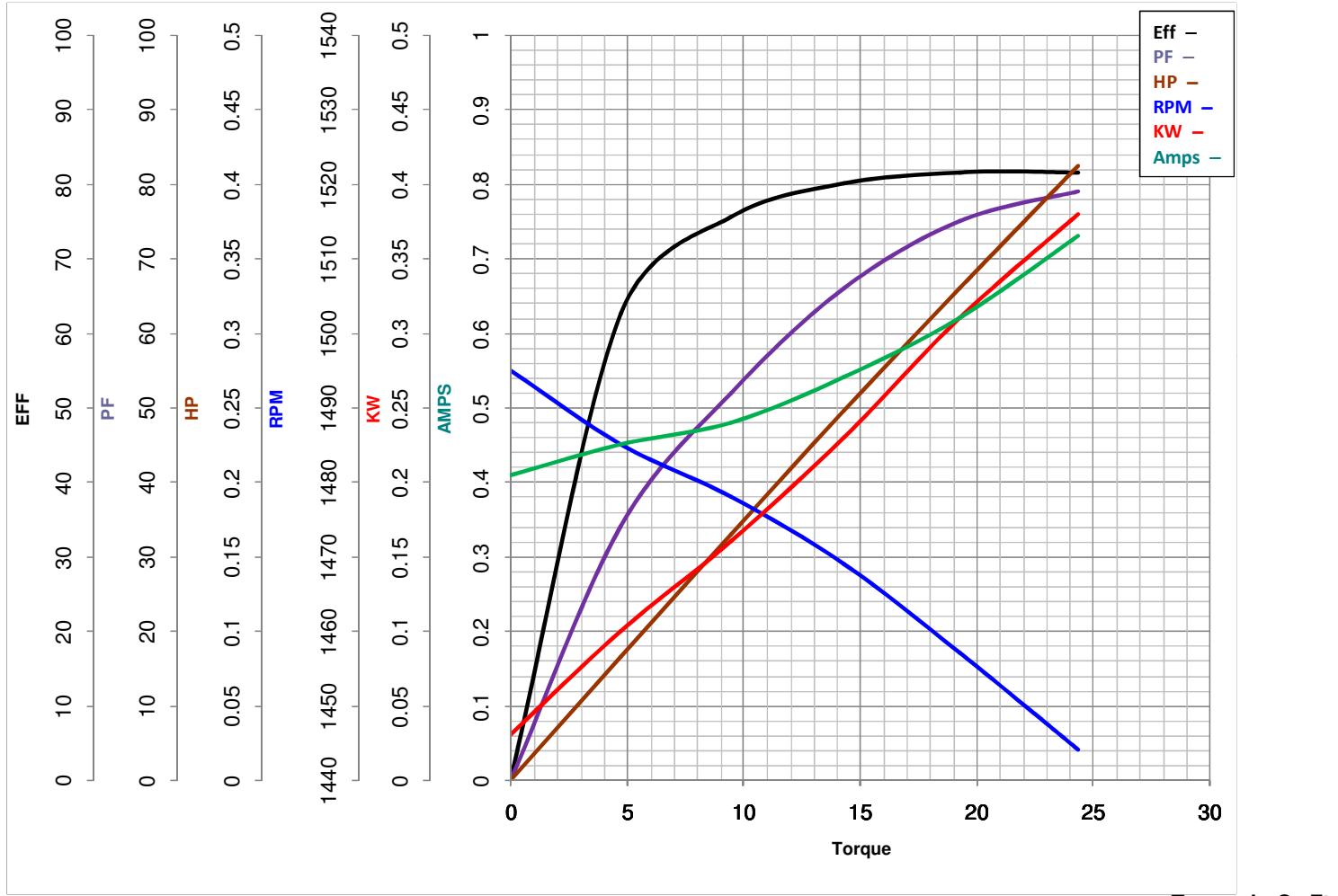
LEESON ELECTRIC CORPORATION
 TYPICAL PERFORMANCE CURVE for AC MOTOR

Model No 191507.00

Catalog No 191507.00

Curve at 380 Volts HP 0.5&0.33 PHASE 3
50 HZ
0.33 HP VOLTS 208-230/460&190/380

HZ 60&50 RPM 1740&1440



FL TORQUE	<u>19.24</u> Oz.Ft	FL AMPS	<u>1.9-2.0/1.0</u>
BD TORQUE	<u>61.1</u> Oz.Ft	PU TORQUE	<u>42.3</u> Oz.Ft
LR TORQUE	<u>51.45</u> Oz.Ft	LR AMPS	<u>4.53</u>
WINDING	QT63423-3	Date	5/23/2018