

PRODUCT INFORMATION PACKET



Model No: C6C34WK19A
Catalog No: 191476.00
3/4HP..3600RPM.56.TEFC..V.1PH.60HZ..NOT.40C..RIGID C..CA
Paint Free



Regal and Leeson are trademarks of Regal Beloit Corporation or one of its affiliated companies.
©2018 Regal Beloit Corporation, All Rights Reserved. MC017097E





Nameplate Specifications

Output HP	0.75 Hp	Output KW	0.56 kW
Frequency	60 Hz	Voltage	115/230 V
Current	9.2/4.6 A	Speed	3450 rpm
Service Factor	1.15	Phase	1
Efficiency	70 %	Duty	Continuous
Insulation Class	F	Design Code	N
KVA Code	J	Frame	56C
Enclosure	Totally Enclosed Fan Cooled	Overload Protector	No
Ambient Temperature	40 °C	Drive End Bearing Size	6203
Opp Drive End Bearing Size	6203	UL	Recognized
CSA	Y	CE	Y
IP Code	55		

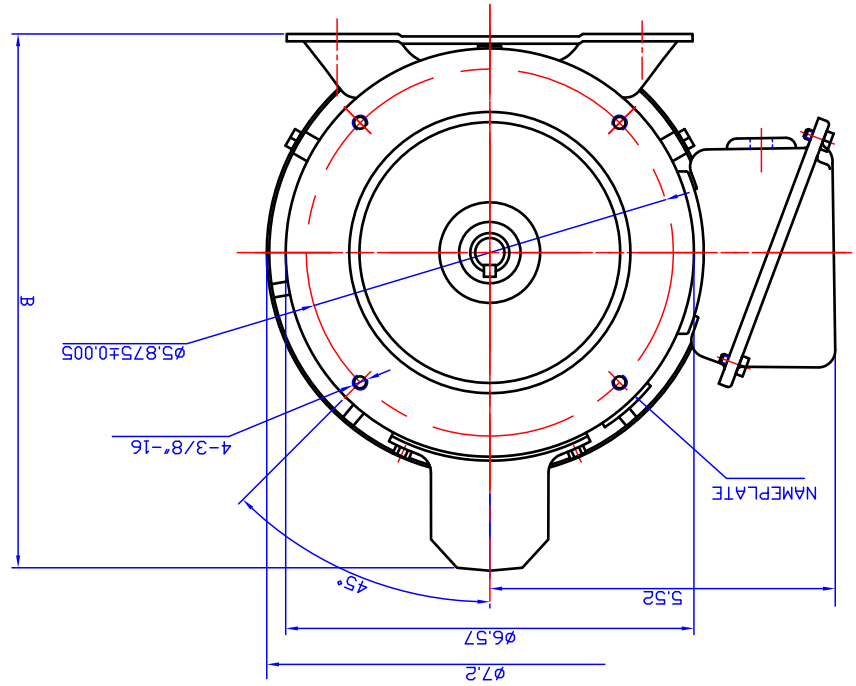
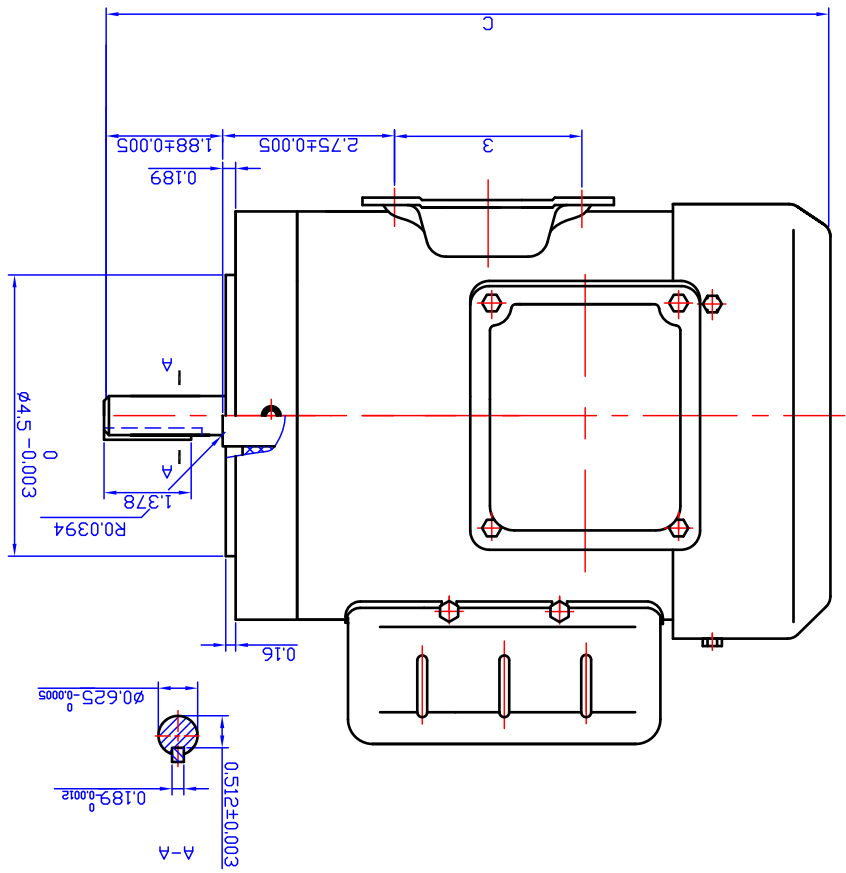
Technical Specifications

Electrical Type	Capacitor Start Induction Run	Starting Method	Across The Line
Poles	2	Rotation	Selective Counterclockwise
Mounting	Rigid base	Motor Orientation	HORIZONTAL
Drive End Bearing	BALL	Opp Drive End Bearing	BALL
Frame Material	Stainless Steel	Shaft Type	T
Overall Length	11.10 in	Frame Length	5.49 in
Shaft Diameter	0.625 in	Shaft Extension	1.88 in
Assembly/Box Mounting	F1 ONLY		
Outline Drawing	039078	Connection Diagram	005005.01

This is an uncontrolled document once printed or downloaded and is subject to change without notice. Date Created: 10/15/2018

SHEET		SCALE		-ALL RIGHTS RESERVED.	
039078		A3		USED WITHOUT THE WRITTEN CONSENT OF REGAL BELOIT CORPORATION	
DWG NO		SIZE		AND ARE NOT TO BE DISCLOSED, DUPLICATED, DISTRIBUTED OR OTHERWISE	
191476.00 191478.00 & 191480.00 OUTLINE		DESCRIPTION		CONFIDENTIAL: THIS DRAWING AND ITS INFORMATION ARE THE EXCLUSIVE	
REGAL BELOIT CORPORATION		EDS DATE		FIRST ANGLE PROJECTION	
APPD:		VERSION		⊕	
DR BY:					

CAT.NO	FRAME	PH	HP	Pole	RPM	Hz	Volt	thermal protector	C	B
191480.00	S6C	1	1.5	2	3450	60	115/230	None	12.3	9.1
191478.00	S6C	1	1	2	3450	60	115/230	None	11.8	8.9
191476.00	S6C	1	3/4	2	3450	60	115/230	None	11.1	8.5



REV	ECO	REV BY	DATE	APPD	DATE

VIEW FROM OUTSIDE OF MOTOR AT SWITCH END.



LINE LEADS



	ROTATION FACING LEAD END	L1	L2	JOIN
HIGH VOLT	C.C.W.	T1	T4, T5	T2, T3, T8
	C.W.	T1	T4, T8	T2, T3, T5
LOW VOLT	C.C.W.	T1, T3, T8	T2, T4, T5	-----
	C.W.	T1, T3, T5	T2, T4, T8	-----

RBC PROPRIETARY AND CONFIDENTIAL INFORMATION
 This document is the property of REGAL BELOIT CORPORATION ("RBC") including its subsidiaries and divisions and contains proprietary information of RBC. This document is loaned on the express condition that neither it nor the information contained therein shall be disclosed to others without the express written consent of RBC, and that the information shall be used by the recipient only as approved expressly by RBC. This document shall be returned to RBC upon its request. This document may be subject to certain restrictions under U.S. export control laws and regulations.

--	REDRAWN IN SOLIDWORKS	VJB 02/16/11		TOLERANCES UNLESS SPECIFIED			ELECTRIC MOTORS GEARMOTORS AND DRIVES	DRAWN ADH 08/06/73	
27	UPDATED TO CURRENT STANDARDS	DBT 05/27/97		DEC	INCHES			CHK	
26	ADDED PAGE 32 (114787) & PAGE 33 (114788)	KAZ 12/20/95	PG	.X	±.1			APPR JCW 03/09/79	
25	ADDED PAGE 31	KAZ 04/19/95	DL	.XX	±.01	TITLE	EXTERNAL WIRING DIAGRAM	SCALE 1:1	
24	ADDED PAGES 29 & 30	KMM 03/30/95	DL	.XXX	±.005		TYPE "C" W/O PROTECTOR	REF FIG 2-23 C4A	
23	ADDED PAGE 28	KMM 01/27/95		.XXXX	±.0005	MAT'L	DECAL - 004012	FMF MGI-2.4B	
NO	REVISION	BY & DATE	CHK	ANG	±1/2°	FINISH		PAGE OF	
THIRD ANGLE PROJECTION					RFP	PREV	SIZE	DRAWING NO	REV
					NETWORK FILE NAME	00500501	A	005005-01	--