

# PRODUCT INFORMATION PACKET



Model No: C6T11NC42A

Catalog No: 191419.00

.5HP..1140/950RPM.56.TENV.208-230/460V.3PH.60/50HZ.CONT.NOT.40C.1.15/1.15SF.C FACE.GENERAL  
PURPOSE.C6T11NC42A

Paint Free



Regal and Leeson are trademarks of Regal Beloit Corporation or one of its affiliated companies.

©2018 Regal Beloit Corporation, All Rights Reserved. MC017097E





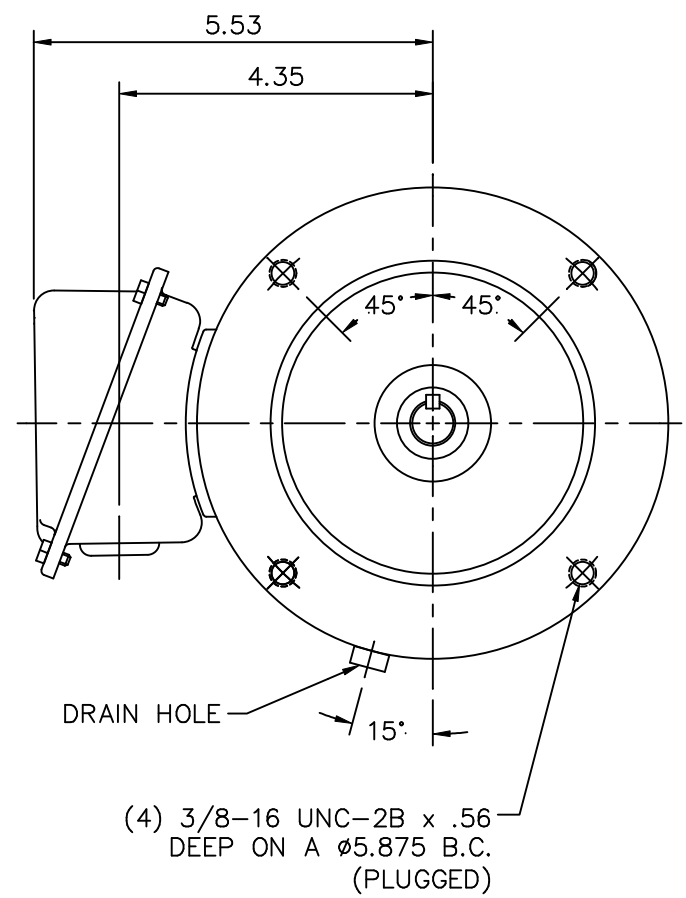
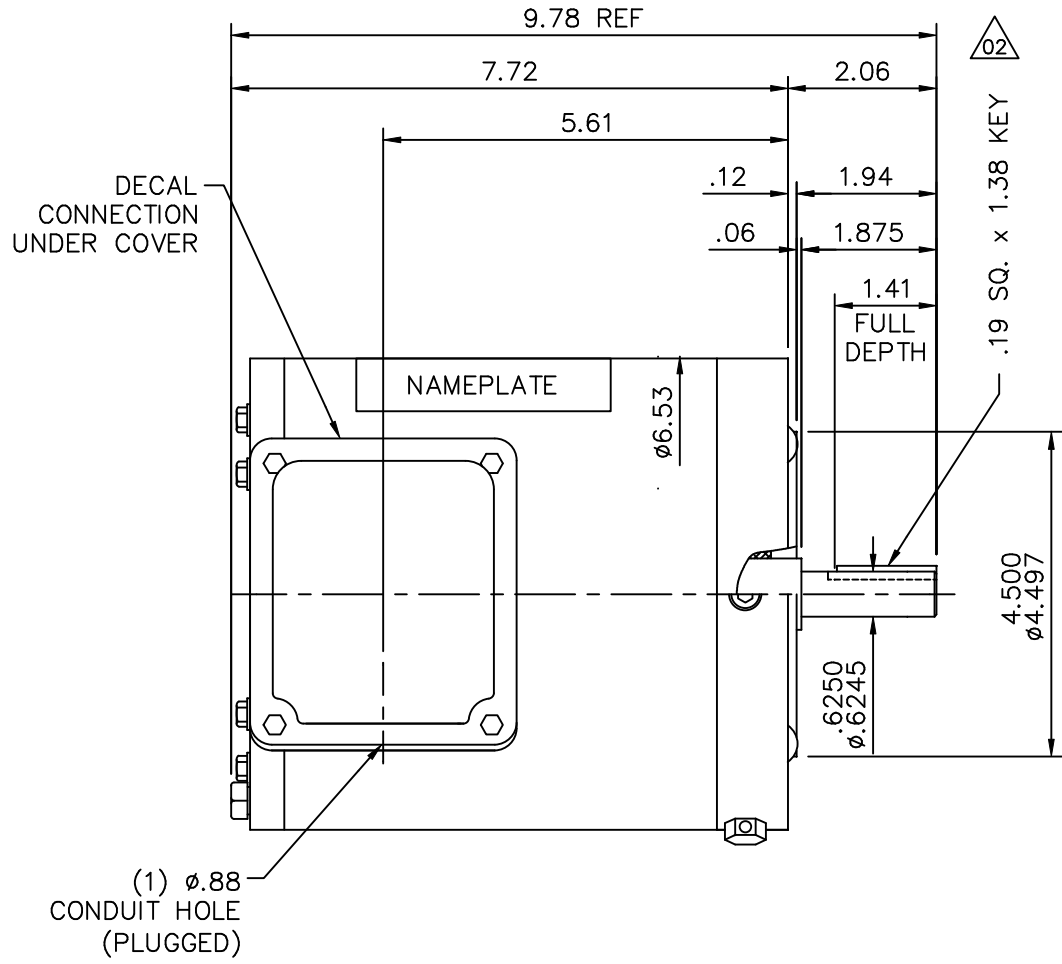
### Nameplate Specifications

Output HP	<b>0.50 Hp</b>	Output KW	<b>0.37 kW</b>
Frequency	<b>60 Hz</b>	Voltage	<b>208-230/460 V</b>
Current	<b>2.1-2.0/1.0 A</b>	Speed	<b>1140 rpm</b>
Service Factor	<b>1.15</b>	Phase	<b>3</b>
Efficiency	<b>80 %</b>	Duty	<b>Continuous</b>
Insulation Class	<b>F</b>	Design Code	<b>B</b>
KVA Code	<b>K</b>	Frame	<b>56C</b>
Enclosure	<b>Totally Enclosed Non Ventilated</b>	Overload Protector	<b>No</b>
Ambient Temperature	<b>40 °C</b>	Drive End Bearing Size	<b>6205</b>
Opp Drive End Bearing Size	<b>6205</b>	UL	<b>Recognized</b>
CSA	<b>Y</b>	CE	<b>Y</b>
IP Code	<b>55</b>		

### Technical Specifications


Electrical Type	<b>Squirrel Cage Induction Run</b>	Starting Method	<b>Across The Line</b>
Poles	<b>6</b>	Rotation	<b>Reversible</b>
Mounting	<b>Round</b>	Motor Orientation	<b>HORIZONTAL</b>
Drive End Bearing	<b>BALL</b>	Opp Drive End Bearing	<b>BALL</b>
Frame Material	<b>Stainless Steel</b>	Shaft Type	<b>NEMA 56</b>
Overall Length	<b>9.78 in</b>	Frame Length	<b>6.00 in</b>
Shaft Diameter	<b>0.625 in</b>	Shaft Extension	<b>1.88 in</b>
Assembly/Box Mounting	<b>F1 ONLY</b>		
Outline Drawing	<b>16993000</b>	Connection Diagram	<b>005010.01</b>

This is an uncontrolled document once printed or downloaded and is subject to change without notice. Date Created: 10/15/2018



MAXIMUM FACE RUNOUT TO BE .004 T.I.R.  
MAXIMUM PILOT ECCENTRICITY .004 T.I.R.  
PERMISSIBLE SHAFT RUNOUT .002 T.I.R.

GASKETS THROUGHOUT

				TOLERANCES UNLESS SPECIFIED		 ELECTRIC MOTORS GEARMOTORS AND DRIVES	DRAWN	MGM 04/10/03			
				DEC.	INCHES		CHK	RDW 04/10/03			
				.X	±.1		APPD				
				.XX	±.03	TITLE	OUTLINE - 56C FRAME	SCALE	3=8		
				.XXX	±.005		TENV - "C" FACE	REF			
02	UPDATED SHAFT EXT DIMS	RDW 4/26/04	SW	.XXX	±.005	MAT'L.		FMF			
01	CONDUIT HOLE WAS 1/2-14 NPT, DIM .157 WAS .12	SW 10/7/2003	RDW	.XXXX	±.0005	FINISH		PREV			
NO.	REVISION	BY & DATE	CHK	ANG	±1/2°	CAD FILE	16993000	SIZE	DRAWING NO.		
THIS DRAWING IN DESIGN AND DETAIL IS OUR PROPERTY AND MUST NOT BE USED EXCEPT IN CONNECTION WITH OUR WORK ALL RIGHTS OF DESIGN AND INVENTION ARE RESERVED THIS IS AN ELECTRONICALLY GENERATED DOCUMENT - DO NOT SCALE THIS PRINT						RFP		A	169930.00	REV.	01
						DIST					

005010-01

VIEW FROM OUTSIDE OF MOTOR AT SWITCH END.



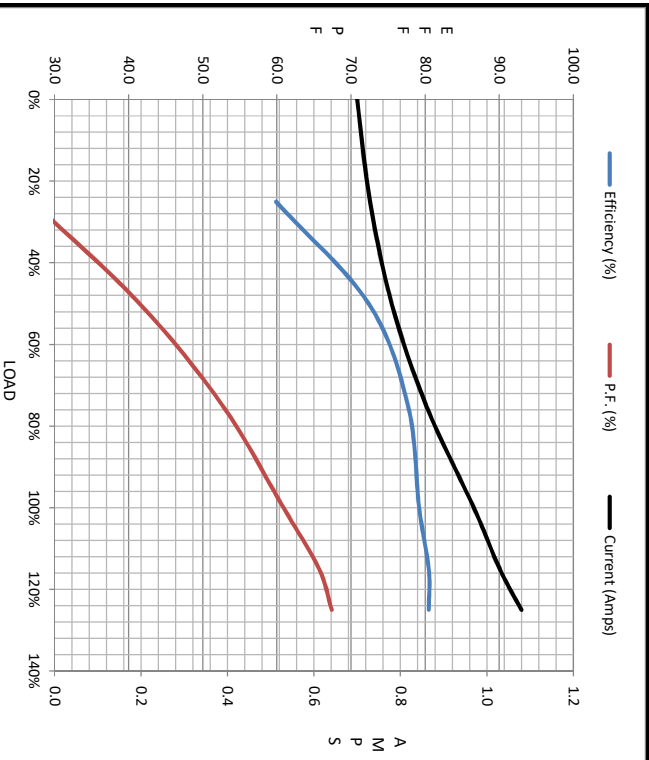
VOLTAGE	L1	L2	L3	JOIN & INSULATE
HIGH	T1	T2	T3	(T4,T7) (T5,T8) (T6,T9)
LOW	T1,T7	T2,T8	T3,T9	T4,T5,T6

				TOLERANCES UNLESS SPECIFIED		<b>Regal Beloit America, Inc.</b>		DRAWN RDW 04/12/02			
				DEC.	INCHES			CHK			
				.X	±.1			APPD			
				.XX	±.01			SCALE 1=1			
				.XXX	±.005	TITLE		REF FIG.2-51			
A	UPDATED TO REGAL LOGO	SAJ 06/26/15	AJY	.XXXX	±.0005	MAT'L.		FMF			
NO.	REVISION	BY & DATE	CHK	ANG	±1/2"	FINISH		PREV			
THIS DRAWING IN DESIGN AND DETAIL IS OUR PROPERTY AND MUST NOT BE USED EXCEPT IN CONNECTION WITH OUR WORK ALL RIGHTS OF DESIGN AND INVENTION ARE RESERVED THIS IS AN ELECTRONICALLY GENERATED DOCUMENT - DO NOT SCALE THIS PRINT				RFP	04/12/02	CAD FILE		00501001	SIZE	DRAWING NO.	REV.
				DIST		BRF-NLV		A	005010-01	A	



Motor Load Data						
Load	0%	25%	50%	75%	100%	LR
Current (Amps)	0.70	0.73	0.78	0.86	0.97	5.6
Torque (ft-lb)	0.00	142	285	430	578	1,429
RPM	1200	1190	1182	1174	1164	0
Efficiency (%)		59.9	72.4	77.7	79.2	80.5
P.F. (%)	107.6	27.0	41.5	52.7	60.9	67.4

Motor Speed Data						Information Block																										
	LR	Pull-Up	BD	Rated	Idle	HP	Sync. RPM	Frame	Enclosure	Construction	Voltage	Frequency	Design	LR Code letter	Service Factor	Temp Rise @ FL	Duty	Ambient	Elevation	Rotor/Shaft wk <sup>2</sup>	Ref Wdg	Sound Pressure @ 1M	VFD Rating	Outline Dwg	Conn. Diag	Additional Specifications:	R1	R2	X1	X2	Xm	
Speed (RPM)	0	100	864	1164	1200	0.5	1200	56	TENV	NA	208-230/460#190/380	60	B	K	1.15	76	CONT	40	1,000	0.08	Q16363 NR	54	NONE	16993000	005010.01		0.0000	0.0000	0.0000	0.0000	0.0000	
Current (Amps)	5.6	5.2	3.4	0.97	0.70																											
Torque (ft-lb)	1,429	1,421	2,128	578	0.00																											



EQUIV CKT (OHMS / PHASE)					
	R1	R2	X1	X2	Xm
	0.0000	0.0000	0.0000	0.0000	0.0000

