

PRODUCT INFORMATION PACKET



Model No: C6T17NC298A

Catalog No: 191208.00

3/4HP..1740RPM.56.TENV.208-230/460V.3PH.60HZ.CONT.40C.1.15SF.C
FACE.C6T17NC298A.....WASHGUARD-ALL STAINLESS.NOT.....

Paint Free



Regal and Leeson are trademarks of Regal Beloit Corporation or one of its affiliated companies.

©2018 Regal Beloit Corporation, All Rights Reserved. MC017097E





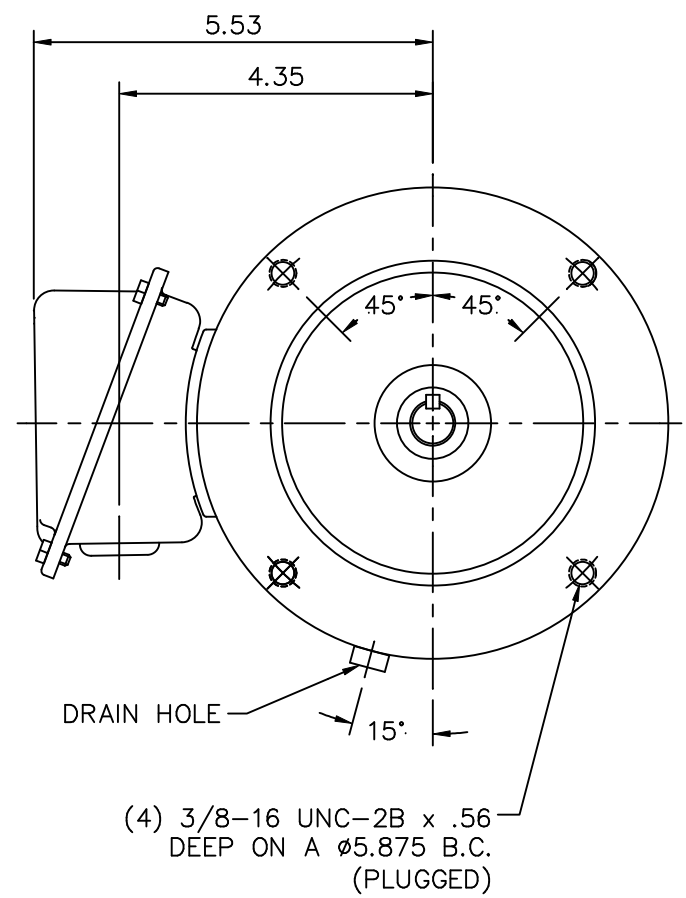
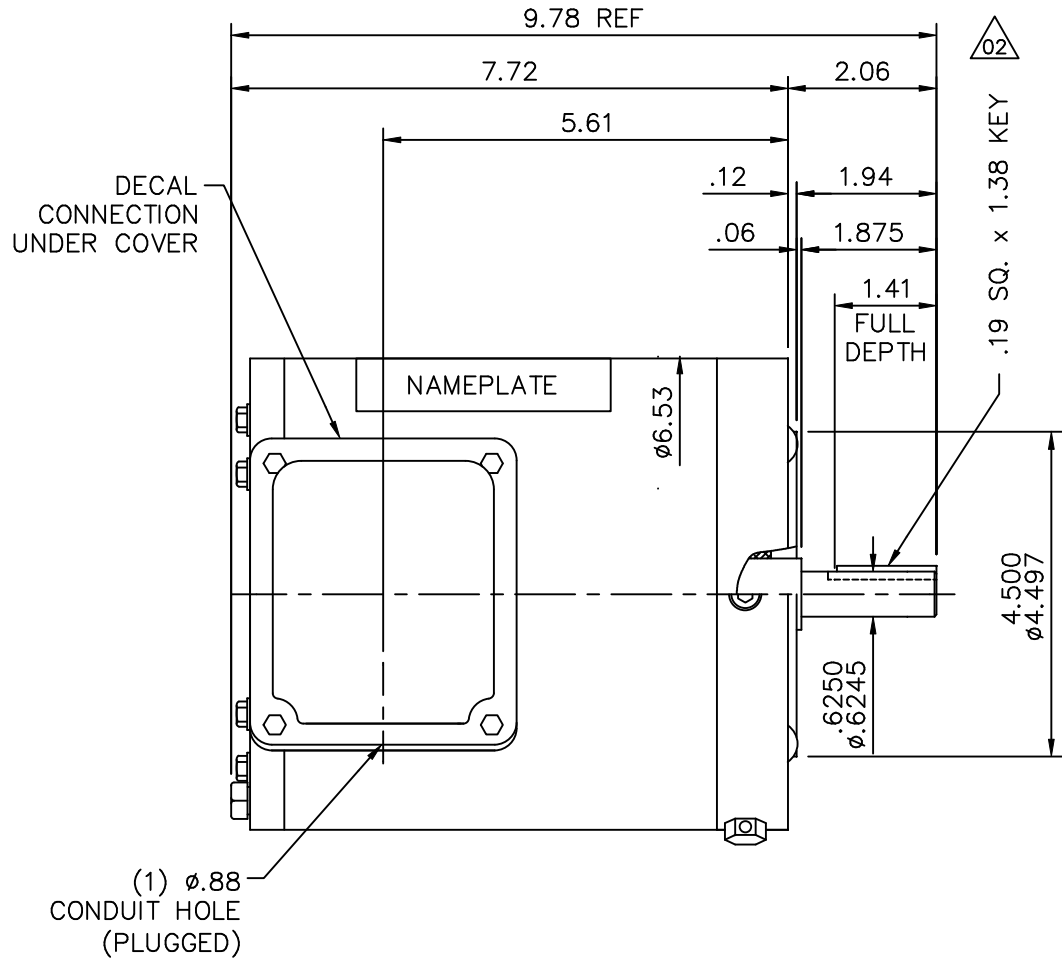
Nameplate Specifications

Output HP	0.75 Hp	Output KW	0.56 kW
Frequency	60 Hz	Voltage	208-230/460 V
Current	2.4-2.3/1.2 A	Speed	1740 rpm
Service Factor	1.15	Phase	3
Efficiency	82.5 %	Duty	Continuous
Insulation Class	F	Design Code	B
KVA Code	L	Frame	56C
Enclosure	Totally Enclosed Non Ventilated	Overload Protector	No
Ambient Temperature	40 °C	Drive End Bearing Size	6205
Opp Drive End Bearing Size	6205	UL	Recognized
CSA	Y	CE	Y
IP Code	55		

Technical Specifications


Electrical Type	Squirrel Cage Induction Run	Starting Method	Across The Line
Poles	4	Rotation	Reversible
Mounting	Round	Motor Orientation	HORIZONTAL
Drive End Bearing	BALL	Opp Drive End Bearing	BALL
Frame Material	Stainless Steel	Shaft Type	NEMA 56
Overall Length	9.78 in	Frame Length	6.00 in
Shaft Diameter	0.625 in	Shaft Extension	1.88 in
Assembly/Box Mounting	F1 ONLY		
Outline Drawing	16993000	Connection Diagram	005010.01

This is an uncontrolled document once printed or downloaded and is subject to change without notice. Date Created: 10/15/2018



MAXIMUM FACE RUNOUT TO BE .004 T.I.R.
 MAXIMUM PILOT ECCENTRICITY .004 T.I.R.
 PERMISSIBLE SHAFT RUNOUT .002 T.I.R.

GASKETS THROUGHOUT

				TOLERANCES UNLESS SPECIFIED		 ELECTRIC MOTORS GEARMOTORS AND DRIVES	DRAWN
				DEC.	INCHES		CHK
				.X	±.1		APPD
				.XX	±.03	TITLE	SCALE
02	UPDATED SHAFT EXT DIMS	RDW 4/26/04	SW	.XXX	±.005	OUTLINE - 56C FRAME TENV - "C" FACE	3=8
01	CONDUIT HOLE WAS 1/2-14 NPT, DIM .157 WAS .12	SW 10/7/2003	RDW	.XXXX	±.0005	MAT'L.	REF
NO.	REVISION	BY & DATE	CHK	ANG	±1/2"	FINISH	FMF
THIS DRAWING IN DESIGN AND DETAIL IS OUR PROPERTY AND MUST NOT BE USED EXCEPT IN CONNECTION WITH OUR WORK ALL RIGHTS OF DESIGN AND INVENTION ARE RESERVED THIS IS AN ELECTRONICALLY GENERATED DOCUMENT - DO NOT SCALE THIS PRINT				RFP		CAD FILE	DRAWING NO.
				DIST		16993000	169930.00
						SIZE	REV.
						A	01

005010-01

VIEW FROM OUTSIDE OF MOTOR AT SWITCH END.



VOLTAGE	L1	L2	L3	JOIN & INSULATE
HIGH	T1	T2	T3	(T4,T7) (T5,T8) (T6,T9)
LOW	T1,T7	T2,T8	T3,T9	T4,T5,T6

				TOLERANCES UNLESS SPECIFIED		Regal Beloit America, Inc.		DRAWN RDW 04/12/02				
				DEC.	INCHES			CHK				
				.X	±.1			APPD				
				.XX	±.01			SCALE 1=1				
				.XXX	±.005	TITLE		REF FIG.2-51				
A	UPDATED TO REGAL LOGO			SAJ	06/26/15	AJY	.XXXX	±.0005	MAT'L. DECAL - 004014	FMF		
NO.	REVISION			BY & DATE	CHK	ANG	±1/2"	FINISH	PREV			
THIS DRAWING IN DESIGN AND DETAIL IS OUR PROPERTY AND MUST NOT BE USED EXCEPT IN CONNECTION WITH OUR WORK ALL RIGHTS OF DESIGN AND INVENTION ARE RESERVED THIS IS AN ELECTRONICALLY GENERATED DOCUMENT - DO NOT SCALE THIS PRINT				RFP	04/12/02		CAD FILE	00501001		SIZE	DRAWING NO.	REV.
				DIST	BRF-NLV			A	005010-01		A	



Motor Load Data						Motor Speed Data		
Load	0%	25%	50%	75%	100%	LR		
Current (Amps)	0.70	0.77	0.87	1.00	1.15	0.8		
Torque (ft-lb)	0.00	144	288	432	576	1800		
RPM	1800	1787	1776	1763	1752	0		
Efficiency (%)		69.7	80.9	84.0	82.6	83.8		
P.F. (%)	14.0	33.4	50.6	63.1	74.0	77.8		0.0

Motor Speed Data		Information Block	
LR	Pull-Up	BD	Rated
0	900	1656	1752
Current (Amps)	9.3	8.6	5.6
Torque (ft-lb)	1,857	1,809	2,610
Speed (RPM)	0	1800	1800
Current (Amps)	9.3	8.6	5.6
Torque (ft-lb)	1,857	1,809	2,610

HP	0.8
Sync. RPM	1800
Frame	0
Enclosure	TENV
Construction	NA
Voltage	208-230/460#190/380 V
Frequency	60 Hz
Design	B
LR Code letter	L
Service Factor	1.15
Temp Rise @ FL	80 °C
Duty	CONT
Ambient	40 °C
Elevation	1,000 feet
Rotor/Shaft wk ²	-1.00 LB-Ft ²
Ref Wdg	QT6349 NR
Sound Pressure @ 1M	999 dBA
VFD Rating	NONE
Outline Dwg	16993000
Conn. Diag	005010.01
Additional Specifications:	
0	
EQUIV CKT (OHMS / PHASE)	
R1	R2
0.0000	0.0000
X1	X2
0.0000	0.0000
Xm	
0.0000	

