

PRODUCT INFORMATION PACKET



Model No: C6T34NK28A

Catalog No: 191206.00

3/4HP..3450RPM.56.TENV.208-230/460V.3PH.60HZ.CONT.40C.1.15SF.RIGID
C.C6T34NK28A.....WASHGUARD-ALL STAINLESS.NOT.....

Paint Free



Regal and Leeson are trademarks of Regal Beloit Corporation or one of its affiliated companies.

©2018 Regal Beloit Corporation, All Rights Reserved. MC017097E





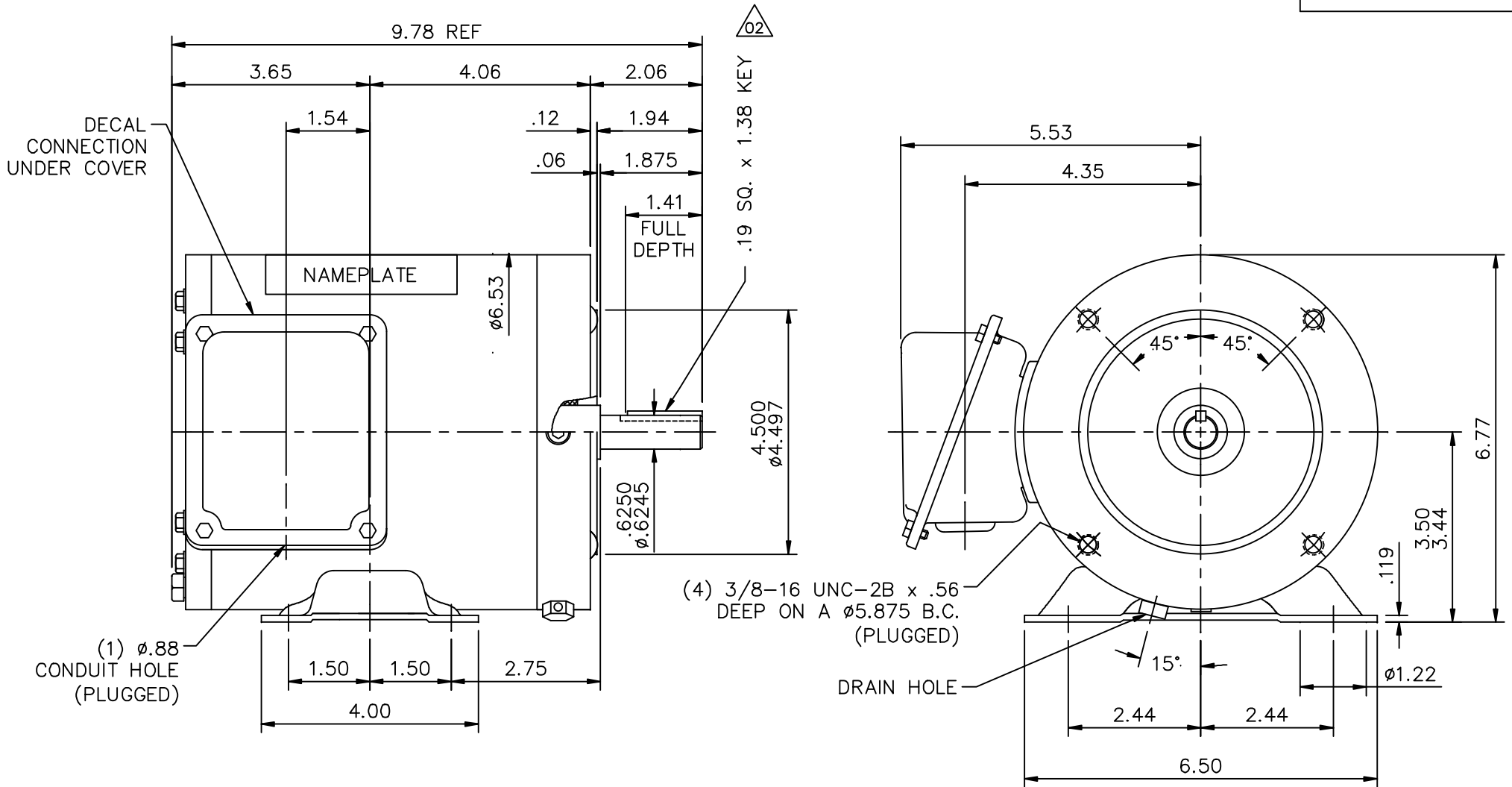
Nameplate Specifications

| | | | |
|----------------------------|--|------------------------|----------------------|
| Output HP | 0.75 Hp | Output KW | 0.56 kW |
| Frequency | 60 Hz | Voltage | 208-230/460 V |
| Current | 2.2-2.0/1.0 A | Speed | 3450 rpm |
| Service Factor | 1.15 | Phase | 3 |
| Efficiency | 78.5 % | Duty | Continuous |
| Insulation Class | F | Design Code | B |
| KVA Code | J | Frame | 56C |
| Enclosure | Totally Enclosed Non Ventilated | Overload Protector | No |
| Ambient Temperature | 40 °C | Drive End Bearing Size | 6205 |
| Opp Drive End Bearing Size | 6205 | UL | Recognized |
| CSA | Y | CE | Y |
| IP Code | 55 | | |

Technical Specifications


| | | | |
|-----------------------|------------------------------------|-----------------------|------------------------|
| Electrical Type | Squirrel Cage Induction Run | Starting Method | Across The Line |
| Poles | 2 | Rotation | Reversible |
| Mounting | Rigid base | Motor Orientation | HORIZONTAL |
| Drive End Bearing | BALL | Opp Drive End Bearing | BALL |
| Frame Material | Stainless Steel | Shaft Type | NEMA 56 |
| Overall Length | 9.78 in | Frame Length | 5.49 in |
| Shaft Diameter | 0.625 in | Shaft Extension | 1.88 in |
| Assembly/Box Mounting | F1 ONLY | | |
| Outline Drawing | 16992900 | Connection Diagram | 005010.01 |

This is an uncontrolled document once printed or downloaded and is subject to change without notice. Date Created: 10/15/2018



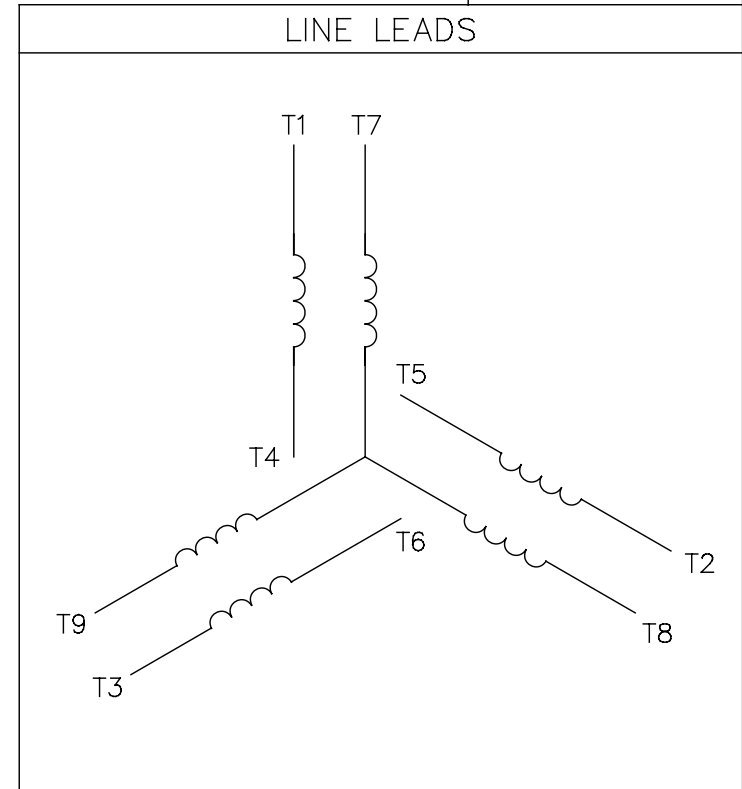
MAXIMUM FACE RUNOUT TO BE .004 T.I.R.
 MAXIMUM PILOT ECCENTRICITY .004 T.I.R.
 PERMISSABLE SHAFT RUNOUT .002 T.I.R.

GASKETS THROUGHOUT

| | | | | TOLERANCES UNLESS SPECIFIED | |  | ELECTRIC MOTORS GEARMOTORS AND DRIVES | DRAWN MGM 04/10/03 | | |
|--|---|--------------|-----|-----------------------------|--------|---|---|--------------------|--------------|------|
| | | | | DEC. | INCHES | | | CHK | RDW 04/10/03 | |
| | | | | .X | ±.1 | | | APPD | | |
| | | | | .XX | ±.03 | TITLE | OUTLINE - 56C FRAME TENV - RIGID "C" | SCALE | 3=8 | |
| 02 | UPDATED SHAFT EXT DIMS | RDW 4/26/04 | SW | .XXX | ±.005 | | | REF | | |
| 01 | CONDUIT HOLE WAS 1/2-14 NPT, DIM .157 WAS .12 | SW 10/7/2003 | RDW | .XXXX | ±.0005 | MAT'L. | | FMF | | |
| NO. | REVISION | BY & DATE | CHK | ANG | ±1/2' | FINISH | | PREV | | |
| THIS DRAWING IN DESIGN AND DETAIL IS OUR PROPERTY AND MUST NOT BE USED EXCEPT IN CONNECTION WITH OUR WORK ALL RIGHTS OF DESIGN AND INVENTION ARE RESERVED THIS IS AN ELECTRONICALLY GENERATED DOCUMENT - DO NOT SCALE THIS PRINT | | | | RFP | | CAD FILE | 16992900 | SIZE | DRAWING NO. | REV. |
| | | | | DIST | | | | A | 169929.00 | 01 |

005010-01

VIEW FROM OUTSIDE OF MOTOR AT SWITCH END.



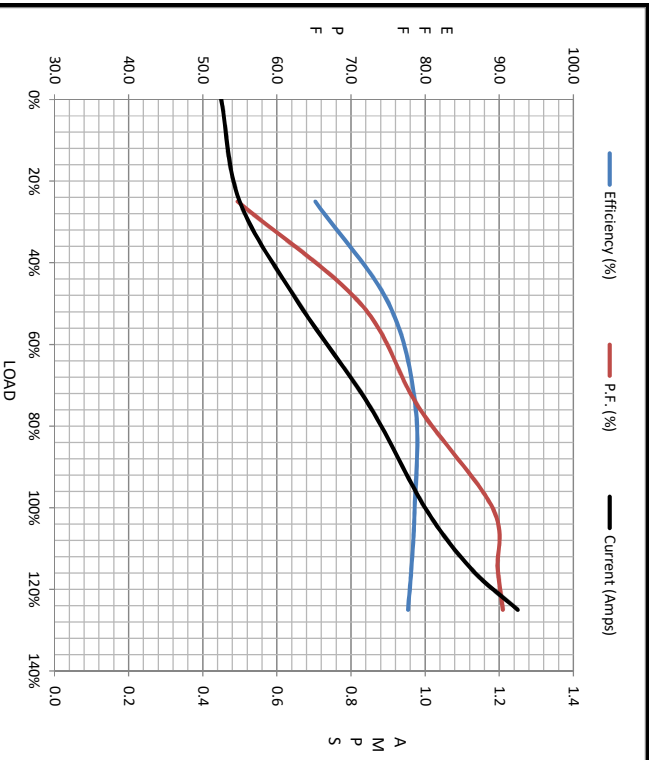
| VOLTAGE | L1 | L2 | L3 | JOIN & INSULATE |
|---------|-------|-------|-------|-------------------------------|
| HIGH | T1 | T2 | T3 | (T4,T7) (T5,T8) (T6,T9) |
| LOW | T1,T7 | T2,T8 | T3,T9 | T4,T5,T6 |

| | | | | | | | | | | |
|--|-----------------------|--|--|--------------------------------|----------|--|----------|-------------------------|-------------|------|
| | | | | TOLERANCES UNLESS SPECIFIED | | REGAL ™ Regal Beloit America, Inc. | | DRAWN RDW 04/12/02 | | |
| | | | | DEC. | INCHES | | | CHK | | |
| | | | | .X | ±.1 | | | APPD | | |
| | | | | .XX | ±.01 | | | SCALE 1=1 | | |
| | | | | .XXX | ±.005 | TITLE | | EXTERNAL WIRING DIAGRAM | | |
| | | | | .XXXX | ±.0005 | MAT'L. | | DECAL - 004014 | | |
| | | | | ANG | ±1/2° | FINISH | | REF FIG.2-51 | | |
| A | UPDATED TO REGAL LOGO | | | SAJ | 06/26/15 | AJY | .XXXX | ±.0005 | FMF | |
| NO. | REVISION | | | BY & DATE | CHK | ANG | ±1/2° | FINISH | PREV | |
| THIS DRAWING IN DESIGN AND DETAIL IS OUR PROPERTY AND MUST NOT BE USED EXCEPT IN CONNECTION WITH OUR WORK ALL RIGHTS OF DESIGN AND INVENTION ARE RESERVED THIS IS AN ELECTRONICALLY GENERATED DOCUMENT - DO NOT SCALE THIS PRINT | | | | RFP | 04/12/02 | CAD FILE | 00501001 | SIZE | DRAWING NO. | REV. |
| | | | | DIST | BRF-NLV | | | A | 005010-01 | A |



| Motor Load Data | | | | | | | | | |
|-----------------|------|------|------|------|------|-------|------|-----|--|
| Load | 0% | 25% | 50% | 75% | 100% | 115% | 125% | LR | |
| Current (Amps) | 0.45 | 0.50 | 0.66 | 0.85 | 1.00 | 1.13 | 1.25 | 6.9 | |
| Torque (ft-lb) | 0.00 | 71.8 | 144 | 217 | 292 | 5,281 | 370 | 684 | |
| RPM | 3600 | 3559 | 3524 | 3487 | 3434 | 3,419 | 3397 | 0 | |
| Efficiency (%) | | 65.2 | 75.1 | 78.7 | 78.6 | 78.2 | 77.7 | | |
| P.F. (%) | 17.0 | 54.7 | 71.3 | 79.0 | 89.1 | 89.8 | 90.5 | 0.0 | |

| Motor Speed Data | | | | | | Information Block | | | | | | | | | | | | | | | | | | | | | | | | | | |
|------------------|---------|------|-------|------|--|-------------------|-----------|-------|-----------|--------------|---------------------|-----------|--------|----------------|----------------|----------------|------|---------|-----------|-----------------------------|-----------|---------------------|------------|-------------|------------|----------------------------|--------------------------|--------|--------|--------|--------|----|
| LR | Pull-Up | BD | Rated | Idle | | HP | Sync. RPM | Frame | Enclosure | Construction | Voltage | Frequency | Design | LR Code letter | Service Factor | Temp Rise @ FL | Duty | Ambient | Elevation | Rotor/Shaft wk ² | Ref Wdg | Sound Pressure @ 1M | VFD Rating | Outline Dwg | Conn. Diag | Additional Specifications: | EQUIV CKT (OHMS / PHASE) | R1 | R2 | X1 | X2 | Xm |
| 0 | 1800 | 3312 | 3434 | 3600 | | 0.8 | 3600 | 0 | TENV | NA | 208-230/460#190/380 | 60 | B | J | 1.15 | 55 | CONT | 40 | 1,000 | 0.03 | Q16326 NR | 999 | NONE | 16992900 | 005010.01 | | 0.0000 | 0.0000 | 0.0000 | 0.0000 | 0.0000 | |



| LR | Pull-Up | BD | Rated | Idle |
|----------------|---------|------|-------|------|
| 0 | 1800 | 3312 | 3434 | 3600 |
| Current (Amps) | 6.9 | 6.3 | 4.1 | 1.00 |
| Torque (ft-lb) | 684 | 477 | 830 | 292 |
| | | | | 0.00 |

