

PRODUCT INFORMATION PACKET



Model No: C6T17NC329A

Catalog No: 191205.00

1/2HP..1740RPM.56.TENV.208-230/460V.3PH.60HZ.CONT.40C.1.15SF.C
FACE.C6T17NC329A.....WASHGUARD-ALL STAINLESS.NOT.....

Paint Free



Regal and Leeson are trademarks of Regal Beloit Corporation or one of its affiliated companies.

©2018 Regal Beloit Corporation, All Rights Reserved. MC017097E





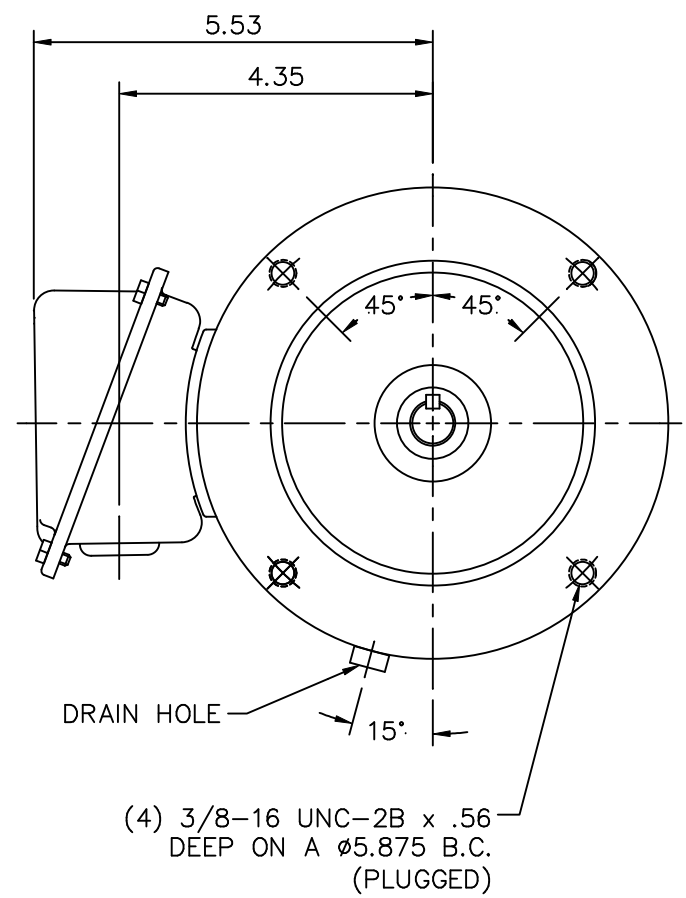
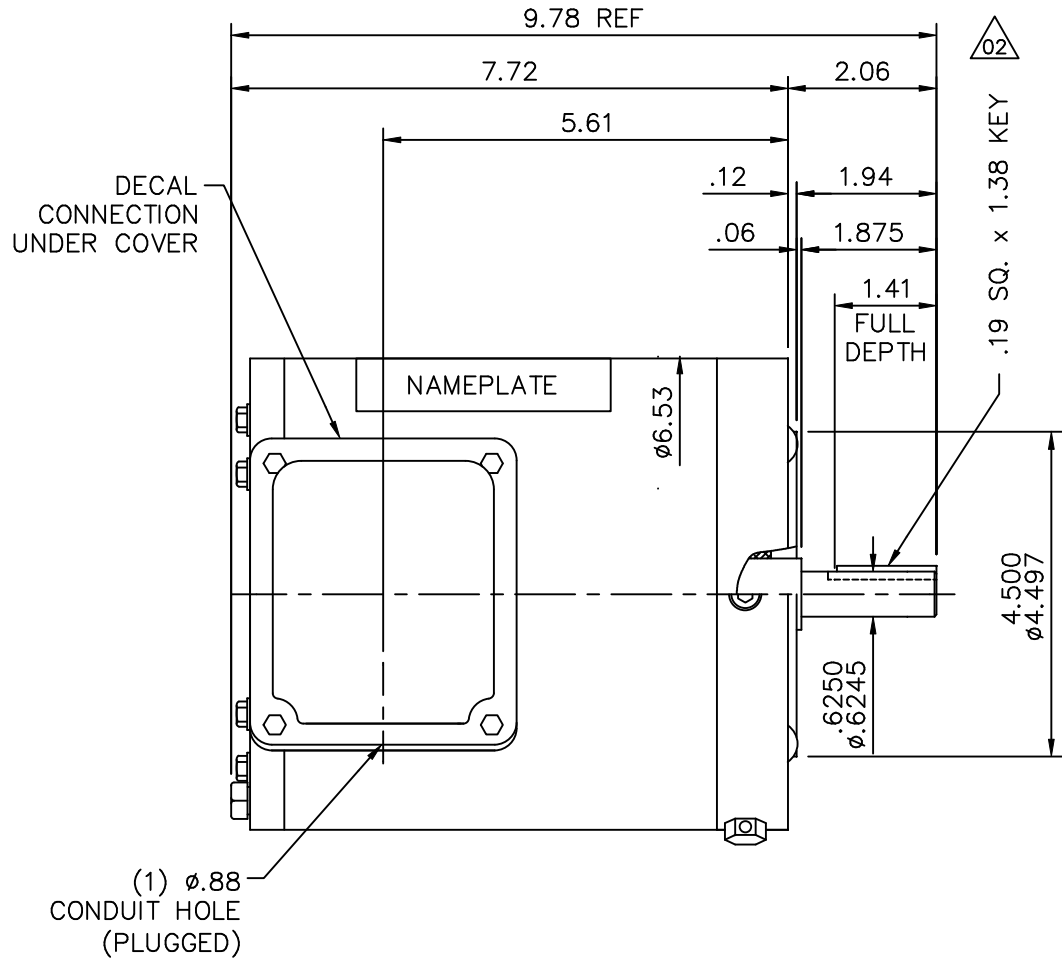
Nameplate Specifications

Output HP	0.50 Hp	Output KW	0.37 kW
Frequency	60 Hz	Voltage	208-230/460 V
Current	1.5-1.6/0.80 A	Speed	1740 rpm
Service Factor	1.15	Phase	3
Efficiency	81.5 %	Duty	Continuous
Insulation Class	F	Design Code	B
KVA Code	L	Frame	56C
Enclosure	Totally Enclosed Non Ventilated	Overload Protector	No
Ambient Temperature	40 °C	Drive End Bearing Size	6205
Opp Drive End Bearing Size	6205	UL	Recognized
CSA	Y	CE	Y
IP Code	55		

Technical Specifications


Electrical Type	Squirrel Cage Induction Run	Starting Method	Across The Line
Poles	4	Rotation	Reversible
Mounting	Round	Motor Orientation	HORIZONTAL
Drive End Bearing	BALL	Opp Drive End Bearing	BALL
Frame Material	Stainless Steel	Shaft Type	NEMA 56
Overall Length	9.78 in	Frame Length	9.72 in
Shaft Diameter	0.625 in	Shaft Extension	1.88 in
Assembly/Box Mounting	F1 ONLY		
Outline Drawing	16993000	Connection Diagram	005010.01

This is an uncontrolled document once printed or downloaded and is subject to change without notice. Date Created: 10/15/2018



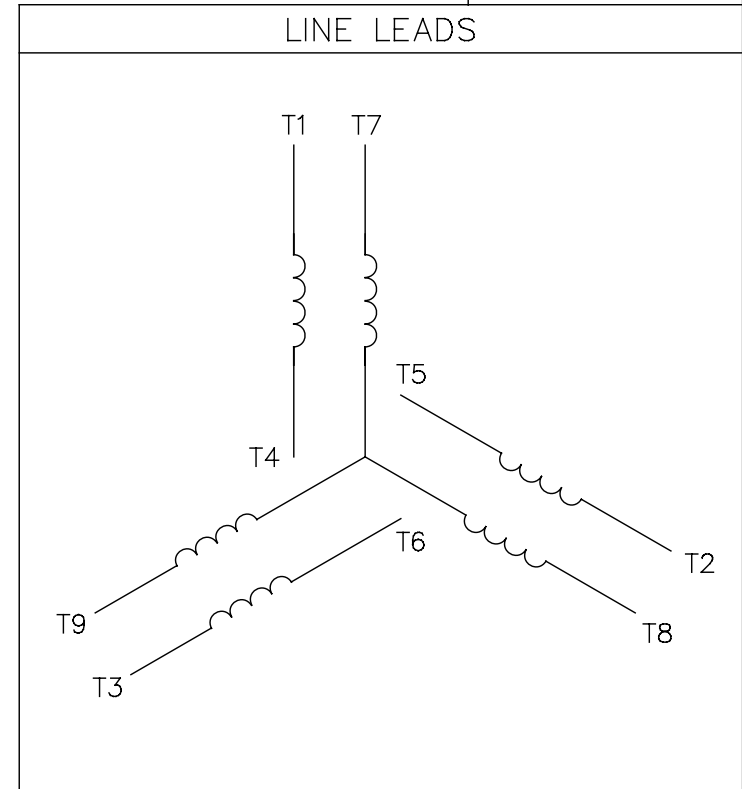
MAXIMUM FACE RUNOUT TO BE .004 T.I.R.
 MAXIMUM PILOT ECCENTRICITY .004 T.I.R.
 PERMISSIBLE SHAFT RUNOUT .002 T.I.R.

GASKETS THROUGHOUT

				TOLERANCES UNLESS SPECIFIED		 ELECTRIC MOTORS GEARMOTORS AND DRIVES	DRAWN	MGM 04/10/03		
				DEC.	INCHES		CHK	RDW 04/10/03		
				.X	±.1		APPD			
				.XX	±.03	TITLE	SCALE	3=8		
02	UPDATED SHAFT EXT DIMS	RDW 4/26/04	SW	.XXX	±.005	OUTLINE - 56C FRAME TENV - "C" FACE	REF			
01	CONDUIT HOLE WAS 1/2-14 NPT, DIM .157 WAS .12	SW 10/7/2003	RDW	.XXXX	±.0005	MAT'L.	FMF			
NO.	REVISION	BY & DATE	CHK	ANG	±1/2"	FINISH	PREV			
THIS DRAWING IN DESIGN AND DETAIL IS OUR PROPERTY AND MUST NOT BE USED EXCEPT IN CONNECTION WITH OUR WORK ALL RIGHTS OF DESIGN AND INVENTION ARE RESERVED THIS IS AN ELECTRONICALLY GENERATED DOCUMENT - DO NOT SCALE THIS PRINT				RFP		CAD FILE	16993000	SIZE	DRAWING NO.	REV.
				DIST				A	169930.00	01

005010-01

VIEW FROM OUTSIDE OF MOTOR AT SWITCH END.



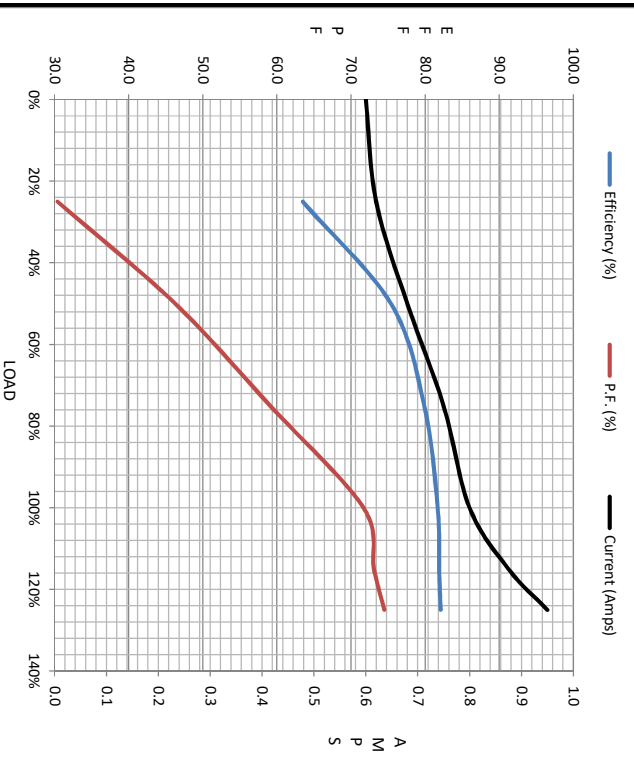
VOLTAGE	L1	L2	L3	JOIN & INSULATE
HIGH	T1	T2	T3	(T4,T7) (T5,T8) (T6,T9)
LOW	T1,T7	T2,T8	T3,T9	T4,T5,T6

				TOLERANCES UNLESS SPECIFIED		Regal Beloit America, Inc.		DRAWN RDW 04/12/02		
				DEC.	INCHES			CHK		
				.X	±.1			APPD		
				.XX	±.01			SCALE 1=1		
				.XXX	±.005	REF FIG.2-51				
A	UPDATED TO REGAL LOGO	SAJ 06/26/15	AJY	.XXXX	±.0005	TITLE EXTERNAL WIRING DIAGRAM 3 PHASE W/O PROTECTOR		FMF		
NO.	REVISION	BY & DATE	CHK	ANG	±1/2"	FINISH DECAL - 004014		PREV		
THIS DRAWING IN DESIGN AND DETAIL IS OUR PROPERTY AND MUST NOT BE USED EXCEPT IN CONNECTION WITH OUR WORK ALL RIGHTS OF DESIGN AND INVENTION ARE RESERVED THIS IS AN ELECTRONICALLY GENERATED DOCUMENT - DO NOT SCALE THIS PRINT				RFP	04/12/02	CAD FILE 00501001		SIZE	DRAWING NO.	REV.
				DIST BRF-NLV		A	005010-01	A		



Motor Load Data						LR		
Load	0%	25%	50%	75%	100%	115%	125%	
Current (Amps)	0.60	0.62	0.68	0.75	0.80	0.88	0.95	6.0
Torque (ft-lb)	0.00	96.1	192	288	384	6,923	480	1,129
RPM	1800	1788	1776	1765	1752	1,746	1,738	0
Efficiency (%)		63.5	75.4	79.9	81.7	81.9	82.1	
P.F. (%)	11.9	30.4	46.3	59.1	71.7	73.1	74.5	0.0

Motor Speed Data						Information Block				
Speed (RPM)	LR	Pull-Up	BD	Rated	Idle	HP	0.5	1800	0	1800
Current (Amps)	6.0	5.5	3.6	0.80	0.50	Sync. RPM	TENV	NA	208-230/460#190/380	V
Torque (ft-lb)	1,129	913	1,425	384	0.00	Construction	Design	B	Frequency	60
						LR Code letter	Service Factor	L	Temp Rise @ FL	73
						Duty	Ambient	CONT	Elevation	1,000
						Rotor/Shaft wk ²	Rel Wdg	Q16348 NR	Sound Pressure @ 1M	999
						VFD Rating		NONE	Outline Dwg	16993000
						Conn. Diag		005010.01	Additional Specifications:	0
									EQUIV CKT (OHMS / PHASE)	R1
										R2
										X1
										X2
										Xm



Parameter	Value
HP	0.5
Sync. RPM	1800
Frame	0
Enclosure	TENV
Construction	NA
Voltage	208-230/460#190/380 V
Frequency	60 Hz
Design	B
LR Code letter	L
Service Factor	1.15
Temp Rise @ FL	73 °C
Duty	CONT
Ambient	40 °C
Elevation	1,000 feet
Rotor/Shaft wk ²	-1.00 LB-Ft ²
Rel Wdg	Q16348 NR
Sound Pressure @ 1M	999 dBA
VFD Rating	NONE
Outline Dwg	16993000
Conn. Diag	005010.01
Additional Specifications:	0

