

PRODUCT INFORMATION PACKET



Model No: C6T34NK27A

Catalog No: 191203.00

1/2HP..3450RPM.56.TENV.208-230/460V.3PH.60HZ.CONT.40C.1.15SF.RIGID
C.C6T34NK27A.....WASHGUARD-ALL STAINLESS.NOT.....

Paint Free



Regal and Leeson are trademarks of Regal Beloit Corporation or one of its affiliated companies.

©2018 Regal Beloit Corporation, All Rights Reserved. MC017097E





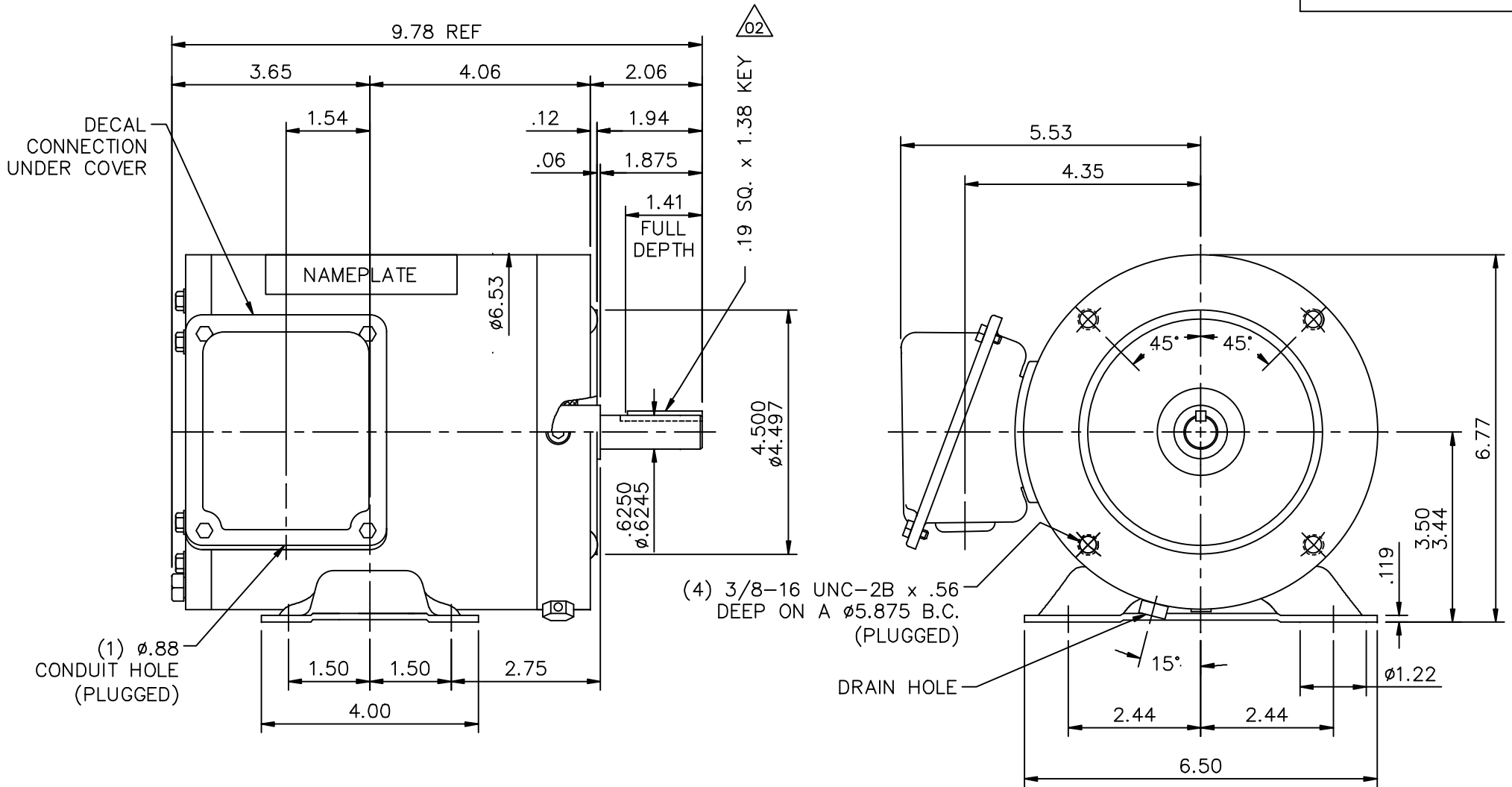
Nameplate Specifications

Output HP	0.50 Hp	Output KW	0.37 kW
Frequency	60 Hz	Voltage	208-230/460 V
Current	1.6-1.5/0.75 A	Speed	3450 rpm
Service Factor	1.15	Phase	3
Efficiency	77 %	Duty	Continuous
Insulation Class	F	Design Code	B
KVA Code	K	Frame	56C
Enclosure	Totally Enclosed Non Ventilated	Overload Protector	No
Ambient Temperature	40 °C	Drive End Bearing Size	6205
Opp Drive End Bearing Size	6205	UL	Recognized
CSA	Y	CE	Y
IP Code	43		

Technical Specifications


Electrical Type	Squirrel Cage Induction Run	Starting Method	Across The Line
Poles	2	Rotation	Reversible
Mounting	Rigid base	Motor Orientation	HORIZONTAL
Drive End Bearing	BALL	Opp Drive End Bearing	BALL
Frame Material	Stainless Steel	Shaft Type	NEMA 56
Overall Length	9.78 in	Frame Length	5.49 in
Shaft Diameter	0.625 in	Shaft Extension	1.88 in
Assembly/Box Mounting	F1 ONLY		
Outline Drawing	16992900	Connection Diagram	005010.01

This is an uncontrolled document once printed or downloaded and is subject to change without notice. Date Created: 10/15/2018



MAXIMUM FACE RUNOUT TO BE .004 T.I.R.
 MAXIMUM PILOT ECCENTRICITY .004 T.I.R.
 PERMISSIBLE SHAFT RUNOUT .002 T.I.R.

GASKETS THROUGHOUT

				TOLERANCES UNLESS SPECIFIED			ELECTRIC MOTORS GEARMOTORS AND DRIVES	DRAWN MGM 04/10/03		
				DEC.	INCHES			CHK	RDW 04/10/03	
				.X	±.1			APPD		
				.XX	±.03	TITLE	OUTLINE - 56C FRAME TENV - RIGID "C"	SCALE	3=8	
02	UPDATED SHAFT EXT DIMS	RDW 4/26/04	SW	.XXX	±.005			REF		
01	CONDUIT HOLE WAS 1/2-14 NPT, DIM .157 WAS .12	SW 10/7/2003	RDW	.XXXX	±.0005	MAT'L.		FMF		
NO.	REVISION	BY & DATE	CHK	ANG	±1/2'	FINISH		PREV		
THIS DRAWING IN DESIGN AND DETAIL IS OUR PROPERTY AND MUST NOT BE USED EXCEPT IN CONNECTION WITH OUR WORK ALL RIGHTS OF DESIGN AND INVENTION ARE RESERVED THIS IS AN ELECTRONICALLY GENERATED DOCUMENT - DO NOT SCALE THIS PRINT				RFP		CAD FILE	16992900	SIZE	DRAWING NO.	REV.
				DIST				A	169929.00	01

005010-01

VIEW FROM OUTSIDE OF MOTOR AT SWITCH END.



VOLTAGE	L1	L2	L3	JOIN & INSULATE
HIGH	T1	T2	T3	(T4,T7) (T5,T8) (T6,T9)
LOW	T1,T7	T2,T8	T3,T9	T4,T5,T6

				TOLERANCES UNLESS SPECIFIED		Regal Beloit America, Inc.		DRAWN RDW 04/12/02				
				DEC.	INCHES			CHK				
				.X	±.1			APPD				
				.XX	±.01			SCALE 1=1				
				.XXX	±.005	TITLE		REF FIG.2-51				
A	UPDATED TO REGAL LOGO			SAJ	06/26/15	AJY	.XXXX	±.0005	MAT'L. DECAL - 004014	FMF		
NO.	REVISION			BY & DATE	CHK	ANG	±1/2"	FINISH	PREV			
THIS DRAWING IN DESIGN AND DETAIL IS OUR PROPERTY AND MUST NOT BE USED EXCEPT IN CONNECTION WITH OUR WORK ALL RIGHTS OF DESIGN AND INVENTION ARE RESERVED THIS IS AN ELECTRONICALLY GENERATED DOCUMENT - DO NOT SCALE THIS PRINT				RFP	04/12/02		CAD FILE	00501001		SIZE	DRAWING NO.	REV.
				DIST	BRF-NLV				A	005010-01		A



Motor Load Data

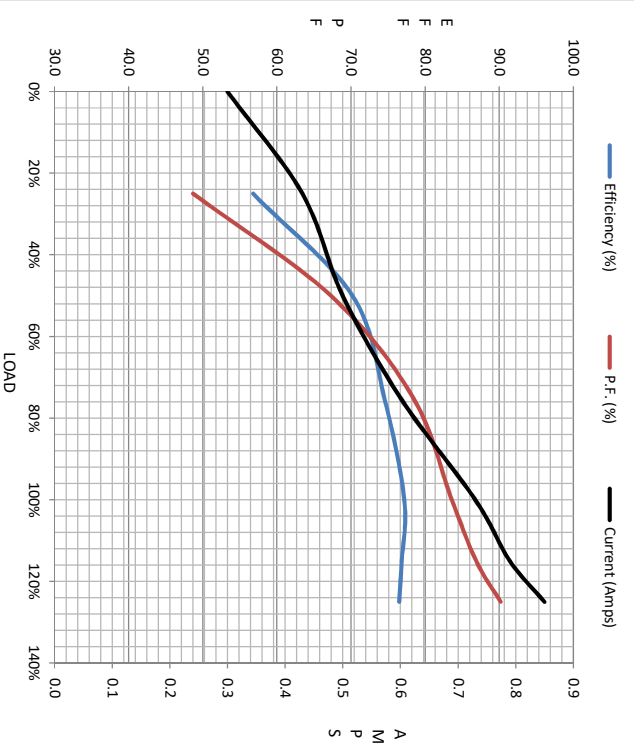
Load	0%	25%	50%	75%	100%	115%	125%	LR
Current (Amps)	0.30	0.43	0.50	0.60	0.73	0.79	0.85	5.1
Torque (ft-lb)	0.00	48.0	96.0	144	195	3,528	246	528
RPM	3600	3560	3530	3497	3443	3,435	3,422	0
Efficiency (%)		70.2	70.2	74.5	77.2	76.9	76.5	
P.F. (%)	29.7	48.7	67.3	78.4	83.6	86.9	90.2	0.0

Motor Speed Data

	LR	Pull-Up	BD	Rated	Idle
Speed (RPM)	0	1800	3312	3443	3600
Current (Amps)	5.1	4.7	3.1	0.73	0.30
Torque (ft-lb)	528	373	619	195	0.00

Information Block

HP	0.5			
Sync. RPM	3600			
Frame	0			
Enclosure	TENV			
Construction	NA			
Voltage	208-230/460#190/380 V			
Frequency	60 Hz			
Design	B			
LR Code letter	K			
Service Factor	1.15			
Temp Rise @ FL	73 °C			
Duty	CONT			
Ambient	40 °C			
Elevation	1,000 feet			
Rotor/Shaft wk ²	0.03 LB-Ft ²			
Ref Wdg	QT6325 NR			
Sound Pressure @ 1M	999 dBA			
VFD Rating	NONE			
Outline Dwg	16992900			
Conn. Diag	005010.01			
Additional Specifications:				
0				
EQUIV CKT (OHMS / PHASE)				
R1	R2	X1	X2	Xm
0.0000	0.0000	0.0000	0.0000	0.0000



Speed - Torque Curve

