

PRODUCT INFORMATION PACKET



Model No: C145T17FB78AAA

Catalog No: 171646.60

..1 1/2HP..1725RPM.145T.TEFC.230/460V.3PH.60HZ.CONT.40C.1.15SF.RIGID.....NOT.....

Totally Enclosed Fan Cooled (TEFC)



Regal and Leeson are trademarks of Regal Beloit Corporation or one of its affiliated companies.

©2018 Regal Beloit Corporation, All Rights Reserved. MC017097E





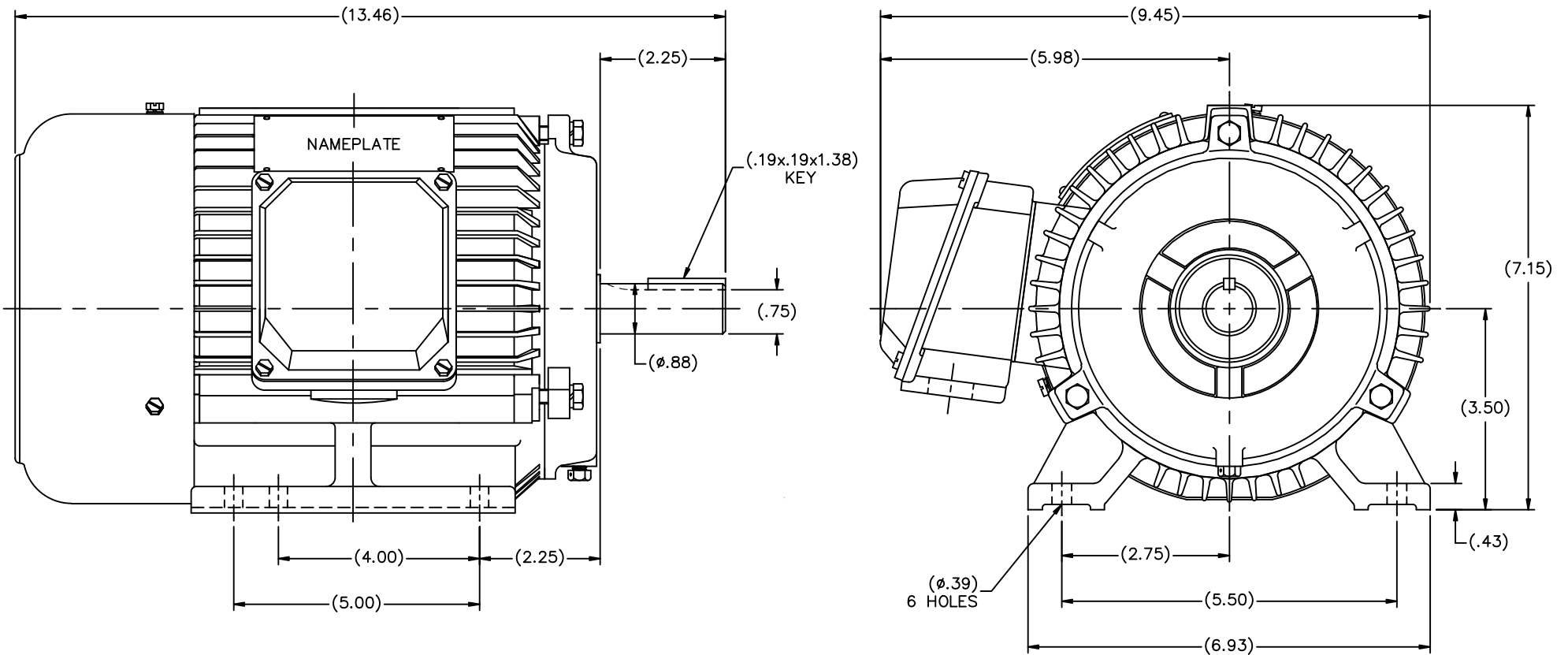
Nameplate Specifications

Output HP	1.50 Hp	Output KW	1.1 kW
Frequency	60 Hz	Voltage	208-230/460 V
Current	4.8-4.8/2.4 A	Speed	1760 rpm
Service Factor	1.15	Phase	3
Efficiency	87.5 %	Duty	Continuous
Insulation Class	F	Design Code	B
KVA Code	M	Frame	145T
Enclosure	Totally Enclosed Fan Cooled	Overload Protector	No
Ambient Temperature	40 °C	Drive End Bearing Size	6205
Opp Drive End Bearing Size	6205	UL	No
CSA	N	CE	N
IP Code	43		


Technical Specifications

Electrical Type	Squirrel Cage Inverter Rated	Starting Method	Line Or Inverter
Poles	4	Rotation	Reversible
Mounting	Rigid base	Motor Orientation	HORIZONTAL
Drive End Bearing	BALL	Opp Drive End Bearing	BALL
Frame Material	Cast Iron	Shaft Type	T
Overall Length	13.46 in	Shaft Diameter	0.875 in
Shaft Extension	2.25 in	Assembly/Box Mounting	F1/F2 CAPABLE
Outline Drawing	B-SS622146	Connection Diagram	00501001

This is an uncontrolled document once printed or downloaded and is subject to change without notice. Date Created: 10/15/2018



(DRAWING MAY NOT BE TO SCALE)

				TOLERANCES UNLESS SPECIFIED				DRAWN MSG 06-28-2006	
				DEC.	INCHES			CHK ML 06-28-2006	
				.X	±.1	APPD SB 06-28-2006		SCALE 5=8	
				.XX	±.03	TITLE OUTLINE		REF	
				.XXX	±.005	N140T-4G - STD. BRKT		FMF MU75330	
				.XXXX	±.0005	MAT'L		PREV	
01	CHANGE CO FROM MARATHON TO RBC	ISAAC 10-3802	TF	10/5/2010	CHK	ANG	±7'30"	FINISH	
NO. REVISION				BY & DATE	CHK	ANG	±7'30"	FINISH	
THIS DRAWING IN DESIGN AND DETAIL IS OUR PROPERTY AND MUST NOT BE USED EXCEPT IN CONNECTION WITH OUR WORK ALL RIGHTS OF DESIGN AND INVENTION ARE RESERVED THIS IS AN ELECTRONICALLY GENERATED DOCUMENT - DO NOT SCALE THIS PRINT				RFP	09-25-2006	CAD FILE SS622146		SIZE	DRAWING NO. PAGE OF REV.
				DIST	MAR-WA-WP			B	SS622146 01

005010-01

VIEW FROM OUTSIDE OF MOTOR AT SWITCH END.



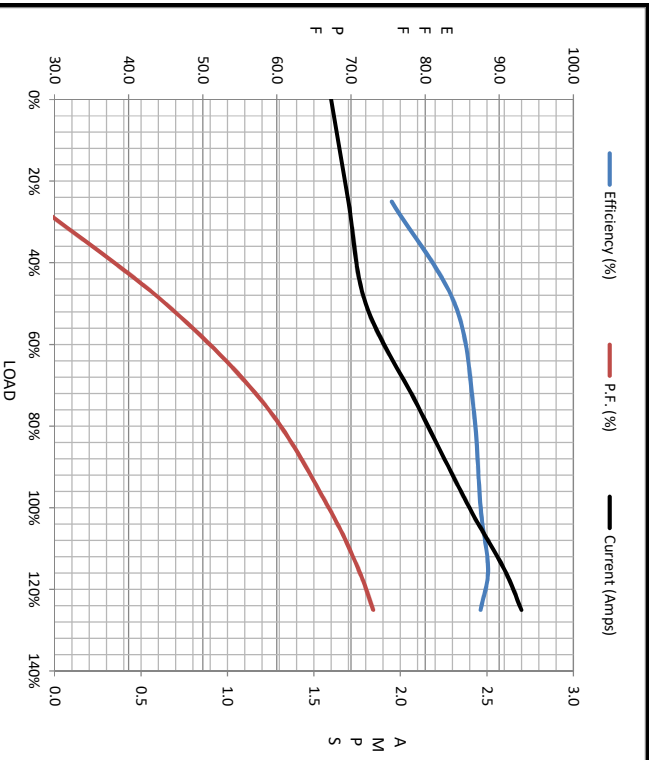
VOLTAGE	L1	L2	L3	JOIN & INSULATE
HIGH	T1	T2	T3	(T4,T7) (T5,T8) (T6,T9)
LOW	T1,T7	T2,T8	T3,T9	T4,T5,T6

				TOLERANCES UNLESS SPECIFIED		Regal Beloit America, Inc.		DRAWN RDW 04/12/02			
				DEC.	INCHES			CHK			
				.X	±.1			APPD			
				.XX	±.01			SCALE 1=1			
				.XXX	±.005	TITLE		REF FIG.2-51			
A	UPDATED TO REGAL LOGO	SAJ 06/26/15	AJY	.XXXX	±.0005	MAT'L.		FMF			
NO.	REVISION	BY & DATE	CHK	ANG	±1/2"	FINISH		PREV			
THIS DRAWING IN DESIGN AND DETAIL IS OUR PROPERTY AND MUST NOT BE USED EXCEPT IN CONNECTION WITH OUR WORK ALL RIGHTS OF DESIGN AND INVENTION ARE RESERVED THIS IS AN ELECTRONICALLY GENERATED DOCUMENT - DO NOT SCALE THIS PRINT				RFP	04/12/02	CAD FILE		00501001	SIZE	DRAWING NO.	REV.
				DIST		BRF-NLV		A	005010-01	A	



Motor Load Data						LR	
Load	0%	25%	50%	75%	100%	115%	125%
Current (Amps)	1.60	1.70	1.80	2.10	2.40	2.60	2.70
Torque (ft-lb)	0.00	1.10	2.20	3.4	4.5	5.2	5.7
RPM	1800	1790	1780	1770	1760	1755	1750
Efficiency (%)		75.5	84.0	86.5	87.5	88.5	87.5
P.F. (%)	6.5	27.0	45.0	58.5	67.0	71.0	73.0

Motor Speed Data						Information Block				
	LR	Pull-Up	BD	Rated	Idle	HP	Sync. RPM	Frame	Enclosure	
Speed (RPM)	0	315	1335	1760	1800	1.5	1800	145	TEFC	
Current (Amps)	19.3	18.7	11.5	2.40	1.60				TFC	
Torque (ft-lb)	16.6	14.3	19.2	4.5	0.00					
						Construction	208-230/460#190/380			
						Voltage	60			
						Frequency	Hz			
						Design	B			
						LR Code letter	M			
						Service Factor	1.15			
						Temp Rise @ FL	29 °C			
						Duty	CONT			
						Ambient	40 °C			
						Elevation	1,000 feet			
						Rotor/Shaft wk ²	0.00 LB-Ft ²			
						Ref Wdg	T06804008 NONE			
						Sound Pressure @ 1M	38 dBA			
						VFD Rating	CONSTANT 10:1			
						Outline Dwg	B-SS622146			
						Conn. Diag	00501001			
						Additional Specifications:				
						0				
						EQUIV CKT (OHMS / PHASE)				
						R1	R2	X1	X2	Xm
						0.0000	0.0000	0.0000	0.0000	0.0000



	R1	R2	X1	X2	Xm
0.0000	0.0000	0.0000	0.0000	0.0000	0.0000

