

PRODUCT INFORMATION PACKET



Model No: C445T11DB4A

Catalog No: 170259.60

125/100HP..1195RPM.445.DP./460V.3PH.60/50HZ.CONT.NOT.40C.1.15/1.15SF.RIGID.WATTSAYER.C445
T11DB4A

Open Drip Proof (ODP)



Regal and Leeson are trademarks of Regal Beloit Corporation or one of its affiliated companies.

©2018 Regal Beloit Corporation, All Rights Reserved. MC017097E





Nameplate Specifications

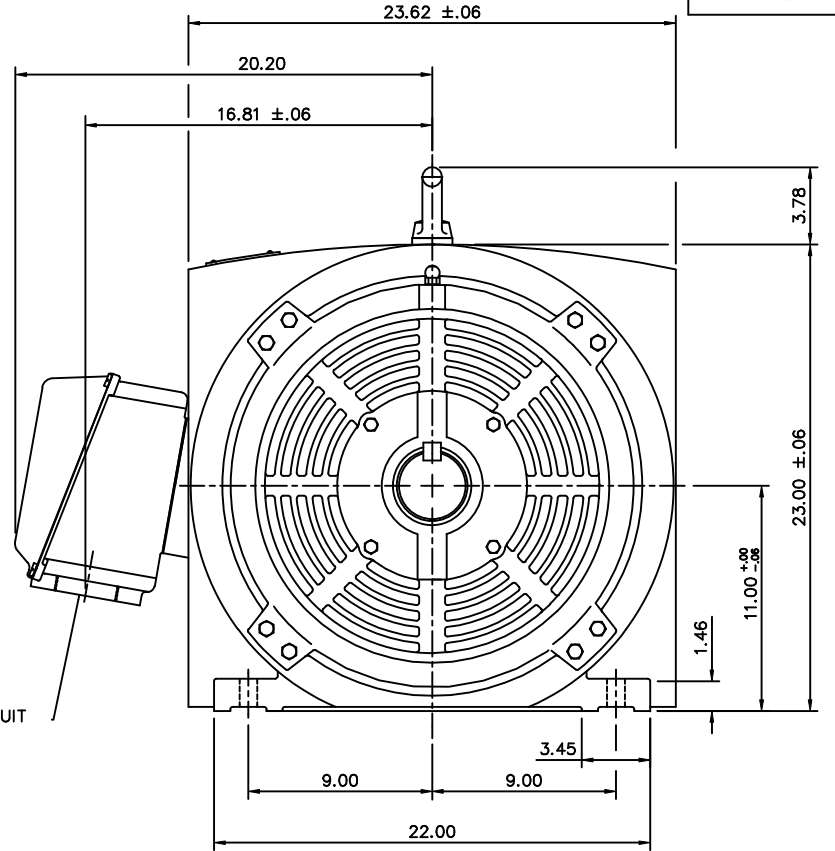
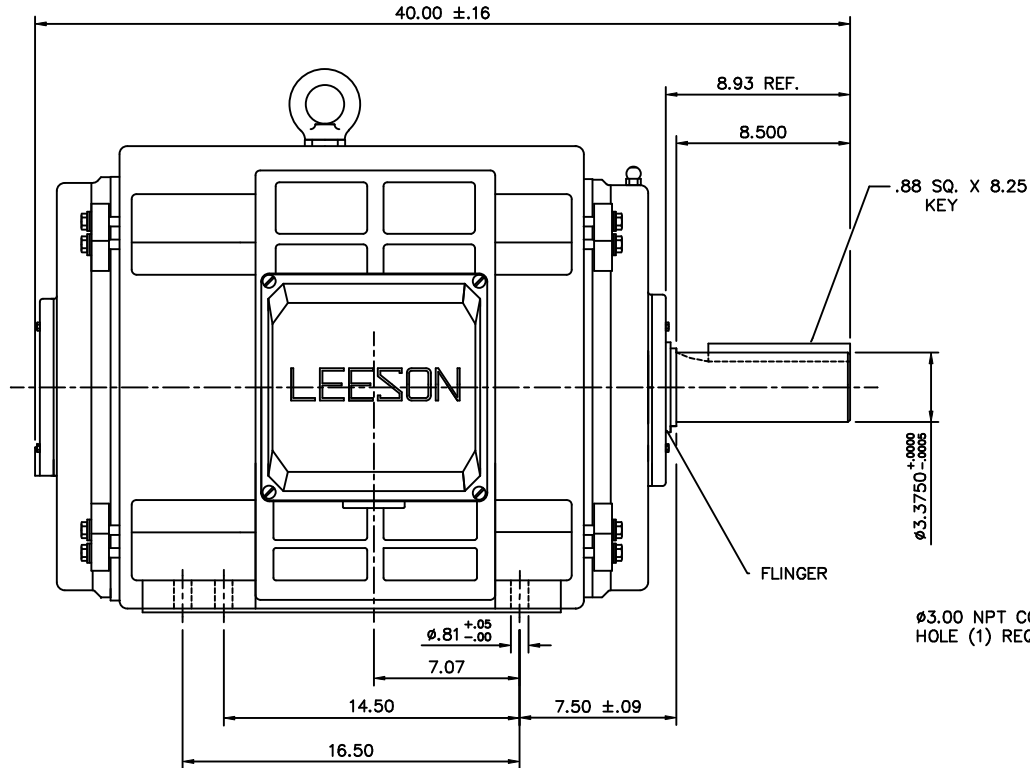
Output HP	125 Hp	Output KW	93.0 kW
Frequency	60 Hz	Voltage	460 V
Current	148.0 A	Speed	1195 rpm
Service Factor	1.15	Phase	3
Efficiency	95.8 %	Duty	Continuous
Insulation Class	F	Design Code	B
KVA Code	F	Frame	445T
Enclosure	Drip Proof	Overload Protector	No
Ambient Temperature	40 °C	Drive End Bearing Size	6318
Opp Drive End Bearing Size	6317	UL	Recognized
CSA	Y	CE	Y
IP Code	22		

Technical Specifications

Electrical Type	Squirrel Cage Inverter Rated	Starting Method	Wye Start Delta Run Or Inverter
Poles	6	Rotation	Reversible
Mounting	Rigid base	Motor Orientation	HORIZONTAL
Drive End Bearing	BALL	Opp Drive End Bearing	BALL
Frame Material	Cast Iron	Shaft Type	T
Overall Length	40.00 in	Shaft Diameter	3.375 in
Shaft Extension	8.5 in	Assembly/Box Mounting	F1 ONLY
Outline Drawing	16958260	Connection Diagram	00519001

This is an uncontrolled document once printed or downloaded and is subject to change without notice. Date Created: 10/15/2018

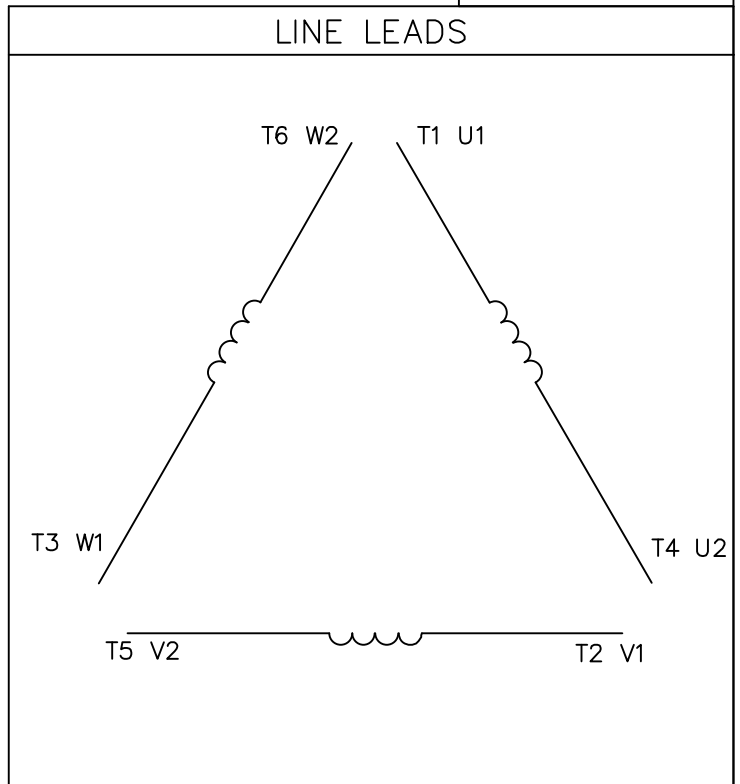
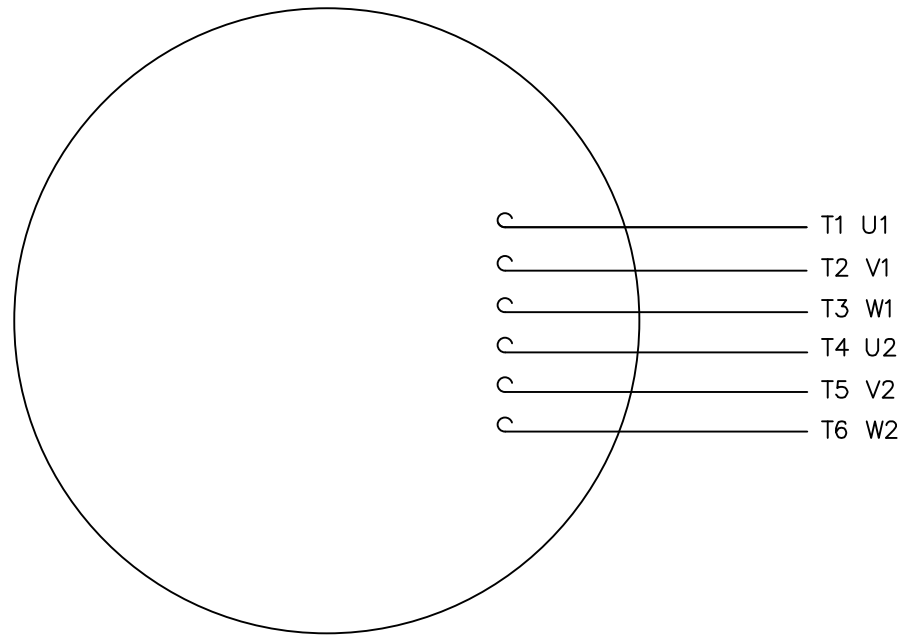
169582-60



Ø3.00 NPT CONDUIT HOLE (1) REQ'D

				TOLERANCES UNLESS OTHERWISE SPECIFIED		LEESON ELECTRIC CORPORATION			
				DECIMALS					
				.00	± .03	DRAWN	LEM 10/01/99	TITLE OUTLINE - 444T/445T FRAME, OPEN DRIP PROOF, RIGID MOUNT, MEETS NEC/UL CON-BOX VOLUME = 13800 CC	
				.000	± .005	CH'K'D.	ADS 10/15/99		
				.0000	± .0005	APPR.	ADS 10/15/99	MAT'L	
NO.	REVISION	BY	DATE	FRACTIONS	± 1/64	SCALE	1=6	CAST IRON	
THIS DRAWING IN DESIGN AND DETAIL IS OUR PROPERTY AND MUST NOT BE USED EXCEPT IN CONNECTION WITH OUR WORK ALL RIGHTS OF DESIGN AND INVENTION ARE RESERVED				ANGLES	± 1/2°	REF.	FINISH	SIZE	DRAWING NO.
				INCH/MM		FMF		B	169582-60

ERROR: undefined
OFFENDING COMMAND: Pscript_WinN
STACK :



	L1	L2	L3	JOIN
START (WYE)	T1 U1	T2 V1	T3 U2	(T4,T5,T6) (U2,V2,W2)
RUN (DELTA)	(T1,T6) (U1,W2)	(T2,T4) (V1,U2)	(T3,T5) (W1,V2)	

				TOLERANCES UNLESS OTHERWISE SPECIFIED		LEESON ELECTRIC CORPORATION				
				DECIMALS						
03	ADDED IEC DESIGNATIONS	MOL	4/27/2012	.00	± .01	DRAWN PG 05/07/82	TITLE EXT. WIRING DIAGRAM			
02	REMOVED OBSOLETE STATUS	KJH	6/28/99	.000	± .005	CH'K'D. TEM	STAR START - DELTA RUN			
01	REDRAWN ON CAD	DBT	05/30/97	.0000	± .0005	APPR. 05/07/82	MAT'L. Y-CONNECTED START			
NO.	REVISION	BY	DATE	FRACTIONS	± 1/64	SCALE 1=1	DELTA CONNECTED RUN - SINGLE VOLTAGE			
THIS DRAWING IN DESIGN AND DETAIL IS OUR PROPERTY AND MUST NOT BE USED EXCEPT IN CONNECTION WITH OUR WORK ALL RIGHTS OF DESIGN AND INVENTION ARE RESERVED				ANGLES		REF. T2E	FINISH		SIZE	DRAWING NO.
				INCH/MM		FMF	ELECTRO POWER	A	005190-01	



Motor Load Data								
Load	0%	25%	50%	75%	100%	115%	125%	LR
Current (Amps)	51.5	62.0	85.0	115	148	167	186	870
Torque (ft-lb)	0.00	137	274	412	550	619	688	926
RPM	1200	1199	1198	1197	1195	1,194	1193	0
Efficiency (%)		92.4	95.4	95.8	95.8	95.6	95.4	95.4
P.F. (%)	4.0	51.0	72.0	80.0	82.5	82.5	82.5	0.0

Motor Speed Data					
	LR	Pull-Up	BD	Rated	Idle
Speed (RPM)	0	900	1170	1195	1200
Current (Amps)	870	692	514	148	51.5
Torque (ft-lb)	926	696	1,166	550	0.00

Information Block

HP	125.0
Sync. RPM	1200
Frame	445
Enclosure	DP
Construction	TDC
Voltage	460#380 V
Frequency	60 Hz
Design	B
LR Code letter	F
Service Factor	1.15
Temp Rise @ FL	37 °C
Duty	CONT
Ambient	40 °C
Elevation	1,000 feet
Rotor/Shaft wk ²	0.00 LB-Ft ²
Ref Wdg	T22806009 DR
Sound Pressure @ 1M	999 dBA
VFD Rating	CONSTANT 4:1
Outline Dwg	16958260
Conn. Diag	00519001
Additional Specifications:	
0	
EQUIV CKT (OHMS / PHASE)	
R1	R2
0.0000	0.0000
X1	X2
0.0000	0.0000
Xm	
0.0000	

