

PRODUCT INFORMATION PACKET



Model No: C143T17FB35A
Catalog No: 122231.00
122231.00..1HP..1760RPM.143T.TEFC.200-
208V.3PH.60HZ.CONT.40C.1.15SF.RIGID.C143T17FB35.....SPECIAL VOLTAGE.NONE.....
200/400 Volts



Regal and Leeson are trademarks of Regal Beloit Corporation or one of its affiliated companies.
©2018 Regal Beloit Corporation, All Rights Reserved. MC017097E



Product Information Packet: Model No: C143T17FB35A, Catalog No:122231.00
 122231.00..1HP..1760RPM.143T.TEFC.200-208V.3PH.60HZ.CONT.40C.1.15SF.RIGID.C143T17FB35.....SPECIAL
 VOLTAGE.NONE.....



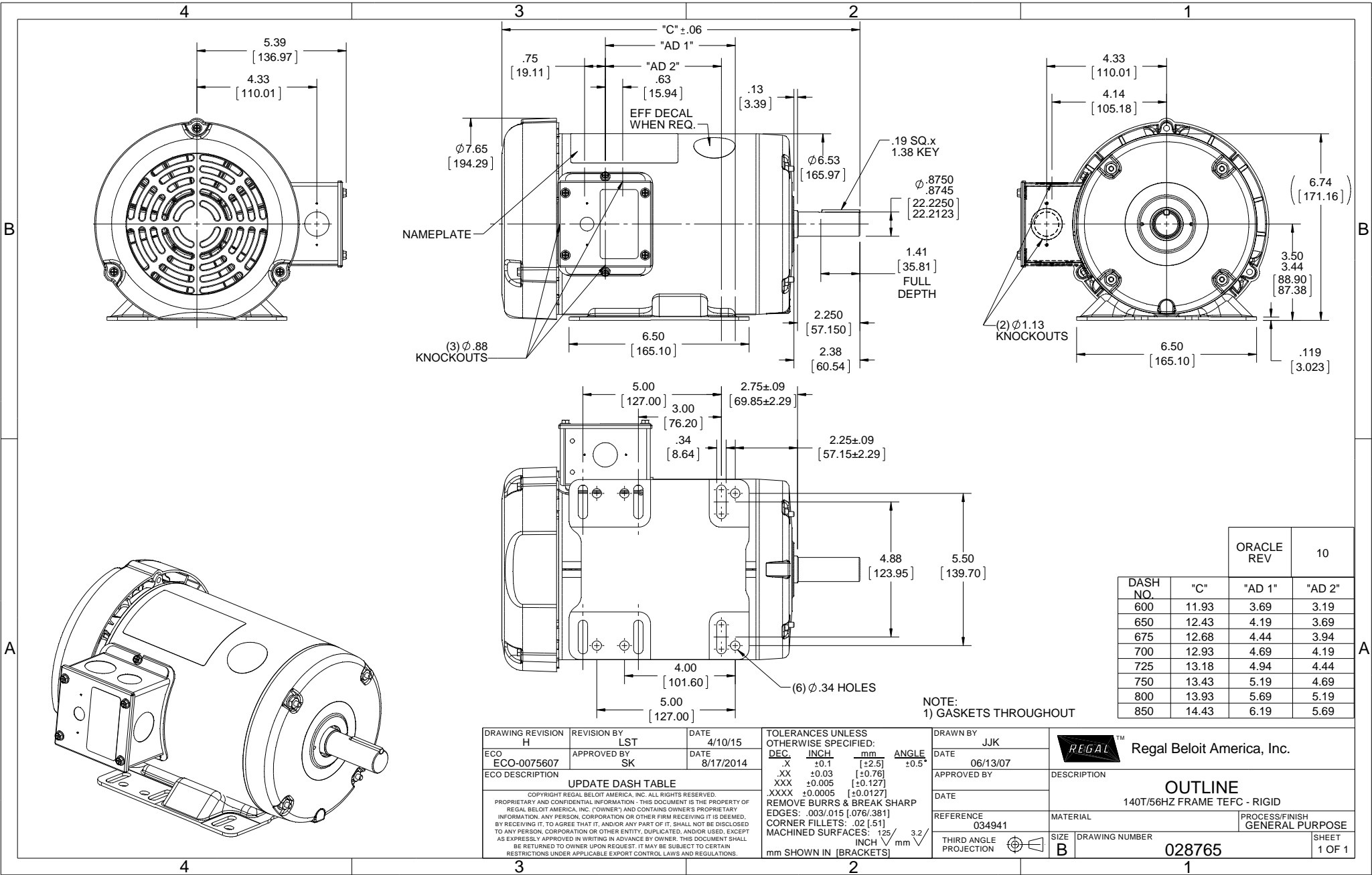
Nameplate Specifications

Output HP	1 Hp	Output KW	0.75 kW
Frequency	60 Hz	Voltage	200-208 V
Current	3.2-3.2 A	Speed	1760 rpm
Service Factor	1.15	Phase	3
Efficiency	85.5 %	Duty	Continuous
Insulation Class	F	Design Code	B
KVA Code	L	Frame	143T
Enclosure	Totally Enclosed Fan Cooled	Overload Protector	No
Ambient Temperature	40 °C	Drive End Bearing Size	6205
Opp Drive End Bearing Size	6203	UL	Recognized
CSA	Y	CE	Y
IP Code	43		

Technical Specifications

Electrical Type	Squirrel Cage Induction Run	Starting Method	Across The Line
Poles	4	Rotation	Reversible
Mounting	Rigid base	Motor Orientation	HORIZONTAL
Drive End Bearing	BALL	Opp Drive End Bearing	BALL
Frame Material	Rolled Steel	Shaft Type	T
Overall Length	12.93 in	Frame Length	7.00 in
Shaft Diameter	0.875 in	Shaft Extension	2.25 in
Assembly/Box Mounting	F1 ONLY		
Outline Drawing	028765-700	Connection Diagram	005102.01

This is an uncontrolled document once printed or downloaded and is subject to change without notice. Date Created: 10/15/2018



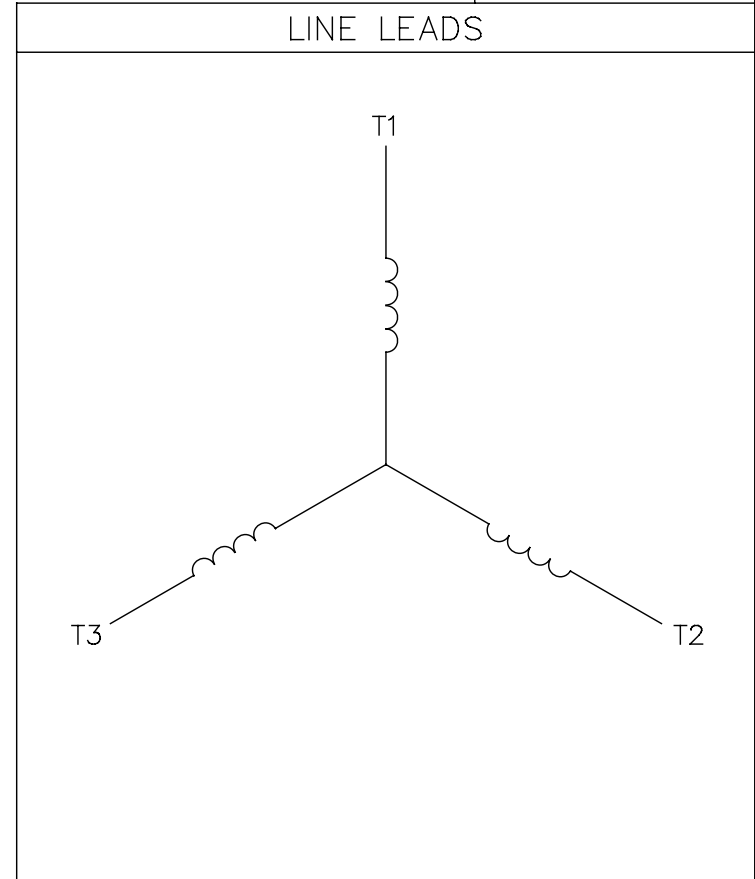
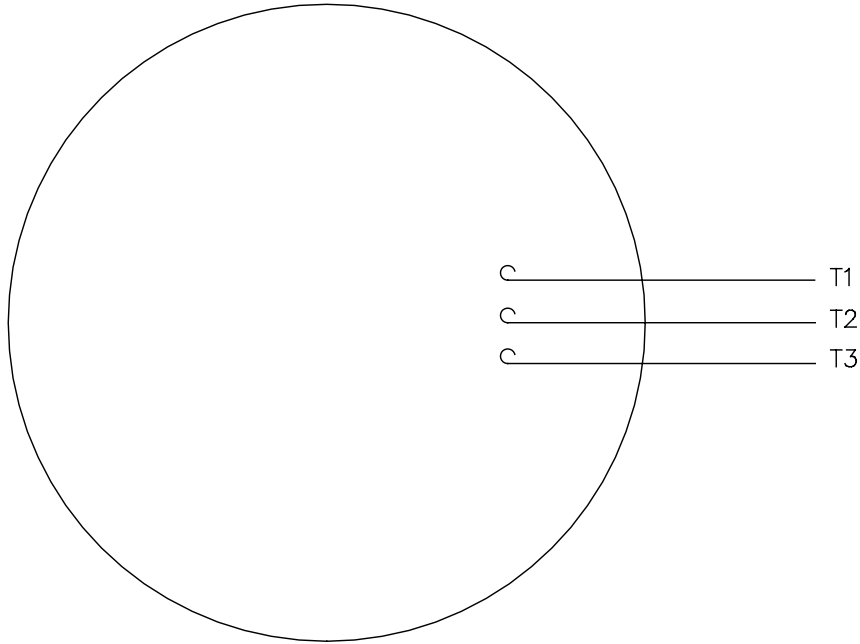
DASH NO.	"C"	"AD 1"	"AD 2"	ORACLE REV	10
600	11.93	3.69	3.19		
650	12.43	4.19	3.69		
675	12.68	4.44	3.94		
700	12.93	4.69	4.19		
725	13.18	4.94	4.44		
750	13.43	5.19	4.69		
800	13.93	5.69	5.19		
850	14.43	6.19	5.69		

NOTE:
1) GASKETS THROUGHOUT

DRAWING REVISION H	REVISION BY LST	DATE 4/10/15	TOLERANCES UNLESS OTHERWISE SPECIFIED: DEC INCH mm ANGLE .X ±0.1 [+2.5] ±0.5° .XX ±0.03 [+0.76] .XXX ±0.005 [+0.127] .XXXX ±0.0005 [+0.0127]	DRAWN BY JJK	Regal Beloit America, Inc.
ECO ECO-0075607	APPROVED BY SK	DATE 8/17/2014	REMOVE BURRS & BREAK SHARP EDGES: .003/.015 [.076/.381] CORNER FILLETS: .02 [.51] MACHINED SURFACES: 125 INCH 3.2 mm SHOWN IN [BRACKETS]	DATE 06/13/07	
ECO DESCRIPTION UPDATE DASH TABLE				APPROVED BY	DESCRIPTION OUTLINE 140T/56HZ FRAME TEFC - RIGID
<small>COPYRIGHT REGAL BELOIT AMERICA, INC. ALL RIGHTS RESERVED. PROPRIETARY AND CONFIDENTIAL INFORMATION - THIS DOCUMENT IS THE PROPERTY OF REGAL BELOIT AMERICA, INC. (OWNER) AND CONTAINS OWNER'S PROPRIETARY INFORMATION. ANY PERSON, CORPORATION OR OTHER FIRM RECEIVING IT IS DEEMED, BY RECEIVING IT, TO AGREE THAT IT, AND/OR ANY PART OF IT, SHALL NOT BE DISCLOSED TO ANY PERSON, CORPORATION OR OTHER ENTITY, DUPLICATED, AND/OR USED, EXCEPT AS EXPRESSLY APPROVED IN WRITING IN ADVANCE BY OWNER. THIS DOCUMENT SHALL BE RETURNED TO OWNER UPON REQUEST. IT MAY BE SUBJECT TO CERTAIN RESTRICTIONS UNDER APPLICABLE EXPORT CONTROL LAWS AND REGULATIONS.</small>				DATE	MATERIAL
				REFERENCE 034941	PROCESS/FINISH GENERAL PURPOSE
				THIRD ANGLE PROJECTION	SIZE B
				DRAWING NUMBER 028765	SHEET 1 OF 1

005102-01

VIEW FROM OUTSIDE OF MOTOR AT SWITCH END.



CONNECT LEADS AS FOLLOWS
FOR FOUR CONDUCTOR CORD ()

CORD	L1 (RED)	L2 (WHITE)	L3 (BLACK)	(GREEN)
MOTOR	T1	T2	T3	GROUND

				TOLERANCES UNLESS SPECIFIED		Regal Beloit America, Inc.			DRAWN JRW 9/11/75	
				DEC.	INCHES				CHK	
				.X	±.1	EXTERNAL WIRING DIAGRAM TYPE "T" W/O PROTECTOR		APPD JCW 9/11/75		
08	UPDATED TO REGAL LOGO	SAJ 06/26/15	AJY	.XX	±.01			SCALE 1=1		
07	UPDATED TO CURRENT STANDARDS	DBT 5/30/97		.XXX	±.005			REF W-T6343-6		
06	REDRAWN ON CAD; ADDED DECAL NUMBER	SAW 1/24/95		.XXXX	±.0005			FMF 6T17FB7		
NO.	REVISION	BY & DATE	CHK	ANG	±1/2"	FINISH		PREV		
THIS DRAWING IN DESIGN AND DETAIL IS OUR PROPERTY AND MUST NOT BE USED EXCEPT IN CONNECTION WITH OUR WORK ALL RIGHTS OF DESIGN AND INVENTION ARE RESERVED THIS IS AN ELECTRONICALLY GENERATED DOCUMENT - DO NOT SCALE THIS PRINT				RFP 5/1/02		CAD FILE 00510201		SIZE	DRAWING NO.	
				DIST BRF-NLV				A	005102-01	



P.O. BOX 8003
WAUSAU, WI 54401-8003
PH. 715-675-3311

CERTIFICATION DATA SHEET

DATA VOLTS: 460

CONN. DIAGRAM: 005102.01
OUTLINE: 028765-700
WINDING: T634342

CAT #: 122231.00

FR 2

TYPICAL MOTOR PERFORMANCE DATA

HP	KW	SYNC RPM	FL RPM	FRAME	ENCLOSURE	TYPE	KVA CODE	DESIGN	
1	0.75	1800	1760	143T	TEFC	TFR	N	B	
PH	HZ	VOLTS	AMPS	START TYPE	DUTY	INSL	S.F.	AMB	ELEV.
3	60	200-208	3.2-3.2	ACROSS THE LINE	CONT	F	1.15	40	3300
F.L. EFF	F.L. PF	3/4 LD EFF	3/4 LD PF	1/2 LD EFF	1/2 LD PF	GTD EFF	ELECT. TYPE		
85.5	68.5	85.4	61.5	79.6	51.5	0.0	SQ CAGE IND RUN		
F.L. TORQUE	LR AMPS @ 460 V	L.R. TORQUE	B.D. TORQUE	F.L. RISE (°C)					
3.0 LB-FT	31.0	12.0 LB-FT	400%	15.8 LB-FT	527%			38	
PRESSURE @ 3	POWER	ROTOR WK²	MAX LOAD WK²	SAFE STALL TIME	STARTS/HOUR	MOTOR WGT			
65 DBA	74 DBA	0.12 LB-FT²	0 LB-FT²	10 SEC.	0	0 LB.			

*** SUPPLEMENTAL INFORMATION ***

DE BRACKET TYPE	ODE BRACKET TYPE	MOUNT TYPE	MOTOR ORIENTATION	SEVERE DUTY	HAZARDOUS LOCATION	DRIP COVER	SCREENS	PAINT
STANDARD	STANDARD	RIGID	HORIZONTAL	NO	NONE	NO	NONE	N - LEESON WATTS
BEARINGS	GREASE	SHAFT TYPE	SPECIAL DE	SPECIAL ODE	SHAFT	MATERIAL	FRAME MATERIAL	
BALL BALL 6205	POLYREX EM 6203	T	NONE	NONE	1144 STRESSPROOF (C-223)		ROLLED STEEL	

THERMOSTATS	PROTECTORS	WDG RTD's	BRG RTD's	THERMISTORS	CONTROL	SPACE HEATERS
NONE	NOT	NONE	NONE	NONE	FALSE	NA
R1 (ohms/ph)	R2 (ohms/ph)	X1 (ohms/ph)	X2 (ohms/ph)	Xm (ohms/ph)	VIBRATION (in/sec)	FLOAT
0	0	0	0	0	0.150	ODE

* INVERTER TORQUE: NONE	
* INV. HP SPEED RANGE: NONE	
ENCODER: NONE	
BRAKE: NONE	
FT-LB: NA	
VOLTAGE: NONE	
HZ: NONE	

DATE: 1/23/2018	UL: Y-(LEESON UL REC)
-----------------	-----------------------

Data Sheet

Date: 1/23/2018

122231.00



Data @ 208 V

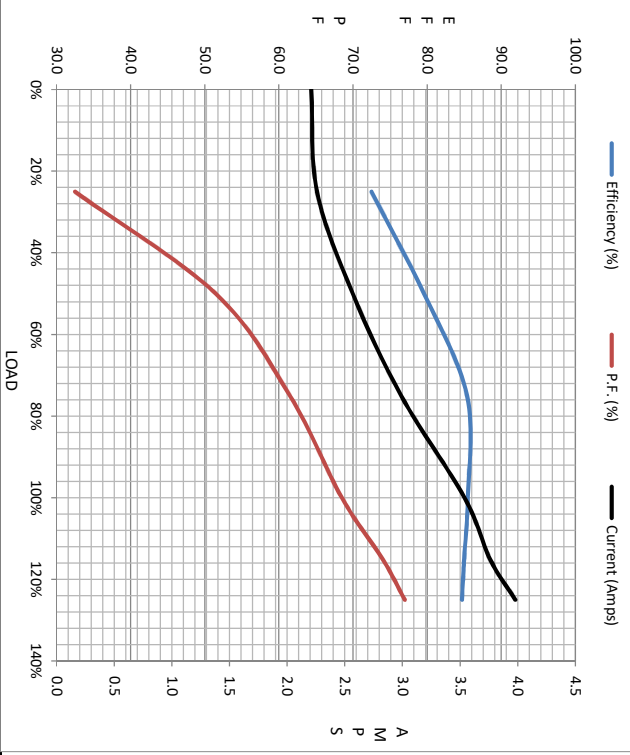
Motor Load Data						Data @ 208 V			
Load	0%	25%	50%	75%	100%	115%	125%	LR	
Current (Amps)	2.21	2.26	2.57	2.99	3.5	3.8	4.0	31.0	
Torque (ft-lb)	0.00	0.75	1.50	2.25	3.0	3.5	3.8	12.0	
RPM	1800	1789	1779	1769	1760	1750	1745	0	
Efficiency (%)		72.5	79.6	85.4	85.5	85.0	84.7		
P.F. (%)	8.0	32.5	51.5	61.5	68.5	74.0	77.0	41.0	

Motor Speed Data

	LR	Pull-Up	BD	Rated	Idle
Speed (RPM)	0	900	1170	1760	1800
Current (Amps)	31.0	28.8	21.9	3.5	2.21
Torque (ft-lb)	12.0	11.9	15.8	3.0	0.00

Information Block

HP	1.0			
Sync. RPM	1800			
Frame	140			
Enclosure	TEFC			
Construction	TFR			
Voltage	200-208 V			
Frequency	60 Hz			
Design	B			
LR Code letter	N			
Service Factor	1.15			
Temp Rise @ FL	38 °C			
Duty	CONT			
Ambient	40 °C			
Elevation	1,000 feet			
Rotor/Shaft wk²	0.12 LB-Ft²			
Ref Wdg	T634342 FR			
Sound Pressure @ 1M	65 dbA			
VFD Rating	NONE			
Outline Dwg	028765-700			
Conn. Diag	005102.01			
Additional Specifications:				
EQUIV CKT (OHMS / PHASE)				
R1	R2	X1	X2	Xm
0.0000	0.0000	0.0000	0.0000	0.0000



Speed - Torque Curve

