

PRODUCT INFORMATION PACKET



Model No: 122111.00
Catalog No: 122111.00
2 HP Close-Coupled Pump Motor, 3 phase, 3600 RPM, 230/460 V, 145JP Frame, TEFC
JP Motors



Regal and Leeson are trademarks of Regal Beloit Corporation or one of its affiliated companies.
©2019 Regal Beloit Corporation, All Rights Reserved. MC017097E

The Regal logo is located in the bottom right corner. It features the word "REGAL" in a white, sans-serif font, set against a dark grey, trapezoidal background. The background of the entire page on the right side is a blue gradient with a fine, repeating pattern.



Nameplate Specifications

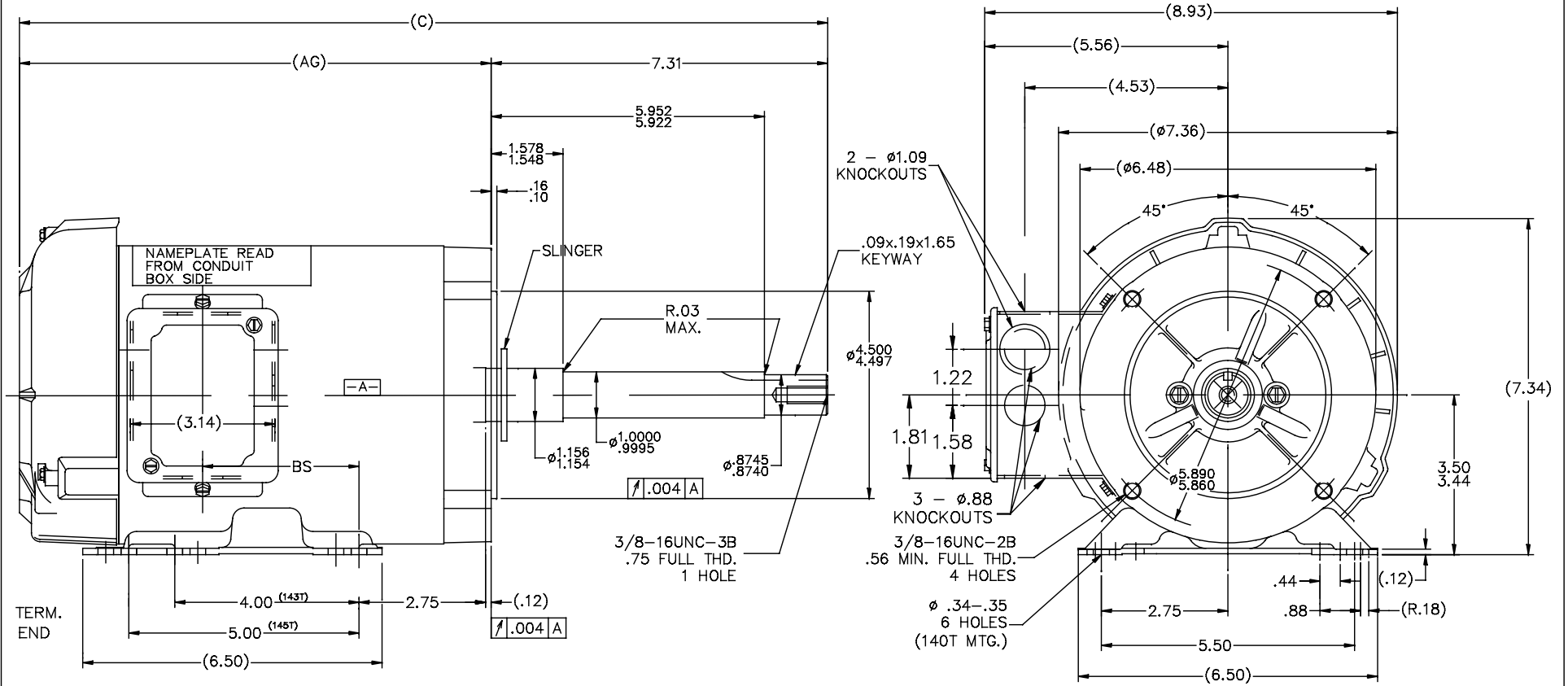
Output HP	2 Hp	Output KW	1.5 kW
Frequency	60 Hz	Voltage	230/460 V
Current	5.0/2.5 A	Speed	3500 rpm
Service Factor	1.15	Phase	3
Efficiency	85.5 %	Power Factor	86
Duty	Continuous	Insulation Class	F
Design Code	B	KVA Code	K
Frame	145JP	Enclosure	Totally Enclosed Fan Cooled
Thermal Protection	No	Ambient Temperature	40 °C
Drive End Bearing Size	6206	Opp Drive End Bearing Size	6203
UL	Recognized	CSA	Y
CE	Y	IP Code	43

Technical Specifications

Electrical Type	Squirrel Cage Inverter Rated	Starting Method	Line Or Inverter
Poles	2	Rotation	Reversible
Resistance Main	7.1 Ohms	Mounting	Rigid Base
Motor Orientation	Horizontal Or Shaft Down	Drive End Bearing	Ball
Opp Drive End Bearing	Ball	Frame Material	Rolled Steel
Shaft Type	JP	Overall Length	19.63 in
Frame Length	9.06 in	Shaft Diameter	0.875 in
Shaft Extension	7.31 in	Assembly/Box Mounting	F1 ONLY

This is an uncontrolled document once printed or downloaded and is subject to change without notice. Date Created:01/11/2019

100134



DASH	C	AG	BS
706	17.63	10.32	3.44
756	18.13	10.82	3.94
806	18.63	11.32	4.44
856	19.13	11.82	4.94
906	19.63	12.32	5.44
956	20.13	12.82	5.94

NOTE:
CONDUIT BOX CAN BE ROTATED 180°

TOLERANCES UNLESS SPECIFIED		REGAL™ Regal Beloit America, Inc.		DRAWN DT 05-30-96	
DEC.	INCHES	CHK	KL 06-06-96	APPD	ML 06-06-96
.X	±.1				
.XX	±.02				
.XXX	±.005	TITLE OUTLINE - TEFC			
.XXXX	±.0005	140 FR. - 3 ϕ -BB -C'FACE -JP EXT.			
NO.	REVISION	BY & DATE	CHK	ANG	FINISH
8	CORRECTED 'C' DIM'S ON 27400-502	BLR 0-28-99	.XXX	±.005	MATL
7	REDRAWN ON CADD, REVISED 'AG' DIM.	DT 06-06-96	.XXXX	±.0005	FINISH
THIS DRAWING IN DESIGN AND DETAIL IS OUR PROPERTY AND MUST NOT BE USED EXCEPT IN CONNECTION WITH OUR WORK. ALL RIGHTS OF DESIGN AND INVENTION ARE RESERVED. THIS IS AN ELECTRONICALLY GENERATED DOCUMENT - DO NOT SCALE THIS PRINT		RFP	ANG	±.750"	FINISH
		DIST	WP	CAD FILE 100134	SIZE
				B	DRAWING NO.
				100134	
				REV.	
				8	

