

PRODUCT INFORMATION PACKET



Model No: 122105.00

Catalog No: 122105.00

1 HP Close-Coupled Pump Motor, 3 phase, 1800 RPM, 230/460 V, 143JP Frame, TEFC
JP Motors



Regal and Leeson are trademarks of Regal Beloit Corporation or one of its affiliated companies.

©2019 Regal Beloit Corporation, All Rights Reserved. MC017097E

The Regal logo is located in the bottom right corner. It features the word "REGAL" in a white, bold, sans-serif font, set against a dark grey, trapezoidal background. The background of the entire page on the right side is a blue gradient with a halftone dot pattern.



Nameplate Specifications

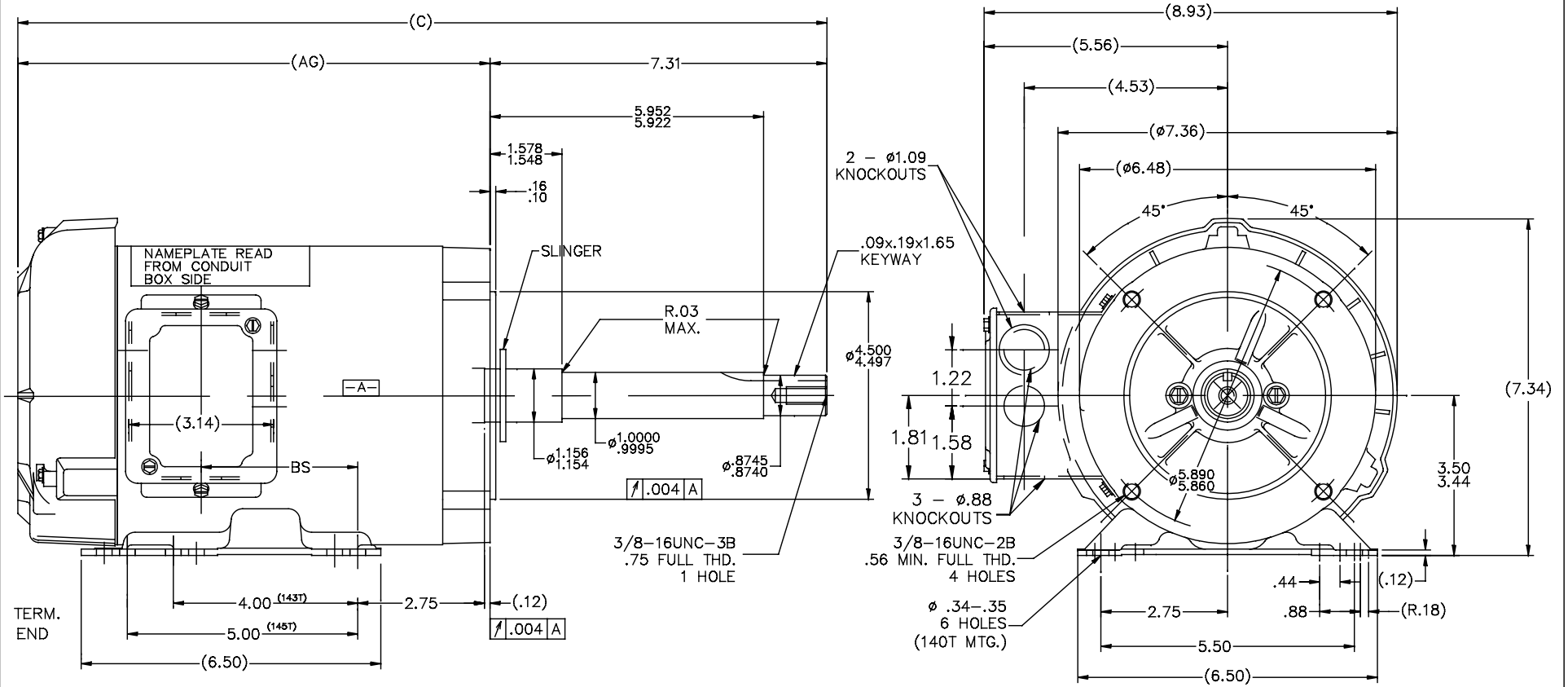
Output HP	1 Hp	Output KW	0.75 kW
Frequency	60 Hz	Voltage	230/460 V
Current	3.3/1.7 A	Speed	1765 rpm
Service Factor	1.15	Phase	3
Efficiency	85.5 %	Power Factor	68
Duty	Continuous	Insulation Class	F
Design Code	B	KVA Code	P
Frame	143JP	Enclosure	Totally Enclosed Fan Cooled
Thermal Protection	No	Ambient Temperature	40 °C
Drive End Bearing Size	6206	Opp Drive End Bearing Size	6203
UL	Recognized	CSA	Y
CE	Y	IP Code	43

Technical Specifications

Electrical Type	Squirrel Cage Inverter Rated	Starting Method	Line Or Inverter
Poles	4	Rotation	Reversible
Resistance Main	11.8 Ohms	Mounting	Rigid base
Motor Orientation	Horizontal Or Shaft Down	Drive End Bearing	Ball
Opp Drive End Bearing	Ball	Frame Material	Rolled Steel
Shaft Type	JP	Overall Length	19.13 in
Frame Length	8.56 in	Shaft Diameter	0.875 in
Shaft Extension	7.31 in	Assembly/Box Mounting	F1 Only

This is an uncontrolled document once printed or downloaded and is subject to change without notice. Date Created:01/11/2019

100134



DASH	C	AG	BS
706	17.63	10.32	3.44
756	18.13	10.82	3.94
806	18.63	11.32	4.44
856	19.13	11.82	4.94
906	19.63	12.32	5.44
956	20.13	12.82	5.94

NOTE:
CONDUIT BOX CAN BE ROTATED 180°

		TOLERANCES UNLESS SPECIFIED		DRAWN DT 05-30-96					
		DEC.	INCHES	CHK	KL 06-06-96				
		.X	±.1		APPD ML 06-06-96				
		.XX	±.02		SCALE 5-9				
8	CORRECTED 'C' DIM'S ON 27400-502	BLR	0-28-99	.XXX	±.005	TITLE OUTLINE - TEFC 140 FR. - 3ø -BB -C'FACE -JP EXT.			
7	REDRAWN ON CADD, REVISED 'AG' DIM.	DT	06-06-96	.XXXX	±.0005	REF			
NO.	REVISION	BY	DATE	CHK	ANG	±7'30"	MAT'L	FINISH	PREV
THIS DRAWING IN DESIGN AND DETAIL IS OUR PROPERTY AND MUST NOT BE USED EXCEPT IN CONNECTION WITH OUR WORK. ALL RIGHTS OF DESIGN AND INVENTION ARE RESERVED. THIS IS AN ELECTRONICALLY GENERATED DOCUMENT - DO NOT SCALE THIS PRINT.				RFP		CAD FILE 100134	SIZE	DRAWING NO.	REV.
				DIST	WP		B	100134	8



