

# PRODUCT INFORMATION PACKET



Model No: C145T34DC16AA

Catalog No: 122103.00

..3HP..3600RPM.145JPV.ODP.230/460V.3HP.60/50HZ.CONT.40C..C-FACE.....  
JP



Regal and Leeson are trademarks of Regal Beloit Corporation or one of its affiliated companies.

©2018 Regal Beloit Corporation, All Rights Reserved. MC017097E





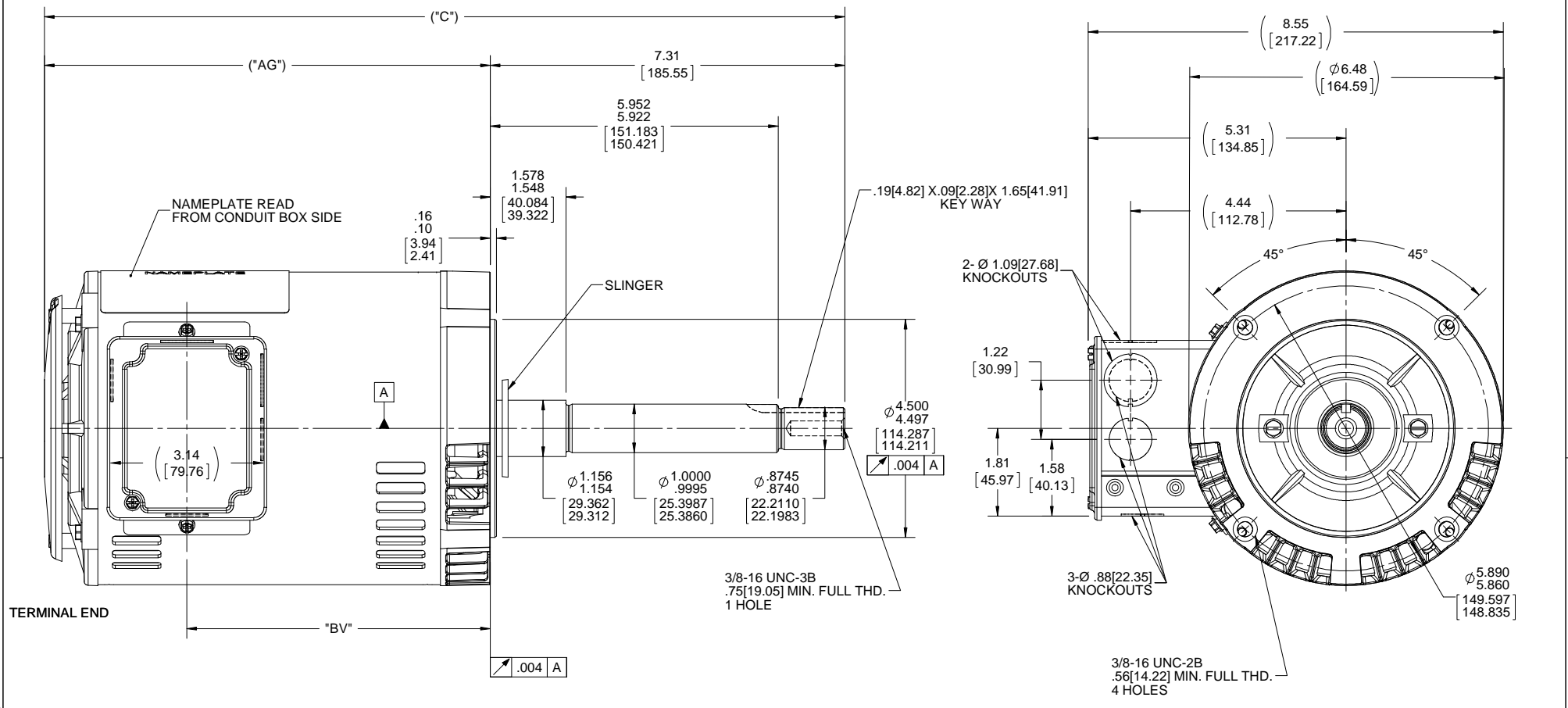
### Nameplate Specifications

Output HP	<b>3 Hp</b>	Output KW	<b>2.2 kW</b>
Frequency	<b>60 Hz</b>	Voltage	<b>230/460 V</b>
Current	<b>7.6/3.8 A</b>	Speed	<b>3510 rpm</b>
Service Factor	<b>1.15</b>	Phase	<b>3</b>
Efficiency	<b>87.5 %</b>	Duty	<b>Continuous</b>
Insulation Class	<b>F</b>	Design Code	<b>B</b>
KVA Code	<b>M</b>	Frame	<b>145JPV</b>
Enclosure	<b>Drip Proof</b>	Overload Protector	<b>No</b>
Ambient Temperature	<b>40 °C</b>	Drive End Bearing Size	<b>6206</b>
Opp Drive End Bearing Size	<b>6203</b>	UL	<b>Recognized</b>
CSA	<b>Y</b>	CE	<b>Y</b>
IP Code	<b>22</b>		

### Technical Specifications

Electrical Type	<b>Squirrel Cage Inverter Rated</b>	Starting Method	<b>Line Or Inverter</b>
Poles	<b>2</b>	Rotation	<b>Reversible</b>
Mounting	<b>Round</b>	Motor Orientation	<b>HORIZONTAL OR SHAFT DOWN</b>
Drive End Bearing	<b>BALL</b>	Opp Drive End Bearing	<b>BALL</b>
Frame Material	<b>Rolled Steel</b>	Shaft Type	<b>JP</b>
Overall Length	<b>18.48 in</b>	Frame Length	<b>9.06 in</b>
Shaft Diameter	<b>1.000 in</b>	Shaft Extension	<b>7.31 in</b>
Assembly/Box Mounting	<b>F1 ONLY</b>		
Outline Drawing	<b>A-100231-906</b>	Connection Diagram	<b>A-EE7308</b>

**This is an uncontrolled document once printed or downloaded and is subject to change without notice. Date Created: 10/15/2018**



NOTE:  
CONDUIT BOX CAN BE ROTATED IN 180° STEPS.

DASH NO.	"C"	"AG"	"BV"
656	15.99[406.14]	8.69[220.72]	5.75[146.05]
706	16.49[418.84]	9.19[233.42]	6.25[158.75]
756	16.99[431.54]	9.69[246.12]	6.75[171.45]
806	17.49[444.24]	10.19[258.82]	7.25[184.15]
856	17.99[456.94]	10.69[271.52]	7.75[196.85]
906	18.49[469.64]	11.19[284.22]	8.25[209.55]

DRAWING REVISION H	REVISION BY A. KEETHA	DATE 02/12/2018
ECO ECO-0143026	APPROVED BY PST	DATE 04/11/2018
ECO DESCRIPTION OUTLINE CONVERSION PROJECT		
<small>COPYRIGHT REGAL BELOIT AMERICA, INC. ALL RIGHTS RESERVED.          PROPRIETARY AND CONFIDENTIAL INFORMATION - THIS DOCUMENT IS THE PROPERTY OF          REGAL BELOIT AMERICA, INC. ("OWNER") AND CONTAINS OWNER'S PROPRIETARY          INFORMATION. ANY PERSON, CORPORATION OR OTHER FIRM RECEIVING IT IS DEEMED,          BY RECEIVING IT, TO AGREE THAT IT, AND/OR ANY PART OF IT, SHALL NOT BE DISCLOSED          TO ANY PERSON, CORPORATION OR OTHER ENTITY, DUPLICATED, AND/OR USED, EXCEPT          AS EXPRESSLY APPROVED IN WRITING IN ADVANCE BY OWNER. THIS DOCUMENT SHALL          BE RETURNED TO OWNER UPON REQUEST. IT MAY BE SUBJECT TO CERTAIN          RESTRICTIONS UNDER APPLICABLE EXPORT CONTROL LAWS AND REGULATIONS.</small>		

TOLERANCES UNLESS OTHERWISE SPECIFIED:		
DEC.	INCH	mm
.X	+0.1	[+2.5]
.XX	+0.03	[+0.76]
.XXX	+0.005	[+0.127]
.XXXX	+0.0005	[+0.0127]
REMOVE BURRS & BREAK SHARP EDGES: .003/.015 [0.076/.381] X 45°		
CORNER FILLETS: R.02 [51]		
MACHINED SURFACES: 200 INCH 5.1 mm		
mm SHOWN IN [BRACKETS]		

DRAWN BY BRH	DATE 10-24-1995
APPROVED BY GK	DATE 11-16-1995
REFERENCE 100231	THIRD ANGLE PROJECTION

Regal Beloit America, Inc.	
DESCRIPTION OUTLINE 140 FRAME-BB-DR-PR-3Ø-C'FACE-JP EXT	
MATERIAL	PROCESS/FINISH
SIZE B	DRAWING NUMBER 100231
SHEET 1 OF 1	

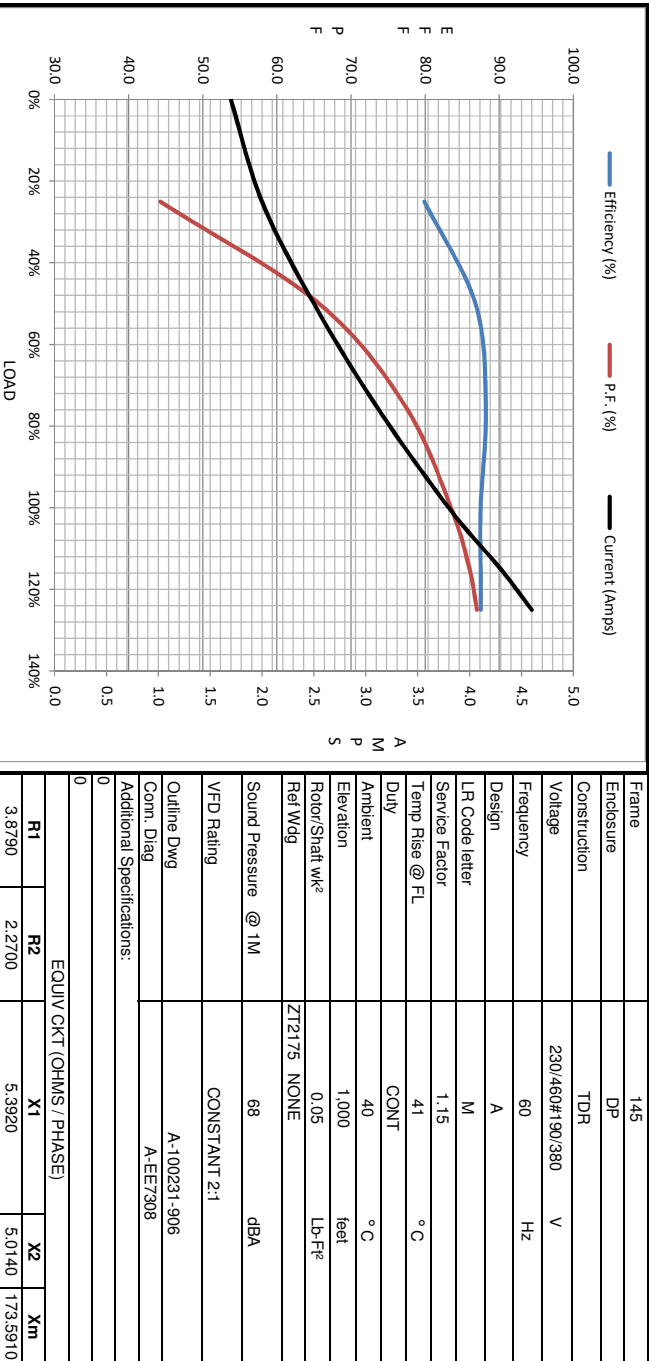


NO.	REVISION	BY & DATE	CHK	ANG	TOLERANCES UNLESS SPECIFIED		FINISH	DRAWN RM 11/20/1990				
					DEC.	INCHES						
5	CHG TO REGAL LOGO	SL 09/10/2015	AB					CHK ML 11/21/1990				
4	REVISED IEC NOTATIONS	MSG 11/15/2011	CMN	.X	±.1			APPD SAS 04/24/2003				
3	ADDED IEC NOTATIONS... (U1), (V1) ETC. MU95194	MSG 5/10/2010	MJS	.XX	±.02			SCALE 1=1				
2	ADDED THE OPTIONAL CORD CONNECTION MU46318	RDH 04/24/2003	DRS	.XXX	±.005		TITLE CONNECTION DIAGRAM 3Ø - DUAL VOLTAGE MOTOR	REF				
1	REDRAWN	RM 11/20/1990		.XXXX	±.0005		MAT'L.	FMF				
					±'7'30"			PREV				
THIS DRAWING IN DESIGN AND DETAIL IS OUR PROPERTY AND MUST NOT BE USED EXCEPT IN CONNECTION WITH OUR WORK ALL RIGHTS OF DESIGN AND INVENTION ARE RESERVED THIS IS AN ELECTRONICALLY GENERATED DOCUMENT - DO NOT SCALE THIS PRINT							RFP	CAD FILE ee7308	SIZE A	DRAWING NO. EE7308	PAGE OF 5	REV. 5
							DIST WP					



Motor Load Data									
Load	0%	25%	50%	75%	100%	115%	125%	LR	
Current (Amps)	1.70	2.00	2.50	3.1	3.8	4.3	4.6	41.1	
Torque (ft-lb)	0.00	1.10	2.21	3.3	4.5	5.2	5.7	17.8	
RPM	3600	3580	3560	3535	3510	3495	3485	0	
Efficiency (%)		79.9	86.8	88.2	87.5	87.5	87.5		
P.F. (%)	10.9	44.3	65.7	77.3	83.5	86.0	87.0	65.4	

Motor Speed Data						Information Block																		
LR	Pull-Up	BD	Rated	Idle		HP	Sync. RPM	Frame	Enclosure	Construction	Voltage	Frequency	Design	LR Code letter	Service Factor	Temp Rise @ FL	Duty	Ambient	Elevation	Rotor/Shaft wk <sup>2</sup>	Rel Wdg	Sound Pressure @ 1M	VFD Rating	
						3.0	3600	145	DP	TDR	230/460#190/380	60	A	M	1.15	41	CONT	40	1,000	0.05	Z12175 NONE	68	CONSTANT 2:1	
Speed (RPM)	0	255	2310	3510	3600																			
Current (Amps)	41.1	40.4	29.8	3.8	1.70																			
Torque (ft-lb)	17.8	15.7	23.2	4.5	0.00																			



EQUIV CKT (OHMS / PHASE)			
R1	R2	X1	Xm
3.8/90	2.2/00	5.39/20	5.01/40 173.59/10

