

PRODUCT INFORMATION PACKET



Model No: C145T17DK25AA
Catalog No: 122097.00
..1.5..1800.145JP.DP.230/460.3.60/50HZ.CONT.40C..RIGID C-FACE.....
JP



Regal and Leeson are trademarks of Regal Beloit Corporation or one of its affiliated companies.
©2018 Regal Beloit Corporation, All Rights Reserved. MC017097E





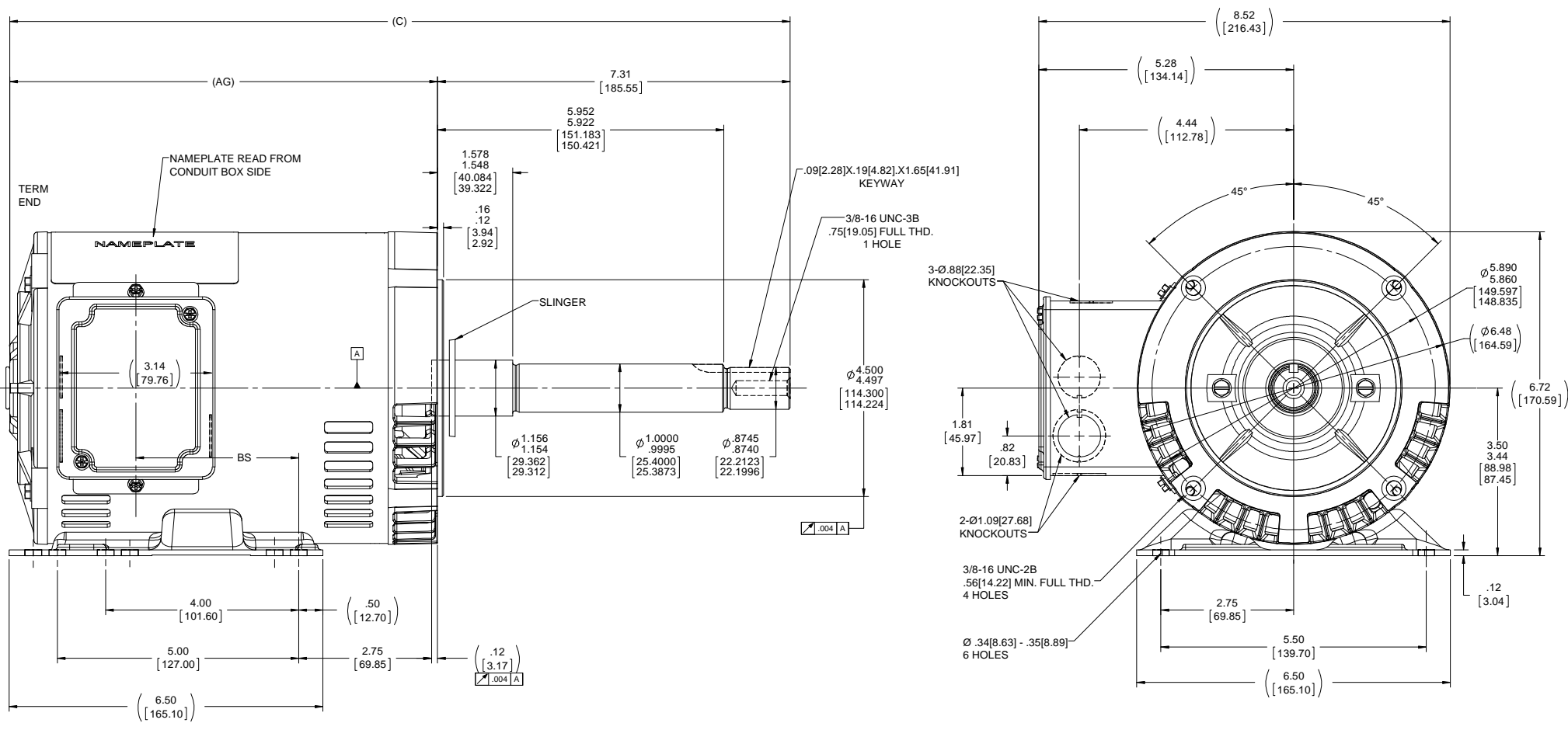
Nameplate Specifications

| | | | |
|----------------------------|------------|------------------------|------------|
| Output HP | 1.50 Hp | Output KW | 1.1 kW |
| Frequency | 60 Hz | Voltage | 230/460 V |
| Current | 4.4/2.2 A | Speed | 1755 rpm |
| Service Factor | 1.15 | Phase | 3 |
| Efficiency | 86.5 % | Duty | Continuous |
| Insulation Class | F | Design Code | B |
| KVA Code | M | Frame | 145JP |
| Enclosure | Drip Proof | Overload Protector | No |
| Ambient Temperature | 40 °C | Drive End Bearing Size | 6206 |
| Opp Drive End Bearing Size | 6203 | UL | Recognized |
| CSA | Y | CE | Y |
| IP Code | 22 | | |

Technical Specifications

| | | | |
|-----------------------|------------------------------|-----------------------|------------------|
| Electrical Type | Squirrel Cage Inverter Rated | Starting Method | Line Or Inverter |
| Poles | 4 | Rotation | Reversible |
| Mounting | Rigid base | Motor Orientation | HORIZONTAL |
| Drive End Bearing | BALL | Opp Drive End Bearing | BALL |
| Frame Material | Rolled Steel | Shaft Type | JP |
| Overall Length | 18.18 in | Frame Length | 9.06 in |
| Shaft Diameter | 0.875 in | Shaft Extension | 7.28 in |
| Assembly/Box Mounting | F1 ONLY | | |
| Outline Drawing | A-100132-906 | Connection Diagram | A-EE7308 |

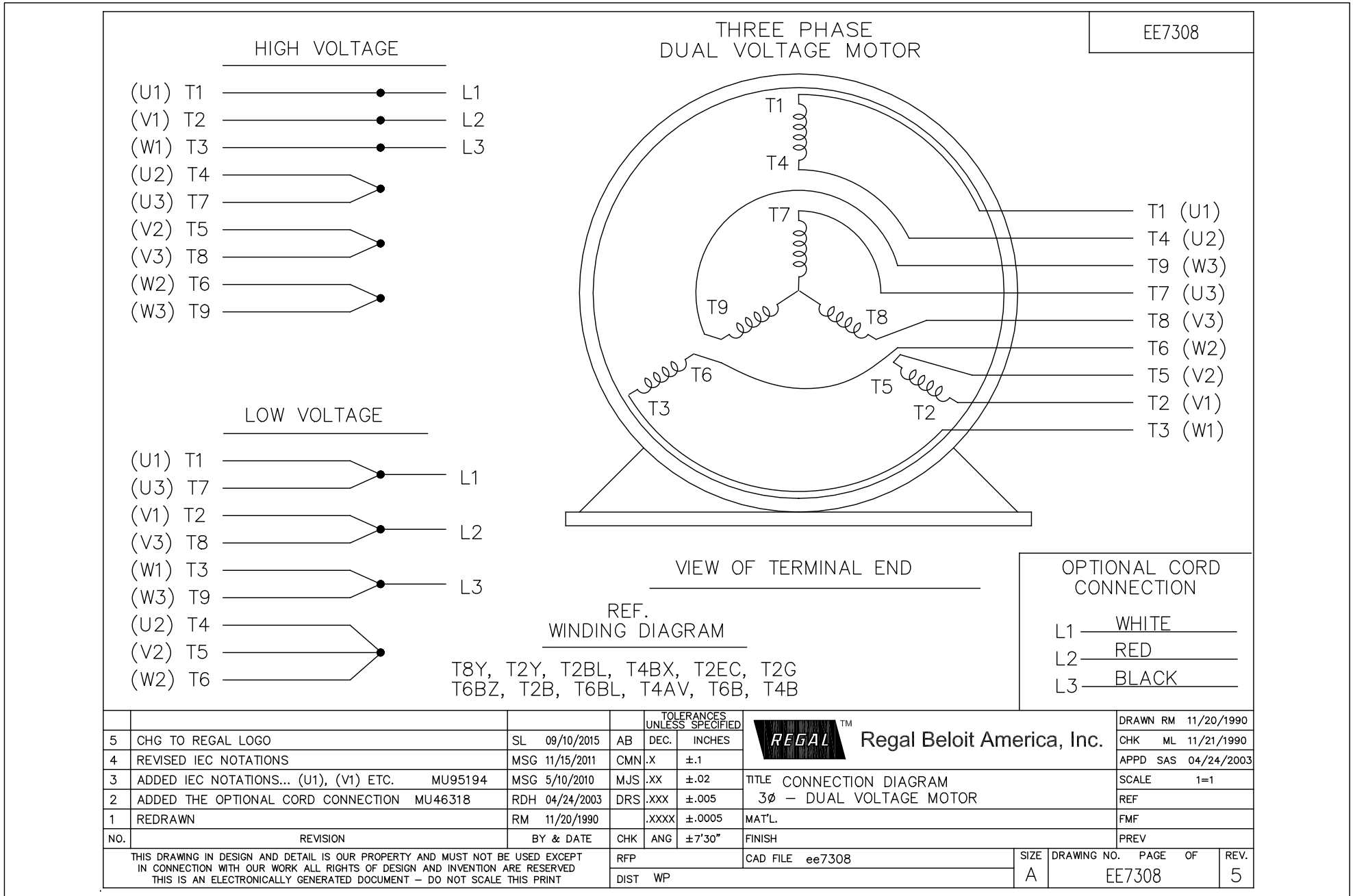
This is an uncontrolled document once printed or downloaded and is subject to change without notice. Date Created: 10/15/2018



| DASH NO. | "C" | "AG" | "BS" |
|----------|---------------|---------------|--------------|
| 706 | 16.17[410.71] | 8.87[225.29] | 3.37[85.59] |
| 756 | 16.67[423.41] | 9.37[237.99] | 3.87[98.29] |
| 806 | 17.17[436.11] | 9.87[250.69] | 4.37[110.99] |
| 856 | 17.67[448.81] | 10.37[263.39] | 4.87[123.69] |
| 906 | 18.17[461.51] | 10.87[276.09] | 5.37[136.39] |

NOTES:
CONDUIT BOX CAN BE ROTATED IN 180° STEPS.

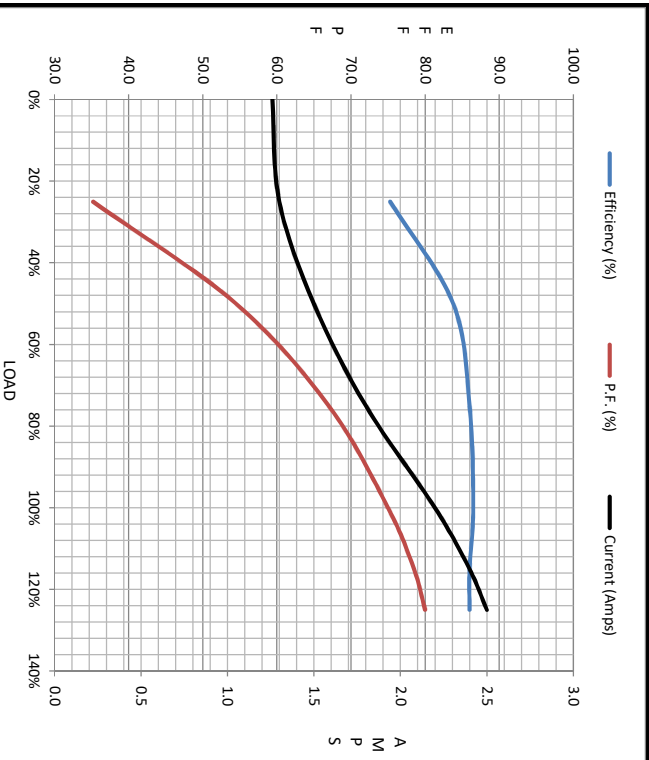
| | | | | | | | | | |
|--|---------------------------------|----------------------------------|---|--------------------|--------------------|-------------------|--------------------------|---|----------------|
| DRAWING REVISION N ECO-0143026 | REVISION BY A. KEETHA PST | DATE 12/29/2017 04/11/2018 | TOLERANCES UNLESS OTHERWISE SPECIFIED: FRACTIONS: .001, .005, .010, .015, .030, .063, .125, .250, .500, 1.000 DECIMALS: .01, .03, .05, .10, .15, .30, .50, 1.00 ANGLES: 30°, 45°, 60°, 90° | DRAWN BY BRH | DATE 11/02/1995 | APPROVED BY GK | DESCRIPTION OUTLINE | MATERIAL 140 FR.-BB-DR-PR.-3B-C-FACE-3P-EXT. | PROCESS/FINISH |
| <small>REGAL BELOIT AMERICA, INC. IS A DIVISION OF REGAL BELOIT CORPORATION. ALL DIMENSIONS ARE IN INCHES AND DECIMALS THEREOF UNLESS OTHERWISE SPECIFIED. DIMENSIONS ARE GIVEN IN PARENTHESES. DIMENSIONS ARE TO BE TAKEN TO THE CENTER OF THE DIMENSION LINE UNLESS OTHERWISE SPECIFIED. DIMENSIONS ARE TO BE TAKEN TO THE CENTER OF THE DIMENSION LINE UNLESS OTHERWISE SPECIFIED. DIMENSIONS ARE TO BE TAKEN TO THE CENTER OF THE DIMENSION LINE UNLESS OTHERWISE SPECIFIED.</small> | | | | DATE 11/02/1995 | REFERENCE | SIZE D | DRAWING NUMBER 100132 | SHEET 1 OF 1 | |





| Motor Load Data | | | | | | |
|-----------------|------|------|------|------|------|------|
| Load | 0% | 25% | 50% | 75% | 100% | LR |
| Current (Amps) | 1.26 | 1.30 | 1.50 | 1.80 | 2.20 | 19.8 |
| Torque (ft-lb) | 0.00 | 1.10 | 2.20 | 3.4 | 4.5 | 16.7 |
| RPM | 1800 | 1788 | 1775 | 1755 | 1735 | 0 |
| Efficiency (%) | | 75.3 | 83.8 | 86.0 | 86.5 | |
| P.F. (%) | 9.3 | 35.2 | 54.5 | 67.0 | 75.0 | 68.0 |

| Motor Speed Data | | | | | | Information Block | | | | | | | | | | | | | | | | | | | | | | | | | | |
|------------------|---------|------|-------|------|--|-------------------|-----------|-------|-----------|--------------|-----------------|-----------|--------|----------------|----------------|----------------|------|---------|------------|-----------------|---------|---------------------|--------------|--------------|------------|----------------------------|--------------------------|--------|--------|--------|--------|----|
| LR | Pull-Up | BD | Rated | Idle | | HP | Sync. RPM | Frame | Enclosure | Construction | Voltage | Frequency | Design | LR Code letter | Service Factor | Temp Rise @ FL | Duty | Ambient | Elevation | Rotor/Shaft wk² | Ref Wdg | Sound Pressure @ 1M | VFD Rating | Outline Dwg | Conn. Diag | Additional Specifications: | EQUIV CKT (OHMS / PHASE) | R1 | R2 | X1 | X2 | Xm |
| 0 | 120 | 1220 | 1755 | 1800 | | 1.5 | 1800 | 145 | DP | TDR | 230/460#190/380 | 60 | A | M | 1.15 | 28 | CONT | 40 °C | 1,000 feet | 0.00 | NONE | 56 dB(A) | CONSTANT 2:1 | A-100132-906 | A-EE7308 | | 0.0000 | 0.0000 | 0.0000 | 0.0000 | 0.0000 | |



| LR | Pull-Up | BD | Rated | Idle |
|------|---------|------|-------|------|
| 0 | 120 | 1220 | 1755 | 1800 |
| 19.8 | 20.2 | 13.1 | 2.20 | 1.26 |
| 16.7 | 16.6 | 21.7 | 4.5 | 0.00 |

