

PRODUCT INFORMATION PACKET



Model No: C143T34DC8AA

Catalog No: 122096.00

..1.5HP..3600RPM.143JP.ODP.230/460V.3PH.60/50HZ.CONT.40C..C-FACE.....
JP



Regal and Leeson are trademarks of Regal Beloit Corporation or one of its affiliated companies.

©2018 Regal Beloit Corporation, All Rights Reserved. MC017097E





Nameplate Specifications

Output HP	1.50 Hp	Output KW	1.1 kW
Frequency	60 Hz	Voltage	230/460 V
Current	3.8/1.9 A	Speed	3515 rpm
Service Factor	1.15	Phase	3
Efficiency	86.5 %	Duty	Continuous
Insulation Class	F	Design Code	B
KVA Code	L	Frame	143JPV
Enclosure	Drip Proof	Overload Protector	No
Ambient Temperature	40 °C	Drive End Bearing Size	6206
Opp Drive End Bearing Size	6203	UL	Recognized
CSA	Y	CE	N
IP Code	22		

Technical Specifications

Electrical Type	Squirrel Cage Inverter Rated	Starting Method	Line Or Inverter
Poles	2	Rotation	Reversible
Mounting	Round	Motor Orientation	HORIZONTAL OR SHAFT DOWN
Drive End Bearing	BALL	Opp Drive End Bearing	BALL
Frame Material	Rolled Steel	Shaft Type	JP
Overall Length	17.98 in	Frame Length	8.56 in
Shaft Diameter	1.000 in	Shaft Extension	7.31 in
Assembly/Box Mounting	F1 ONLY		
Outline Drawing	A-100231-856	Connection Diagram	A-EE7308

This is an uncontrolled document once printed or downloaded and is subject to change without notice. Date Created: 10/15/2018

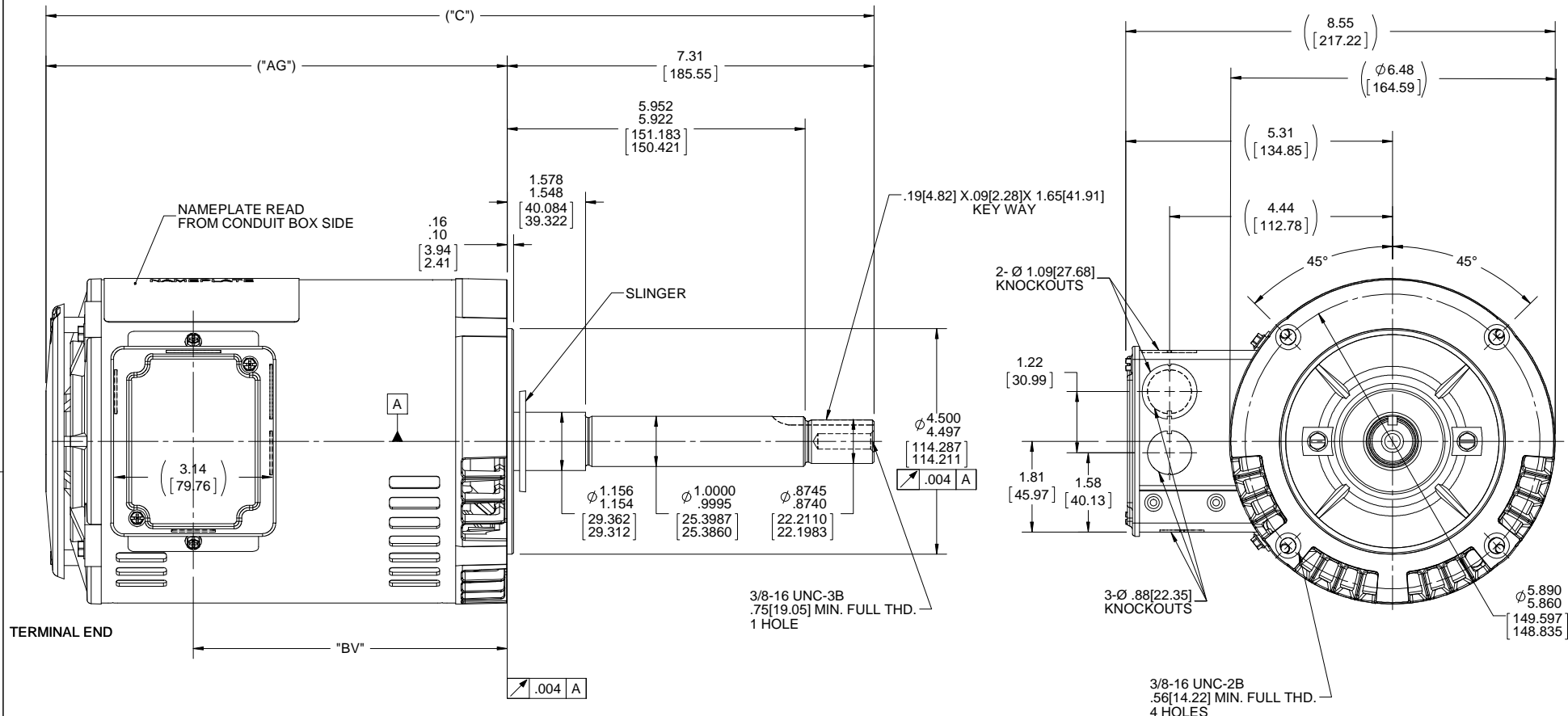
4

3

Uncontrolled Copy

2

1



NOTE: CONDUIT BOX CAN BE ROTATED IN 180° STEPS.

DASH NO.	"C"	"AG"	"BV"
656	15.99[406.14]	8.69[220.72]	5.75[146.05]
706	16.49[418.84]	9.19[233.42]	6.25[158.75]
756	16.99[431.54]	9.69[246.12]	6.75[171.45]
806	17.49[444.24]	10.19[258.82]	7.25[184.15]
856	17.99[456.94]	10.69[271.52]	7.75[196.85]
906	18.49[469.64]	11.19[284.22]	8.25[209.55]

DRAWING REVISION H	REVISION BY A. KEETHA	DATE 02/12/2018
ECO ECO-0143026	APPROVED BY PST	DATE 04/11/2018
ECO DESCRIPTION OUTLINE CONVERSION PROJECT		
<small>COPYRIGHT REGAL BELOIT AMERICA, INC. ALL RIGHTS RESERVED. PROPRIETARY AND CONFIDENTIAL INFORMATION - THIS DOCUMENT IS THE PROPERTY OF REGAL BELOIT AMERICA, INC. ("OWNER") AND CONTAINS OWNER'S PROPRIETARY INFORMATION. ANY PERSON, CORPORATION OR OTHER FIRM RECEIVING IT IS DEEMED, BY RECEIVING IT, TO AGREE THAT IT, AND/OR ANY PART OF IT, SHALL NOT BE DISCLOSED TO ANY PERSON, CORPORATION OR OTHER ENTITY, DUPLICATED, AND/OR USED, EXCEPT AS EXPRESSLY APPROVED IN WRITING IN ADVANCE BY OWNER. THIS DOCUMENT SHALL BE RETURNED TO OWNER UPON REQUEST. IT MAY BE SUBJECT TO CERTAIN RESTRICTIONS UNDER APPLICABLE EXPORT CONTROL LAWS AND REGULATIONS.</small>		

TOLERANCES UNLESS OTHERWISE SPECIFIED:		
DEC.	INCH	mm
.X	+0.1	[+2.5]
.XX	+0.03	[+0.76]
.XXX	+0.005	[+0.127]
.XXXX	+0.0005	[+0.0127]
REMOVE BURRS & BREAK SHARP EDGES: .003/.015 [.076/.381] X 45°		
CORNER FILLETS: R.02 [.51]		
MACHINED SURFACES: 200 INCH 5.1 mm		
mm SHOWN IN [BRACKETS]		

DRAWN BY BRH	DATE 10-24-1995
APPROVED BY GK	DATE 11-16-1995
REFERENCE 100231	THIRD ANGLE PROJECTION

Regal Beloit America, Inc.	
DESCRIPTION OUTLINE 140 FRAME-BB-DR-PR-3Ø-C'FACE-JP EXT	
MATERIAL	PROCESS/FINISH
SIZE B	DRAWING NUMBER 100231
SHEET 1 OF 1	

4

3

2

1



NO.		REVISION		BY & DATE		TOLERANCES UNLESS SPECIFIED		RFP	CAD FILE ee7308	SIZE	DRAWING NO.	PAGE OF	REV.
						DEC.	INCHES						
5	CHG TO REGAL LOGO	SL	09/10/2015	AB									
4	REVISED IEC NOTATIONS	MSG	11/15/2011	CMN	.X	±.1							
3	ADDED IEC NOTATIONS... (U1), (V1) ETC. MU95194	MSG	5/10/2010	MJS	.XX	±.02							
2	ADDED THE OPTIONAL CORD CONNECTION MU46318	RDH	04/24/2003	DRS	.XXX	±.005							
1	REDRAWN	RM	11/20/1990		.XXXX	±.0005							
					ANG	±7'30"							
THIS DRAWING IN DESIGN AND DETAIL IS OUR PROPERTY AND MUST NOT BE USED EXCEPT IN CONNECTION WITH OUR WORK ALL RIGHTS OF DESIGN AND INVENTION ARE RESERVED THIS IS AN ELECTRONICALLY GENERATED DOCUMENT - DO NOT SCALE THIS PRINT										A	EE7308		5

Regal Beloit America, Inc.

TITLE CONNECTION DIAGRAM
3Ø - DUAL VOLTAGE MOTOR

MAT'L.

FINISH

DRAWN RM 11/20/1990

CHK ML 11/21/1990

APPD SAS 04/24/2003

SCALE 1=1

REF

FMF

PREV

Date: 1/31/2018

122096.00



Data @ 460 V

Motor Load Data								
Load	0%	25%	50%	75%	100%	115%	125%	LR
Current (Amps)	0.82	0.90	1.20	1.50	1.90	2.20	2.30	18.6
Torque (ft-lb)	0.00	0.55	1.10	1.68	2.25	2.60	2.80	6.8
RPM	3600	3580	3560	3540	3515	3505	3495	0
Efficiency (%)		79.6	86.6	88.3	86.5	86.5	86.5	
P.F. (%)	14.3	47.2	67.6	78.7	84.0	86.5	87.5	62.5

Motor Speed Data						Information Block																				
Speed (RPM)	LR	Pull-Up	BD	Rated	Idle	HP	Sync. RPM	Frame	Enclosure	Construction	Voltage	Frequency	Design	LR Code letter	Service Factor	Temp Rise @ FL	Duty	Ambient	Elevation	Rotor/Shaft wk ²	Ref Wdg	Sound Pressure @ 1M	VFD Rating	Outline Dwg	Conn. Diag	Additional Specifications:
0		215	2700	3515	3600	1.5	3600	143	DP	TDR	230/460#190/380	60	A	L	1.15	20	CONT	40 °C	1,000 feet	Z12168 DR		68	CONSTANT 2:1	A-100231-856	A-EE7308	
Current (Amps)	18.6	18.7	11.7	1.90	0.82																					
Torque (ft-lb)	6.8	5.7	10.0	2.25	0.00																					

EQUIV CKT (OHMS / PHASE)					
R1	R2	X1	X2	Xm	
5.2950	3.7820	9.2650	9.4550	359.2900	

