

# PRODUCT INFORMATION PACKET



Model No: C143T17DC20AA

Catalog No: 122094.00

..1HP..1800RPM.143JP.ODP.230/460V.3PH.60/50HZ.CONT.40C..C-FACE.....  
JP



Regal and Leeson are trademarks of Regal Beloit Corporation or one of its affiliated companies.

©2018 Regal Beloit Corporation, All Rights Reserved. MC017097E





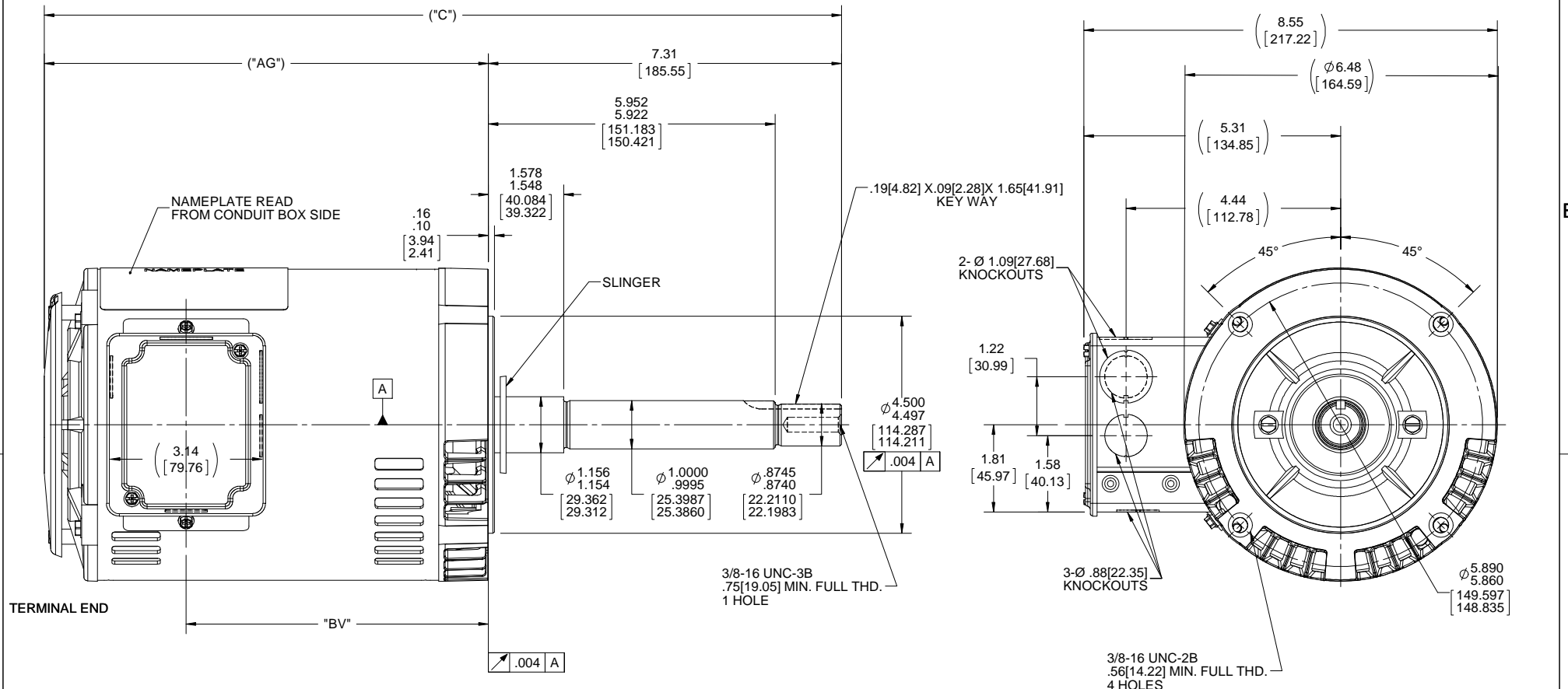
### Nameplate Specifications

Output HP	1 Hp	Output KW	0.75 kW
Frequency	60 Hz	Voltage	230/460 V
Current	3.0/1.5 A	Speed	1760 rpm
Service Factor	1.15	Phase	3
Efficiency	85.5 %	Duty	Continuous
Insulation Class	F	Design Code	B
KVA Code	N	Frame	143JPV
Enclosure	Drip Proof	Overload Protector	No
Ambient Temperature	40 °C	Drive End Bearing Size	6206
Opp Drive End Bearing Size	6203	UL	Recognized
CSA	Y	CE	N
IP Code	22		

### Technical Specifications

Electrical Type	Squirrel Cage Inverter Rated	Starting Method	Line Or Inverter
Poles	4	Rotation	Reversible
Mounting	Round	Motor Orientation	HORIZONTAL OR SHAFT DOWN
Drive End Bearing	BALL	Opp Drive End Bearing	BALL
Frame Material	Rolled Steel	Shaft Type	JP
Overall Length	18.48 in	Frame Length	9.06 in
Shaft Diameter	1.000 in	Shaft Extension	7.31 in
Assembly/Box Mounting	F1 ONLY		
Outline Drawing	A-100231-906	Connection Diagram	A-EE7308

This is an uncontrolled document once printed or downloaded and is subject to change without notice. Date Created: 10/15/2018



NOTE:  
CONDUIT BOX CAN BE ROTATED IN 180° STEPS.

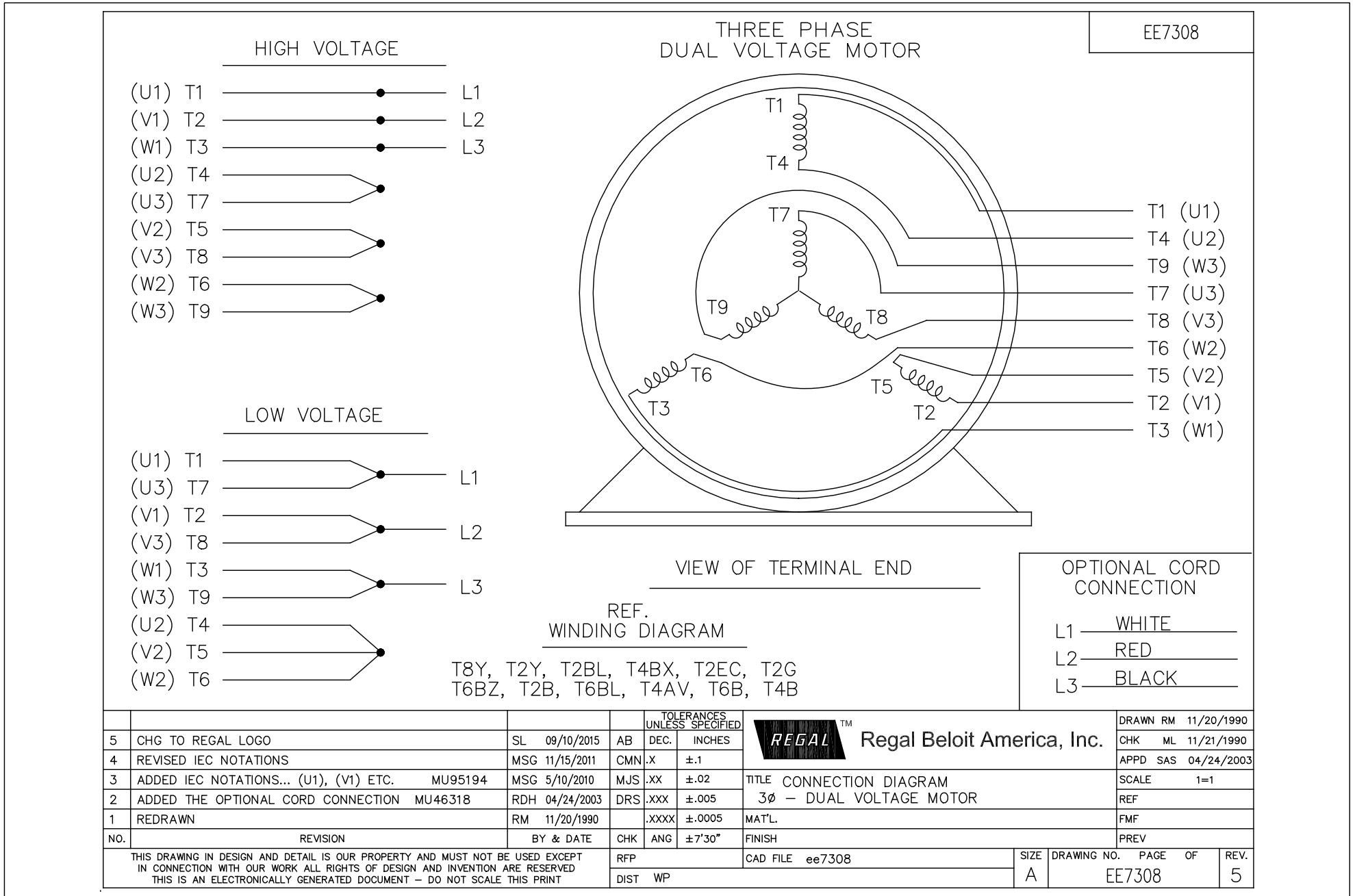
DASH NO.	"C"	"AG"	"BV"
656	15.99[406.14]	8.69[220.72]	5.75[146.05]
706	16.49[418.84]	9.19[233.42]	6.25[158.75]
756	16.99[431.54]	9.69[246.12]	6.75[171.45]
806	17.49[444.24]	10.19[258.82]	7.25[184.15]
856	17.99[456.94]	10.69[271.52]	7.75[196.85]
906	18.49[469.64]	11.19[284.22]	8.25[209.55]

DRAWING REVISION H	REVISION BY A. KEETHA	DATE 02/12/2018
ECO ECO-0143026	APPROVED BY PST	DATE 04/11/2018
ECO DESCRIPTION OUTLINE CONVERSION PROJECT		
<small>COPYRIGHT REGAL BELOIT AMERICA, INC. ALL RIGHTS RESERVED.          PROPRIETARY AND CONFIDENTIAL INFORMATION - THIS DOCUMENT IS THE PROPERTY OF          REGAL BELOIT AMERICA, INC. ("OWNER") AND CONTAINS OWNER'S PROPRIETARY          INFORMATION. ANY PERSON, CORPORATION OR OTHER FIRM RECEIVING IT IS DEEMED,          BY RECEIVING IT, TO AGREE THAT IT, AND/OR ANY PART OF IT, SHALL NOT BE DISCLOSED          TO ANY PERSON, CORPORATION OR OTHER ENTITY, DUPLICATED, AND/OR USED, EXCEPT          AS EXPRESSLY APPROVED IN WRITING IN ADVANCE BY OWNER. THIS DOCUMENT SHALL          BE RETURNED TO OWNER UPON REQUEST. IT MAY BE SUBJECT TO CERTAIN          RESTRICTIONS UNDER APPLICABLE EXPORT CONTROL LAWS AND REGULATIONS.</small>		

TOLERANCES UNLESS OTHERWISE SPECIFIED:		
DEC.	INCH	mm
.X	+0.1	[+2.5]
.XX	+0.03	[+0.76]
.XXX	+0.005	[+0.127]
.XXXX	+0.0005	[+0.0127]
REMOVE BURRS & BREAK SHARP EDGES: .003/.015 [0.076/.381] X 45° CORNER FILLETS: R.02 [51]		
MACHINED SURFACES: 200 INCH 5.1 mm		

DRAWN BY BRH	DATE 10-24-1995
APPROVED BY GK	DATE 11-16-1995
REFERENCE 100231	THIRD ANGLE PROJECTION

Regal Beloit America, Inc.	
DESCRIPTION OUTLINE 140 FRAME-BB-DR-PR-3Ø-C'FACE-JP EXT	
MATERIAL	PROCESS/FINISH
SIZE B	DRAWING NUMBER 100231
SHEET 1 OF 1	



Data Sheet

Date: 1/22/2018

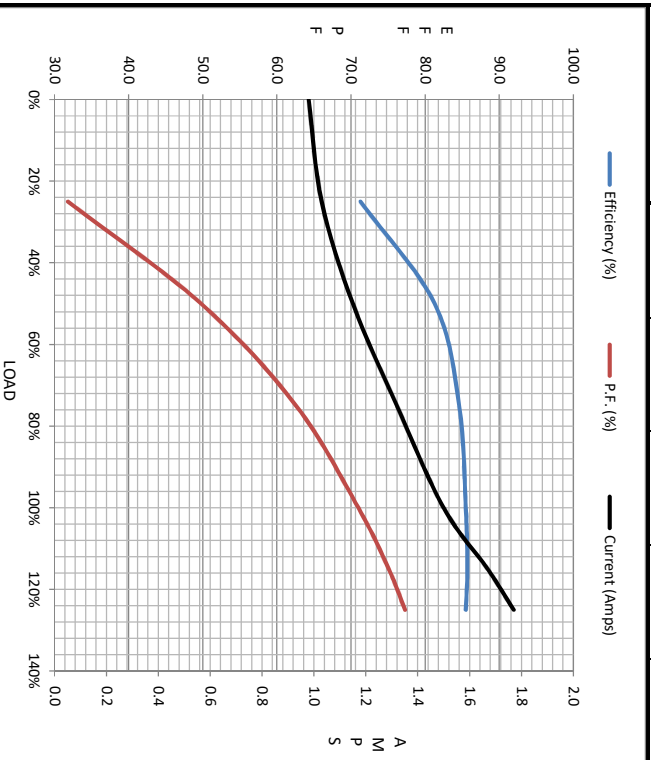
122094.00



Data @ 460 V

Motor Load Data						
Load	0%	25%	50%	75%	100%	LR
Current (Amps)	0.98	1.03	1.15	1.32	1.50	14.5
Torque (ft-lb)	0.00	0.73	1.47	2.22	3.0	11.2
RPM	1800	1790	1781	1772	1760	0
Efficiency (%)		71.3	81.3	84.6	85.5	
P.F. (%)	11.1	31.8	49.8	62.6	71.0	73.4

Motor Speed Data						Information Block																													
LR	Pull-Up	BD	Rated	Idle		HP	Sync. RPM	Frame	Enclosure	Construction	Voltage	Frequency	Design	LR Code letter	Service Factor	Temp Rise @ FL	Duty	Ambient	Elevation	Rotor/Shaft wk <sup>2</sup>	Rel Wdg	Sound Pressure @ 1M	VFD Rating	Outline Dwg	Conn. Diag	Additional Specifications:	EQUIV CKT (OHMS / PHASE)	R1	R2	X1	X2	Xm			
0	120	1285	1760	1800		1.0	1800	143	DP	TDR	230/460#190/380	60	A	N	1.15	21	CONT	40 °C	1,000	0.12	NONE	56	CONSTANT 2:1	A-100231-906	A-EE7308		0.0000	0.0000	0.0000	0.0000	0.0000				
Current (Amps)	14.5	13.0	9.8	1.50	0.98																														
Torque (ft-lb)	11.2	10.0	15.4	3.0	0.00																														



LR	Pull-Up	BD	Rated	Idle
0	120	1285	1760	1800
Current (Amps)	14.5	13.0	9.8	1.50
Torque (ft-lb)	11.2	10.0	15.4	3.0

