

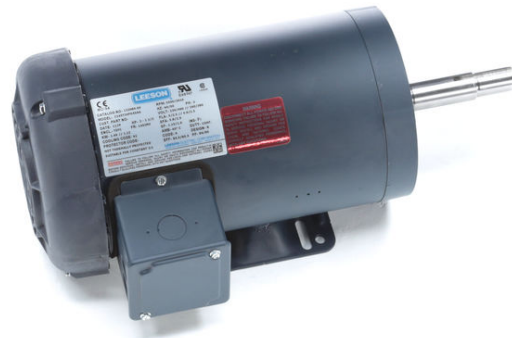
PRODUCT INFORMATION PACKET



Model No: C145T34FK45AA

Catalog No: 122089.00

..2HP..3600RPM.145JMV.TEFC.230/460V.3PH.60HZ.CONT.40C..RIGID C FACE.....JM PUMP.....
JM



Regal and Leeson are trademarks of Regal Beloit Corporation or one of its affiliated companies.

©2018 Regal Beloit Corporation, All Rights Reserved. MC017097E





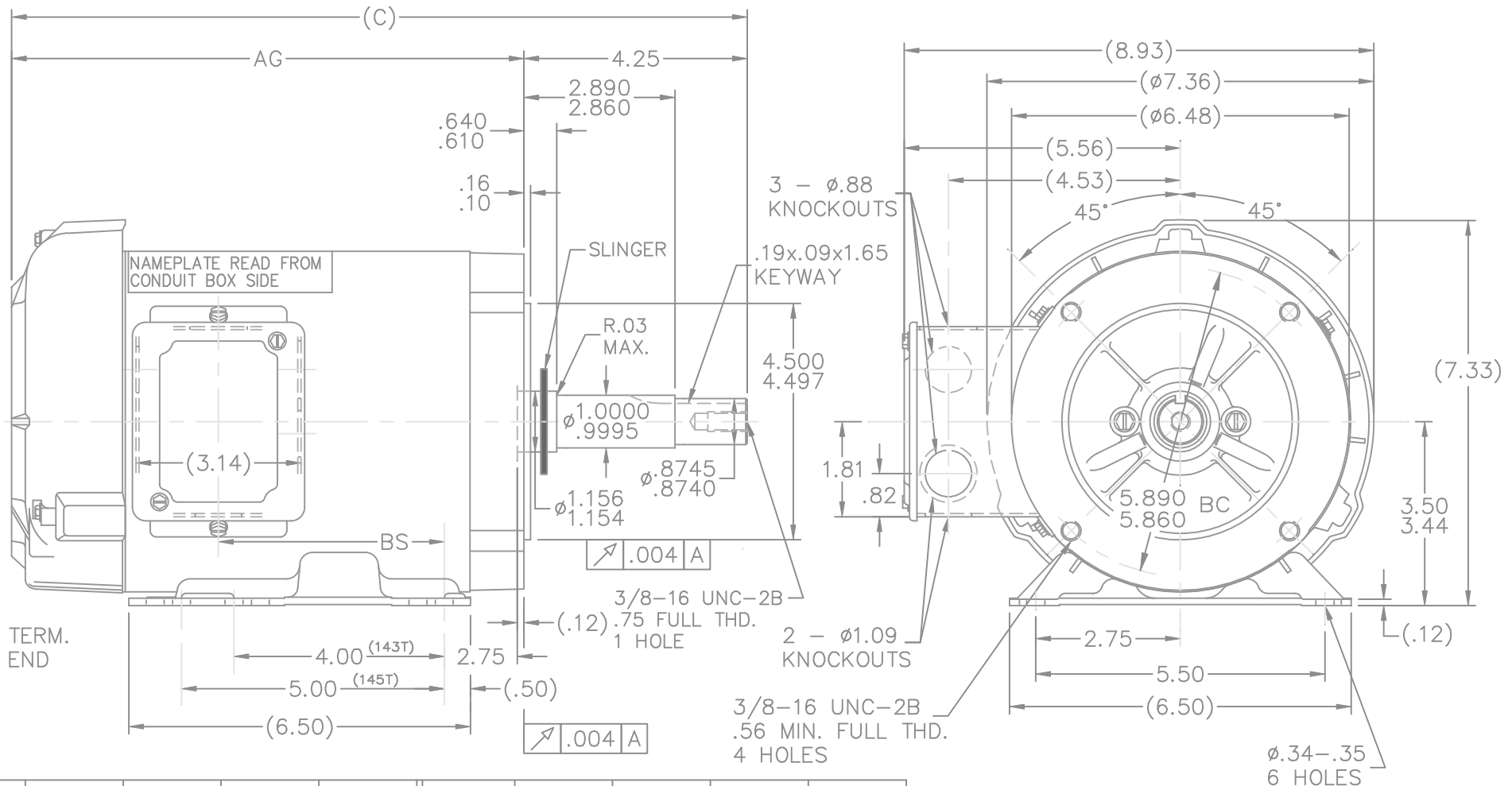
Nameplate Specifications

Output HP	2 Hp	Output KW	1.5 kW
Frequency	60 Hz	Voltage	230/460 V
Current	5.0/2.5 A	Speed	3500 rpm
Service Factor	1.15	Phase	3
Efficiency	85.5 %	Duty	Continuous
Insulation Class	F	Design Code	B
KVA Code	K	Frame	145JMV
Enclosure	Totally Enclosed Fan Cooled	Overload Protector	No
Ambient Temperature	40 °C	Drive End Bearing Size	6206
Opp Drive End Bearing Size	6203	UL	Recognized
CSA	Y	CE	Y
IP Code	43		

Technical Specifications


Electrical Type	Squirrel Cage Inverter Rated	Starting Method	Line Or Inverter
Poles	2	Rotation	Reversible
Mounting	Rigid base	Motor Orientation	HORIZONTAL OR SHAFT DOWN
Drive End Bearing	BALL	Opp Drive End Bearing	BALL
Frame Material	Rolled Steel	Shaft Type	JM
Overall Length	16.50 in	Frame Length	9.06 in
Shaft Diameter	0.875 in	Shaft Extension	4.21 in
Assembly/Box Mounting	F1 ONLY		
Outline Drawing	A-100133LE-906	Connection Diagram	A-EE7308-LE

This is an uncontrolled document once printed or downloaded and is subject to change without notice. Date Created: 10/15/2018



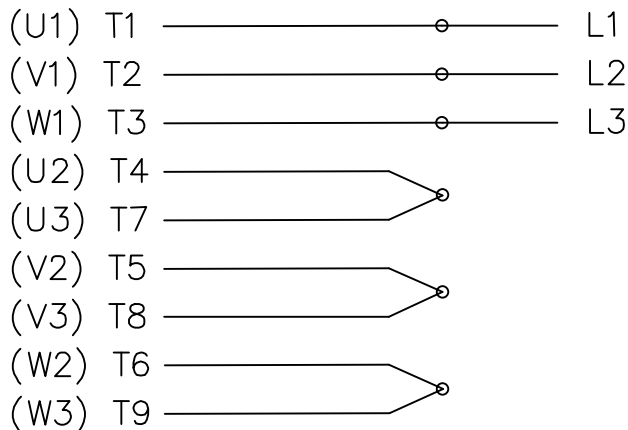
DASH	FR	C	AG	BS	DASH	FR	C	AG	BS
706	140T	14.50	10.25	3.44	856	140T	16.00	11.75	4.94
756	140T	15.00	10.75	3.94	906	140T	16.50	12.25	5.44
806	140T	15.50	11.25	4.44	956	140T	17.00	12.75	5.94

NOTE:
'C'BOX CAN BE ROTATED 180°

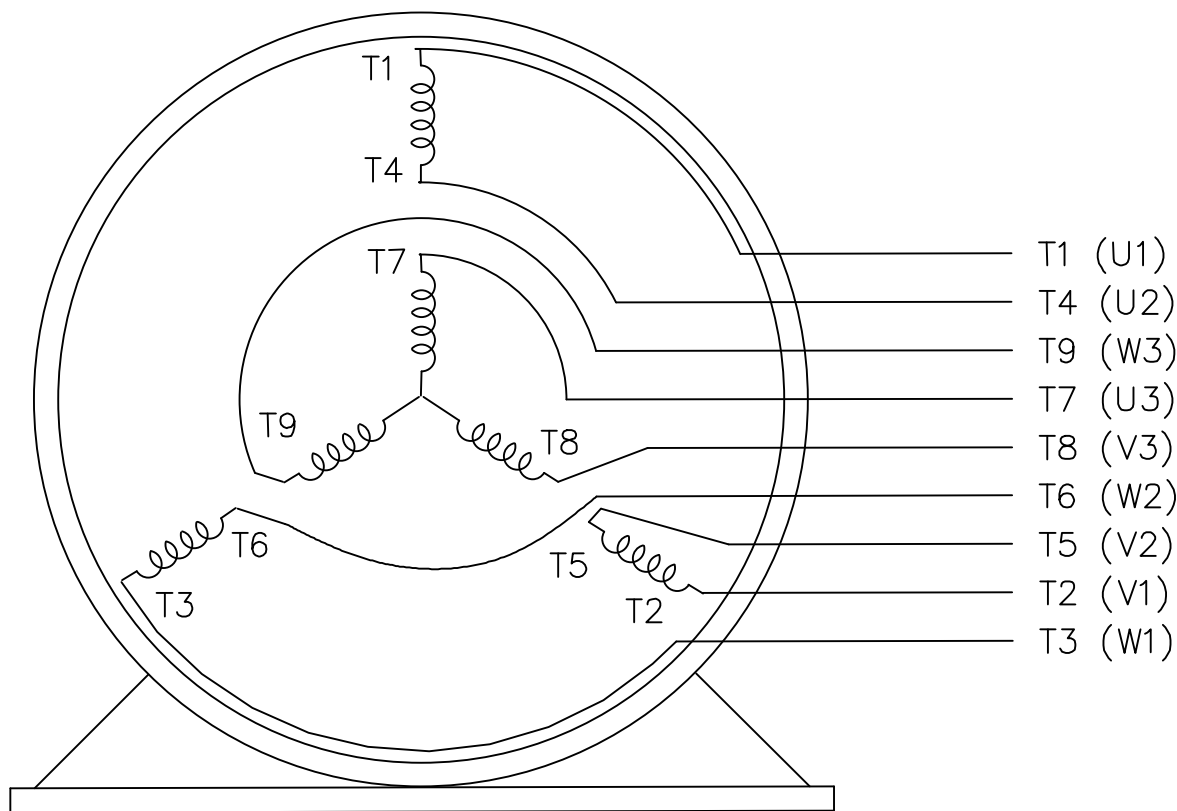
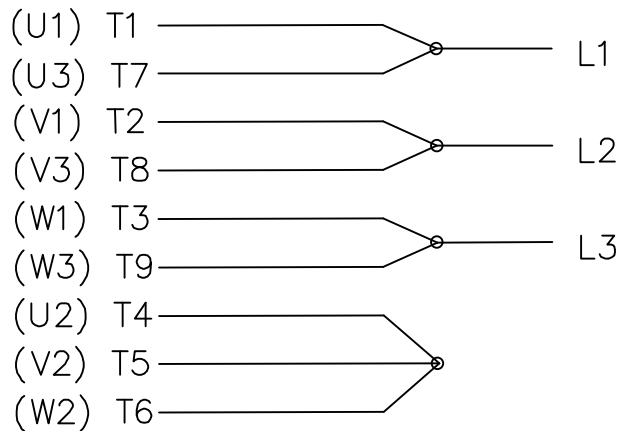
				TOLERANCES UNLESS SPECIFIED		 ELECTRIC MOTORS GEARMOTORS AND DRIVES	DRAWN DRS 08-03-2004					
				DEC.	INCHES		CHK	ML 08-04-2004				
				.X	±.1		APPD	GK 08-04-2004				
				.XX	±.03		SCALE	11=32				
				.XXX	±.005		REF					
				.XXX	±.005	TITLE	OUTLINE JM EXT.					
				.XXXX	±.0005	140 FR. - TEFC - 355C - BB - 'C' FACE						
				ANG	±7'30"	MAT'L.	FMF					
				FINISH		PREV						
NO.	REVISION			BY & DATE	CHK	ANG	FINISH	SIZE	DRAWING NO.	PAGE	OF	REV.
THIS DRAWING IN DESIGN AND DETAIL IS OUR PROPERTY AND MUST NOT BE USED EXCEPT IN CONNECTION WITH OUR WORK ALL RIGHTS OF DESIGN AND INVENTION ARE RESERVED THIS IS AN ELECTRONICALLY GENERATED DOCUMENT - DO NOT SCALE THIS PRINT				RFP	08-04-2004	CAD FILE	100133LE	A	100133LE			
				DIST	WP							

THREE PHASE
DUAL VOLTAGE MOTOR

HIGH VOLTAGE




LOW VOLTAGE



VIEW OF TERMINAL END

REF.
WINDING DIAGRAM

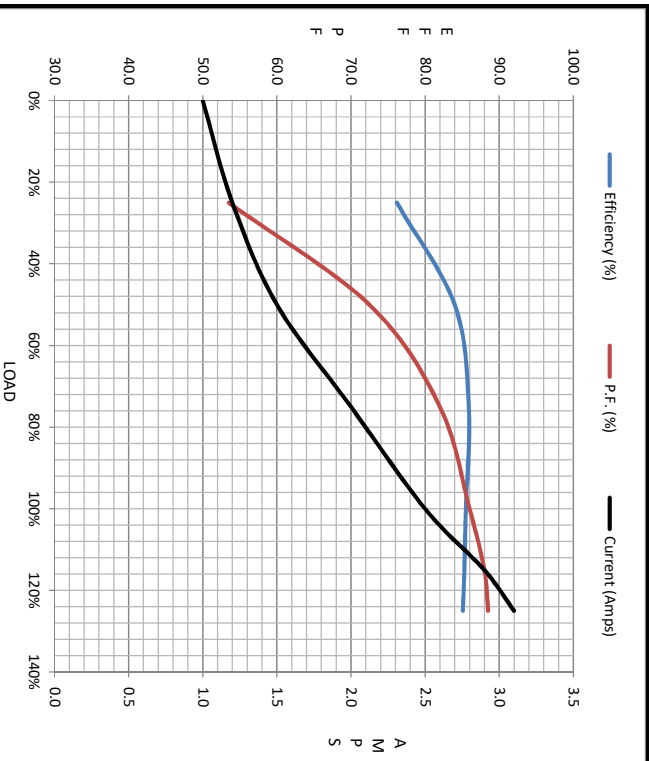
T8Y, T2Y, T2BL, T4BX, T2EC, T2G
T6BZ, T2B, T6BL, T4AV, T6B, T4B

		TOLERANCES UNLESS SPECIFIED			ELECTRIC MOTORS GEARMOTORS AND DRIVES	DRAWN HLB 04-29-2002			
		DEC.	INCHES			CHK	ML	05-03-2002	
			.X	±.1	TITLE CONNECTION DIAGRAM 3Ø - DUAL VOLTAGE MOTOR	APPD	GK	05-03-2002	
			.XX	±.01		SCALE	1=1		
2	ADDED IEC NOTATIONS... (U1), (V1) ETC. (MU105786)	REP 01-11-2012	DR .XXX	±.005		REF			
1	NEW DRAWING	HLB 05-03-2002	ML .XXXX	±.0005	MAT'L.	FMF			
NO.	REVISION	BY & DATE	CHK	ANG ±1/2'	FINISH	PREV			
THIS DRAWING IN DESIGN AND DETAIL IS OUR PROPERTY AND MUST NOT BE USED EXCEPT IN CONNECTION WITH OUR WORK ALL RIGHTS OF DESIGN AND INVENTION ARE RESERVED THIS IS AN ELECTRONICALLY GENERATED DOCUMENT - DO NOT SCALE THIS PRINT			RFP		CAD FILE EE7308-LE	SIZE	DRAWING NO.	PAGE OF	REV.
			DIST	LB-WP		A	EE7308-LE		2



Motor Load Data								
Load	0%	25%	50%	75%	100%	115%	125%	LR
Current (Amps)	1.00	1.20	1.50	2.00	2.50	2.90	3.1	21.7
Torque (ft-lb)	0.00	0.74	1.48	2.23	3.0	3.5	3.8	9.5
RPM	3600	3575	3550	3525	3500	3485	3470	0
Efficiency (%)		76.2	84.0	85.9	85.5	85.3	85.1	
P.F. (%)	20.0	53.5	72.5	82.0	86.0	88.0	88.5	42.0

Motor Speed Data						Information Block																					
	LR	Pull-Up	BD	Rated	Idle	HP	Sync. RPM	Frame	Enclosure	Construction	Voltage	Frequency	Design	LR Code letter	Service Factor	Temp Rise @ FL	Duty	Ambient	Elevation	Rotor/Shaft wk ²	Ref Wdg	Sound Pressure @ 1M	VFD Rating	Outline Dwg	Conn. Diag	Additional Specifications:	
Speed (RPM)	0	1500	2615	3500	3600	2.0	3600	145	TEFC	TFR	230/460#190/380	60	B	K	1.15	36	CONT	40 °C	1,000	0.07	Z12142 FR	69	CONSTANT 2:1	A-100139LE-906	A-EE7308-REGAL		
Current (Amps)	21.7	20.5	14.5	2.50	1.00																						
Torque (ft-lb)	9.5	9.4	12.2	3.0	0.00																						



EQUIV CKT (OHMS / PHASE)			
R1	R2	X1	Xm
4.4020	3.1240	6.5320	5.5380
			208/7400

