

PRODUCT INFORMATION PACKET



Model No: C143T34FK17AA

Catalog No: 122085.00

..1.5HP..3600RPM.143JMV.TEFC.230/460V.3PH.60HZ.CONT.40C..RIGID C FACE.....JM PUMP.....
JM



Regal and Leeson are trademarks of Regal Beloit Corporation or one of its affiliated companies.

©2018 Regal Beloit Corporation, All Rights Reserved. MC017097E





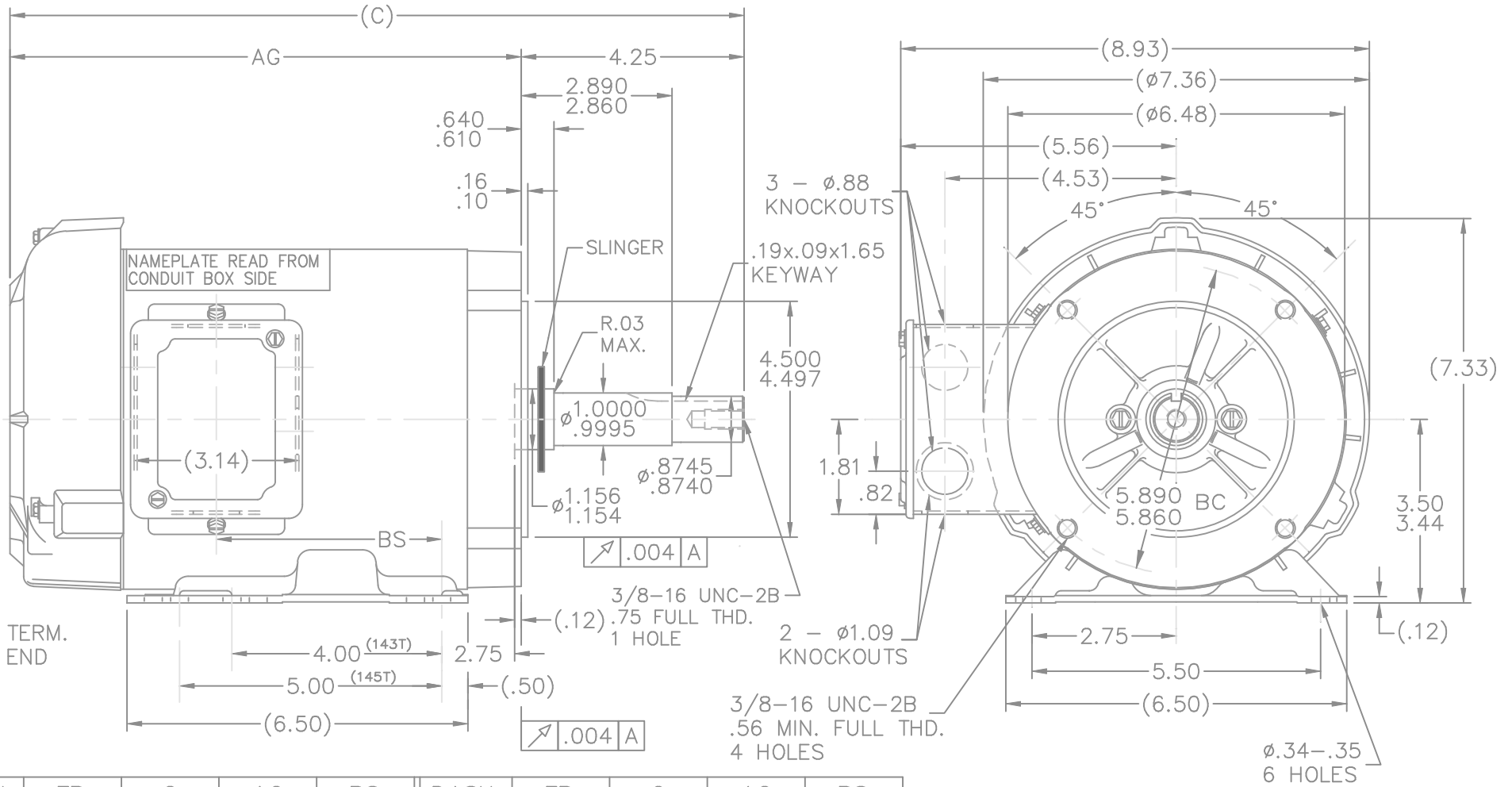
Nameplate Specifications

Output HP	1.50 Hp	Output KW	1.1 kW
Frequency	60 Hz	Voltage	230/460 V
Current	4.0/2.0 A	Speed	3515 rpm
Service Factor	1.15	Phase	3
Efficiency	84 %	Duty	Continuous
Insulation Class	F	Design Code	B
KVA Code	M	Frame	143JMV
Enclosure	Totally Enclosed Fan Cooled	Overload Protector	No
Ambient Temperature	40 °C	Drive End Bearing Size	6206
Opp Drive End Bearing Size	6203	UL	Recognized
CSA	Y	CE	Y
IP Code	43		

Technical Specifications


Electrical Type	Squirrel Cage Inverter Rated	Starting Method	Line Or Inverter
Poles	2	Rotation	Reversible
Mounting	Rigid base	Motor Orientation	HORIZONTAL OR SHAFT DOWN
Drive End Bearing	BALL	Opp Drive End Bearing	BALL
Frame Material	Rolled Steel	Shaft Type	JM
Overall Length	15.50 in	Frame Length	8.06 in
Shaft Diameter	0.875 in	Shaft Extension	4.28 in
Assembly/Box Mounting	F1 ONLY		
Outline Drawing	A-100133LE-806	Connection Diagram	A-EE7308-LE

This is an uncontrolled document once printed or downloaded and is subject to change without notice. Date Created: 10/15/2018



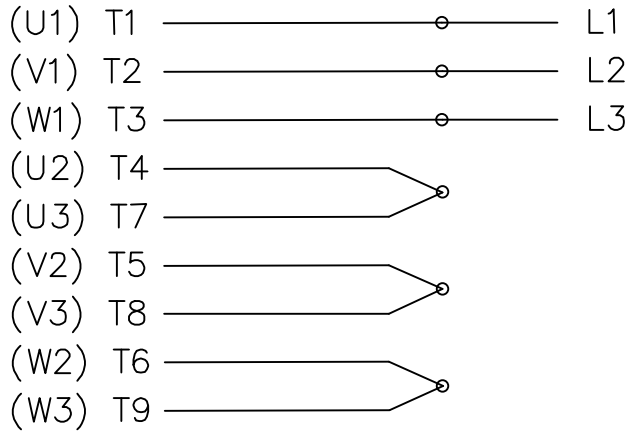
DASH	FR	C	AG	BS	DASH	FR	C	AG	BS
706	140T	14.50	10.25	3.44	856	140T	16.00	11.75	4.94
756	140T	15.00	10.75	3.94	906	140T	16.50	12.25	5.44
806	140T	15.50	11.25	4.44	956	140T	17.00	12.75	5.94

NOTE:
'C'BOX CAN BE ROTATED 180°

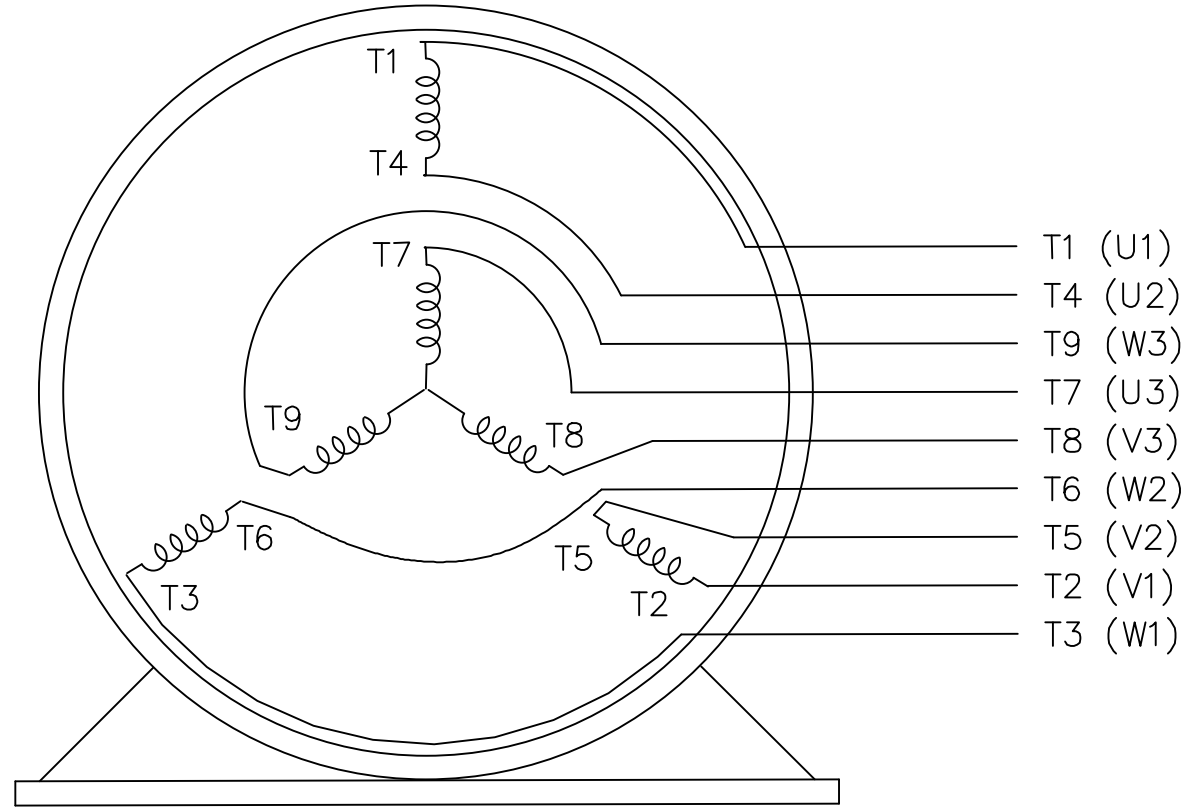
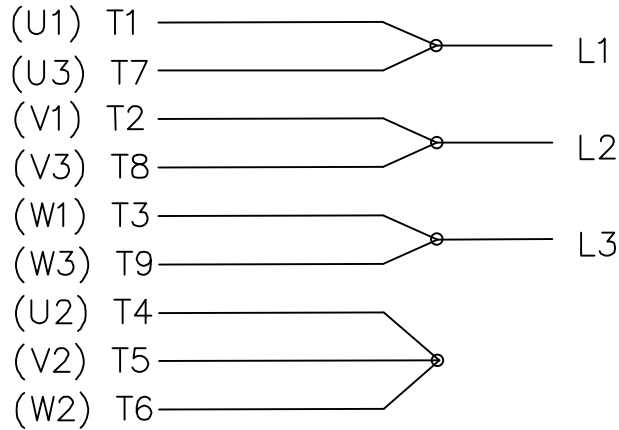
				TOLERANCES UNLESS SPECIFIED		 ELECTRIC MOTORS GEARMOTORS AND DRIVES	DRAWN DRS 08-03-2004						
				DEC.	INCHES		CHK	ML 08-04-2004					
				.X	±.1		APPD	GK 08-04-2004					
				.XX	±.03		SCALE	11=32					
				.XXX	±.005		REF						
				.XXX	±.005	TITLE	OUTLINE JM EXT.						
				.XXXX	±.0005	140 FR. - TEFC - 355C - BB - 'C' FACE							
				ANG	±7'30"	MAT'L.							
NO.	REVISION			BY & DATE	CHK	FINISH	PREV						
THIS DRAWING IN DESIGN AND DETAIL IS OUR PROPERTY AND MUST NOT BE USED EXCEPT IN CONNECTION WITH OUR WORK ALL RIGHTS OF DESIGN AND INVENTION ARE RESERVED THIS IS AN ELECTRONICALLY GENERATED DOCUMENT - DO NOT SCALE THIS PRINT				RFP	08-04-2004	CAD FILE	100133LE		SIZE	DRAWING NO.	PAGE	OF	REV.
				DIST	WP	A	100133LE						

THREE PHASE
DUAL VOLTAGE MOTOR

HIGH VOLTAGE



LOW VOLTAGE



VIEW OF TERMINAL END

REF.
WINDING DIAGRAM

T8Y, T2Y, T2BL, T4BX, T2EC, T2G
T6BZ, T2B, T6BL, T4AV, T6B, T4B

		TOLERANCES UNLESS SPECIFIED		LEESON	ELECTRIC MOTORS GEARMOTORS AND DRIVES	DRAWN HLB 04-29-2002			
		DEC.	INCHES			CHK	ML	05-03-2002	
			.X	±.1	TITLE CONNECTION DIAGRAM 3Ø - DUAL VOLTAGE MOTOR	APPD	GK	05-03-2002	
			.XX	±.01		SCALE	1=1		
2	ADDED IEC NOTATIONS... (U1), (V1) ETC. (MU105786)	REP 01-11-2012	DR .XXX	±.005		REF			
1	NEW DRAWING	HLB 05-03-2002	ML .XXXX	±.0005	MAT'L.	FMF			
NO.	REVISION	BY & DATE	CHK	ANG ±1/2'	FINISH	PREV			
THIS DRAWING IN DESIGN AND DETAIL IS OUR PROPERTY AND MUST NOT BE USED EXCEPT IN CONNECTION WITH OUR WORK ALL RIGHTS OF DESIGN AND INVENTION ARE RESERVED THIS IS AN ELECTRONICALLY GENERATED DOCUMENT - DO NOT SCALE THIS PRINT			RFP		CAD FILE EE7308-LE	SIZE	DRAWING NO.	PAGE OF	REV.
			DIST	LB-WP		A	EE7308-LE		2



1051 CHEYENNE AVE.
 GRAFTON, WI 53024
 PH. 262-377-8810

CERTIFICATION DATA SHEET

CATALOG #: 122085.00

CONN. DIAGRAM: A-EE7308-LE

MOUNTING: F1 ONLY

OUTLINE: A-100133LE-806

WINDING #: ZT2141 R1 1

TYPICAL MOTOR PERFORMANCE DATA

HP	KW	SYNC. RPM	F.L. RPM	FRAME	ENCLOSURE	KVA CODE	DESIGN
1 1/2&1	1.12&0.75	3600	3515&2935	143JMV	TEFC	M	B

PH	Hz	VOLTS	AMPS	START TYPE	DUTY	INSL	S.F.	AMB°C
3	60/50	230/460&190/380	4/2&3.4/1.7	LINE OR INVERTER	CONTINUOUS	F3	1.15/1.0	40

FULL LOAD EFF:	84&85.5	3/4 LOAD EFF:	84.8	1/2 LOAD EFF:	82.3	GTD. EFF	82.5	ELEC. TYPE
FULL LOAD PF:	83.5&79	3/4 LOAD PF:	77.8	1/2 LOAD PF:	67.2			SQ CAGE INV RATED

F.L. TORQUE	LOCKED ROTOR AMPS	L.R. TORQUE	B.D. TORQUE	F.L. RISE°C
2.2 LB-FT	38.8 / 19.4	7.3 LB-FT 332 %	9.6 LB-FT 435 %	38

SOUND PRESSURE @ 3 FT.	SOUND POWER	ROTOR WK^2	MAX. WK^2	SAFE STALL TIME	STARTS / HOUR	APPROX. MOTOR WGT
69 DBA	79 DBA	0.045 LB-FT^2	3 LB-FT^2	20 SEC.	2	55 LBS.

*** SUPPLEMENTAL INFORMATION ***

DE BRACKET TYPE	ODE BRACKET TYPE	MOUNT TYPE	ORIENTATION	SEVERE DUTY	HAZARDOUS LOCATION	DRIP COVER	SCREENS	PAINT
C-FACE	STANDARD	RIGID	HORIZONTAL OR SHAFT DOWN	FALSE	NONE	PROVISIONS ONLY	NONE	BLUE (POWDER)

BEARINGS	GREASE	SHAFT TYPE	SPECIAL DE	SPECIAL ODE	SHAFT MATERIAL	FRAME MATERIAL
DE BALL 6206	BALL POLYREX EM	JM	NONE	NONE	1144 STRESSPROOF (C-223)	ROLLED STEEL

THERMO-PROTECTORS				THERMISTORS	CONTROL	SPACE HEATERS
THERMOSTATS	PROTECTORS	WDG RTDS	BRG RTDS	NONE	FALSE	NONE
NONE	NOT	NONE	NONE	NONE <td>FALSE <td>NONE </td></td>	FALSE <td>NONE </td>	NONE

* INVERTER TORQUE: CONSTANT 2:1
 INV. HP SPEED RANGE: NONE

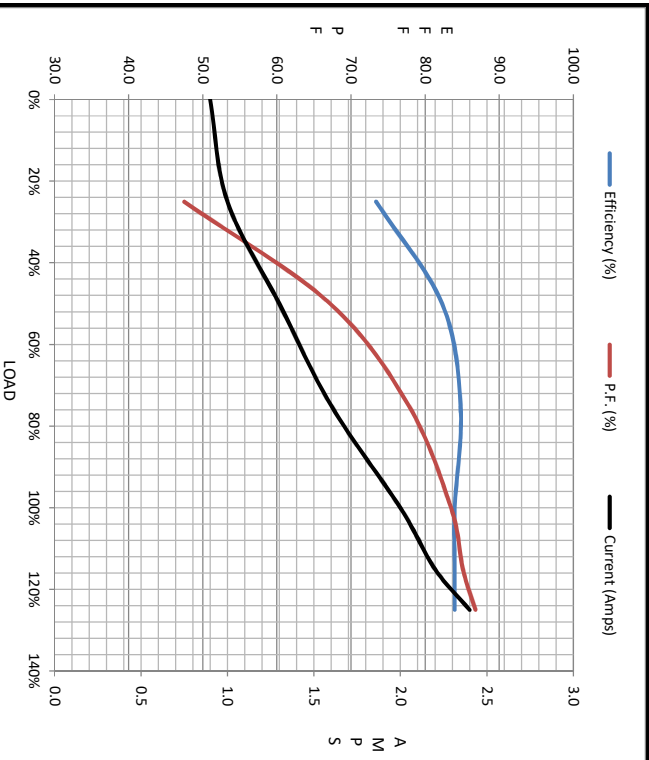
ENCODER: NONE
 NONE NONE
 NONE NONE PPR

BRAKE: NONE NONE
 NONE P/N NONE
 NONE NONE
 NONE FT-LB NONE V NONE HZ



Motor Load Data								
Load	0%	25%	50%	75%	100%	115%	125%	LR
Current (Amps)	0.90	1.00	1.30	1.60	2.00	2.20	2.40	19.4
Torque (ft-lb)	0.00	0.60	1.10	1.70	2.20	2.60	2.80	7.3
RPM	3600	3575	3555	3535	3515	3500	3485	0
Efficiency (%)		73.4	82.3	84.8	84.0	84.0	84.0	
P.F. (%)	17.0	47.5	67.2	77.8	83.5	85.1	86.8	58.0

Motor Speed Data						Information Block																										
LR	Pull-Up	BD	Rated	Idle		HP	Sync. RPM	Frame	Enclosure	Construction	Voltage	Frequency	Design	LR Code letter	Service Factor	Temp Rise @ FL	Duty	Ambient	Elevation	Rotor/Shaft wk ²	Ref Wdg	Sound Pressure @ 1M	VFD Rating	Outline Dwg	Conn. Diag	Additional Specifications:	R1	R2	X1	X2	Xm	
0	650	2815	3515	3600		1.5	3600	143	TEFC	TFR	230/460#190/380	60	A	M	1.15	38	CONT	40 °C	1,000 feet	0.05	Z12141 R1	69	CONSTANT 2:1	A-100139LE-806	A-EE7308-LE		1.4190	0.9460	2.3180	2.1290	79.9370	
19.4	18.6	12.1	2.00	0.90																												
7.3	6.1	9.6	2.20	0.00																												



LR	Pull-Up	BD	Rated	Idle
0	650	2815	3515	3600
19.4	18.6	12.1	2.00	0.90
7.3	6.1	9.6	2.20	0.00

