

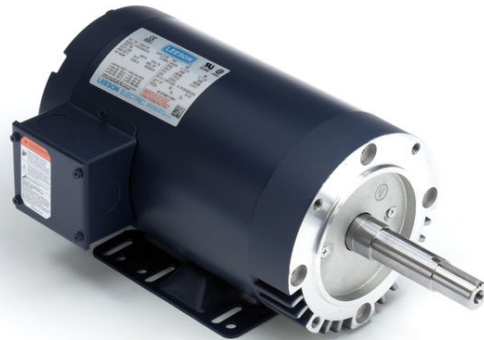
PRODUCT INFORMATION PACKET



Model No: C145T17DK27A

Catalog No: 122076.00

..1 1/2HP..1800RPM.145JM.DP.230/460V.3PH.60HZ.CONT.40C..RIGID C-FACE.....
JM



Regal and Leeson are trademarks of Regal Beloit Corporation or one of its affiliated companies.

©2018 Regal Beloit Corporation, All Rights Reserved. MC017097E





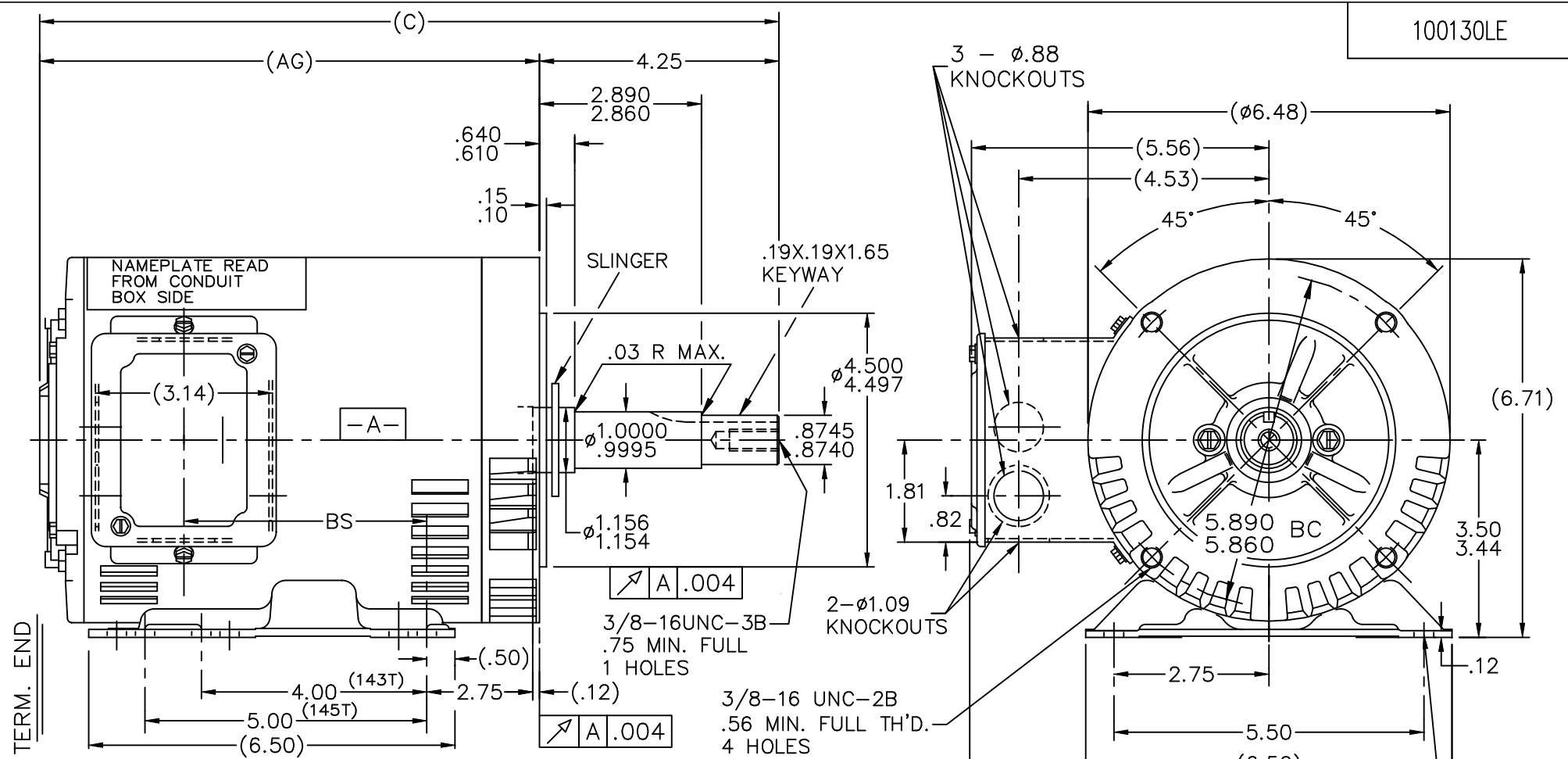
Nameplate Specifications

Output HP	1.50 Hp	Output KW	1.1 kW
Frequency	60 Hz	Voltage	230/460 V
Current	4.4/2.2 A	Speed	1755 rpm
Service Factor	1.15	Phase	3
Efficiency	86.5 %	Duty	Continuous
Insulation Class	F	Design Code	B
KVA Code	M	Frame	145JM
Enclosure	Drip Proof	Overload Protector	No
Ambient Temperature	40 °C	Drive End Bearing Size	6206
Opp Drive End Bearing Size	6203	UL	Recognized
CSA	Y	CE	Y
IP Code	22		


Technical Specifications

Electrical Type	Squirrel Cage Inverter Rated	Starting Method	Line Or Inverter
Poles	4	Rotation	Reversible
Mounting	Rigid base	Motor Orientation	HORIZONTAL
Drive End Bearing	BALL	Opp Drive End Bearing	BALL
Frame Material	Rolled Steel	Shaft Type	JM
Overall Length	15.12 in	Frame Length	9.06 in
Shaft Diameter	0.875 in	Shaft Extension	4.21 in
Assembly/Box Mounting	F1 ONLY		
Outline Drawing	A-100130LE-906	Connection Diagram	A-EE7308-LE

This is an uncontrolled document once printed or downloaded and is subject to change without notice. Date Created: 10/15/2018

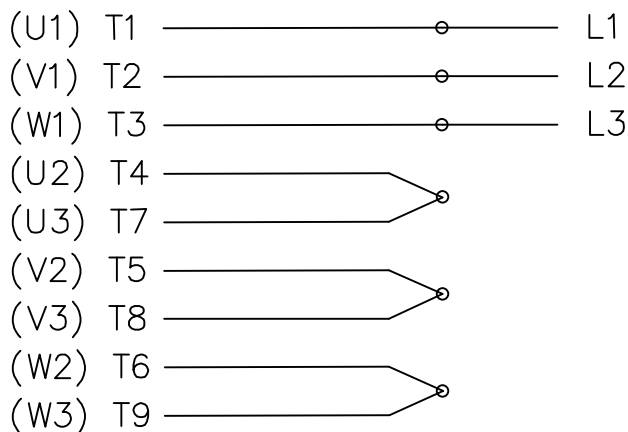


DASH	FR.	C	AG	BS	DASH	FR.	C	AG	BS
					806	140T	14.12	9.87	4.37
656	140T	12.62	8.37	2.87	856	140T	14.62	10.37	4.87
706	140T	13.12	8.87	3.37	906	140T	15.12	10.87	5.37
756	"	13.62	9.37	3.87	956	140T	15.62	11.37	5.87

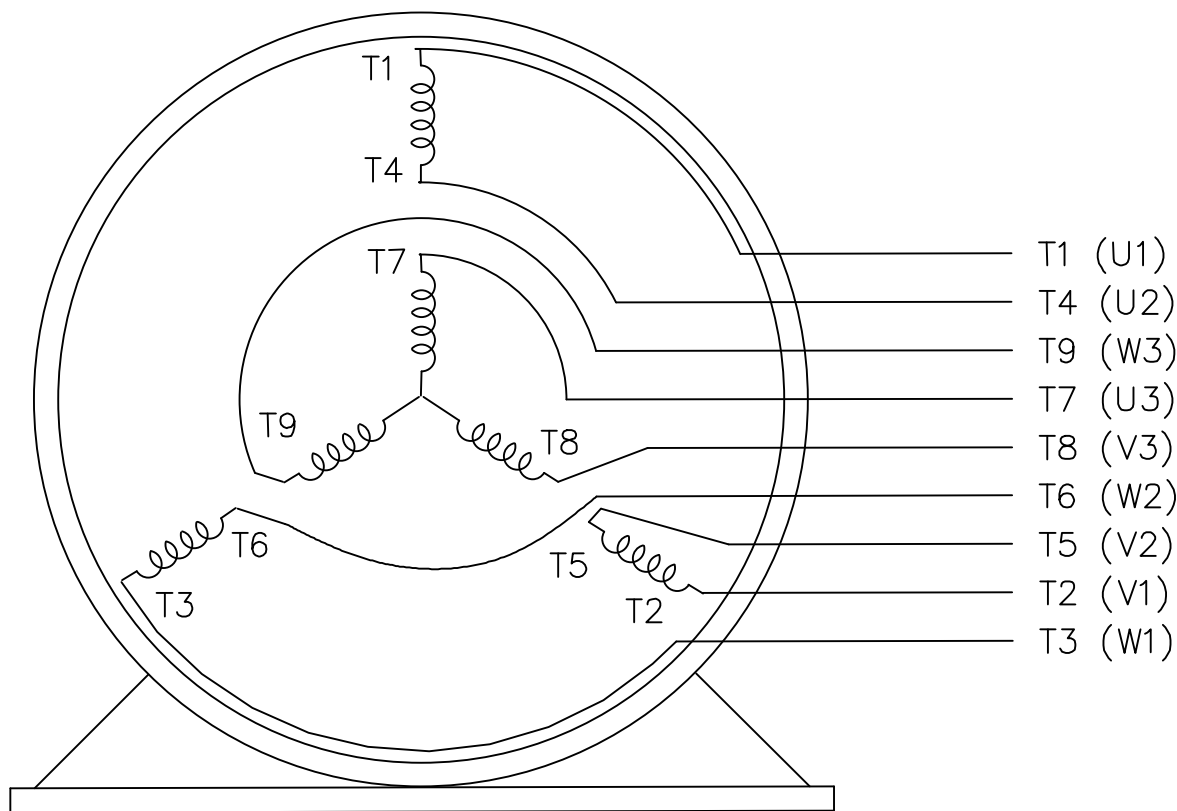
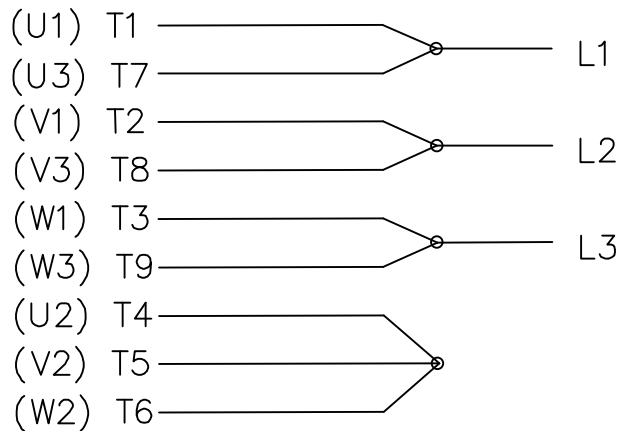
NO.		REVISION	BY & DATE	CHK	TOLERANCES UNLESS SPECIFIED		 ELECTRIC MOTORS GEARMOTORS AND DRIVES	DRAWN DRS 08-03-2004				
					DEC.	INCHES		CHK	ML 08-04-2004			
					.X	±.1		APPD	GK 08-04-2004			
					.XX	±.03		SCALE	3=8			
					.XXX	±.005		REF				
					.XXX <td>±.005 <td>TITLE OUTLINE</td> <td></td> </td>	±.005 <td>TITLE OUTLINE</td> <td></td>	TITLE OUTLINE					
					.XXXX <td>±.0005 <td>140 FR. - DR.PR. 3ϕ - C' FACE JM EXT.</td> <td></td> </td>	±.0005 <td>140 FR. - DR.PR. 3ϕ - C' FACE JM EXT.</td> <td></td>	140 FR. - DR.PR. 3 ϕ - C' FACE JM EXT.					
					ANG	±7'30"	MAT'L.	FMF				
							FINISH	PREV				
THIS DRAWING IN DESIGN AND DETAIL IS OUR PROPERTY AND MUST NOT BE USED EXCEPT IN CONNECTION WITH OUR WORK ALL RIGHTS OF DESIGN AND INVENTION ARE RESERVED THIS IS AN ELECTRONICALLY GENERATED DOCUMENT - DO NOT SCALE THIS PRINT				RFP	08-04-2004	CAD FILE	100130LE	SIZE	DRAWING NO.	PAGE	OF	REV.
				DIST	WP			A	100130LE			

THREE PHASE DUAL VOLTAGE MOTOR

HIGH VOLTAGE




LOW VOLTAGE



VIEW OF TERMINAL END

REF.
WINDING DIAGRAM

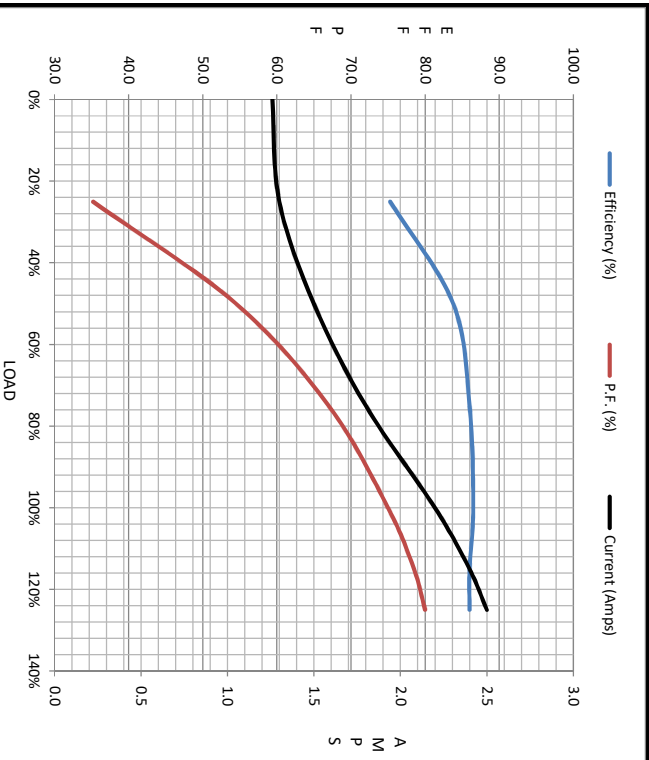
T8Y, T2Y, T2BL, T4BX, T2EC, T2G
T6BZ, T2B, T6BL, T4AV, T6B, T4B

				TOLERANCES UNLESS SPECIFIED			ELECTRIC MOTORS GEARMOTORS AND DRIVES	DRAWN HLB 04-29-2002		
				DEC.	INCHES			CHK	ML	05-03-2002
				.X	±.1			APPD	GK 05-03-2002	
				.XX	±.01	TITLE CONNECTION DIAGRAM 3Ø - DUAL VOLTAGE MOTOR		SCALE	1=1	
2	ADDED IEC NOTATIONS... (U1), (V1) ETC. (MU105786)	REP 01-11-2012	DR	.XXX	±.005			REF		
1	NEW DRAWING	HLB 05-03-2002	ML	.XXXX	±.0005	MAT'L.		FMF		
NO.	REVISION	BY & DATE	CHK	ANG	±1/2'	FINISH		PREV		
THIS DRAWING IN DESIGN AND DETAIL IS OUR PROPERTY AND MUST NOT BE USED EXCEPT IN CONNECTION WITH OUR WORK ALL RIGHTS OF DESIGN AND INVENTION ARE RESERVED THIS IS AN ELECTRONICALLY GENERATED DOCUMENT - DO NOT SCALE THIS PRINT				RFP		CAD FILE EE7308-LE		SIZE	DRAWING NO. PAGE OF	REV.
				DIST	LB-WP	A		EE7308-LE	2	



Motor Load Data						
Load	0%	25%	50%	75%	100%	LR
Current (Amps)	1.26	1.30	1.50	1.80	2.20	19.8
Torque (ft-lb)	0.00	1.10	2.20	3.4	4.5	16.7
RPM	1800	1788	1775	1755	1735	0
Efficiency (%)		75.3	83.8	86.0	86.5	
P.F. (%)	9.3	35.2	54.5	67.0	75.0	68.0

Motor Speed Data						Information Block																									
LR	Pull-Up	BD	Rated	Idle		HP	Sync. RPM	Frame	Enclosure	Construction	Voltage	Frequency	Design	LR Code letter	Service Factor	Temp Rise @ FL	Duty	Ambient	Elevation	Rotor/Shaft wk ²	Ref Wdg	Sound Pressure @ 1M	VFD Rating	Outline Dwg	Conn. Diag	Additional Specifications:	R1	R2	X1	X2	Xm
0	120	1220	1755	1800		1.5	1800	145	DP	TDR	230/460#190/380	60	A	M	1.15	28	CONT	40 °C	1,000 feet	0.00	NONE	56 dbA	CONSTANT 10:1	A-100130LE-906	A-EE7308-LE		0.0000	0.0000	0.0000	0.0000	0.0000



EQUIV CKT (OHMS / PHASE)					
R1	R2	X1	X2	Xm	
0.0000	0.0000	0.0000	0.0000	0.0000	

